

TOOY

2024



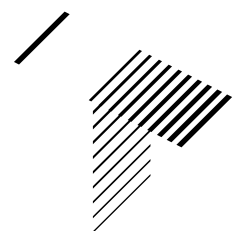
About

A light to give warmth, a light to give attention, a light to get lost in one's thoughts. Each reflection, a state of mind.

Fascinated by the infinite facets of light, the TOOY brand offers lighting that gives value to the experience of living in spaces through a wide and versatile range of products capable of telling a story.

Simple and extremely sophisticated at the same time, TOOY accessories go beyond the boundaries of décor with a strong and distinctive identity that is expressed with eloquence in domestic and contract contexts.

Chaired by Valeria Giacomozzi and Valerio Tildei, the TOOY brand pursues the perfect balance between aesthetic value and functionality. And it does so in a unique way, with a fresh look, identifying the most interesting global trends to translate them into the famous "know-how" that made "Made in Italy" great in the world.



Alphabetical Index

BILANCELLA

code: 512 | p. 6

EXCALIBUR

code: 559 | p. 10

FILIPA

code: 555 | p. 18

GORDON

code: 561 | p. 22

LEGIER

code: 557 | p. 38

LEI

code: 564 | p. 50

LILLY

code: 558 | p. 60

LINFA

code: 565 | p. 68

MACAO

code: 551 | p. 86

MOLLY

code: 556 | p. 90

MUSE

code: 554 | p. 104

NABILA

code: 552 | p. 114

NASTRO

code: 563 | p. 132

OSMAN

code: 560 | p. 158

QUADRANTE

code: 505 | p. 172

THULA

code: 562 | p. 178

TRATTI

code: 566 | p. 188

BILANCELLA

512.21 Pendant

Picture on page 45/48 of the catalogue

Design: Roberto Giacomucci

Description: Suspension, ceiling and wall lamp with a thin metal powder coated diffuser. The decentralize version has a versatile ceiling mounting system allowing to illuminate even in absence of electrical connection on the ceiling. In addition, the metal decentralizers allow the wire to slide to bring the light where it is needed. Thanks to its essential form, the light spreads evenly throughout the environment.

Materials: metal

Mounting: Pendant: cable length 150 cm. Canopy: Ø 13 cm included with bracket. Light source: Integrated LED.

Nt. Wt.: 3,3 kg

Class: Degree of protection IP40, insulation class 1.



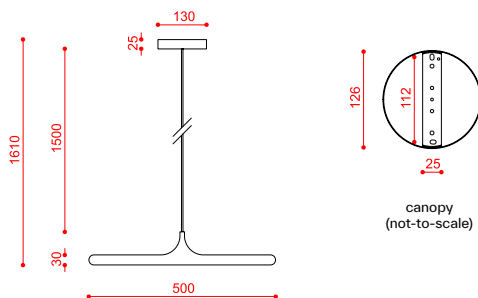
CE Ⓢ IP40

code	voltage	nominal flux	dimmability	finishes	cable (cm)	dimensions (cm)	LED	€
512.21	220/240V	3000 lm	/	C74	150	H 3 x Ø 50	1 x 38W 2700K	451,00

Hardware



C74 Sand black



measurements in mm

BILANCELLA

512.22 Pendant

Picture on page 47 of the catalogue

Design: Roberto Giacomucci

Description: Suspension, ceiling and wall lamp with a thin metal powder coated diffuser. The decentralize version has a versatile ceiling mounting system allowing to illuminate even in absence of electrical connection on the ceiling. In addition, the metal decentralizers allow the wire to slide to bring the light where it is needed. Thanks to its essential form, the light spreads evenly throughout the environment.

Materials: metal

Mounting: Pendant: cable length 800 cm. Plug: type F (Schuko). Ceiling attachment: 3 included. Light source: Integrated LED.

Nt. Wt.: 6 kg

Class: Degree of protection IP40, insulation class 1.

Note: Additional ceiling attachment available.

CE \oplus IP40

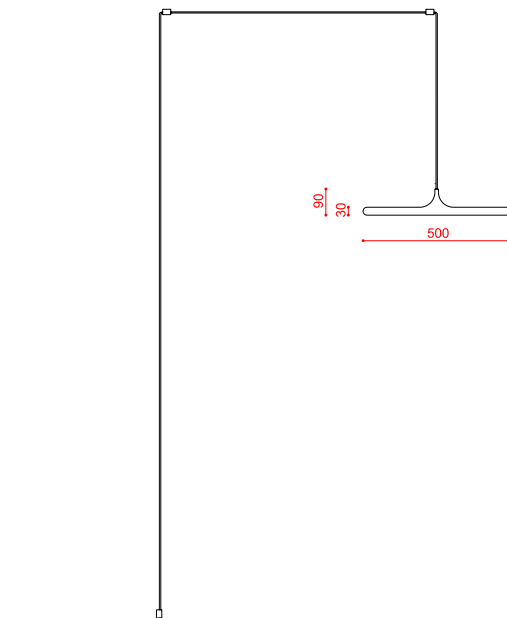


code	voltage	nominal flux	dimmiability	finishes	cable (cm)	dimensions (cm)	LED	€
512.22	220/240V	3000 lm	/	C74	800	H 3 x \varnothing 50	1 x 38W 2700K	498,00

Hardware



C74 Sand black



measurements in mm

BILANCELLA

512.71 Wall/Ceiling

Picture on page 46 of the catalogue

Design: Roberto Giacomucci

Description: Suspension, ceiling and wall lamp with a thin metal powder coated diffuser. The decentralize version has a versatile ceiling mounting system allowing to illuminate even in absence of electrical connection on the ceiling. In addition, the metal decentralizers allow the wire to slide to bring the light where it is needed. Thanks to its essential form, the light spreads evenly throughout the environment.

Materials: metal

Mounting: Base: Ø 11 cm included with bracket. Light source: Integrated LED.

Nt. Wt.: 4,2 kg

Class: Degree of protection IP40, insulation class 1.

CE  IP40

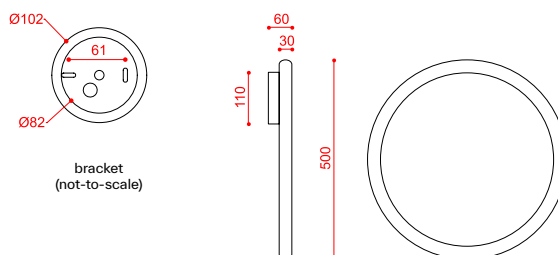


code	voltage	nominal flux	dimmiability	finishes	cable (cm)	dimensions (cm)	LED	€
512.71	220/240V	3000 lm	/	C74	/	D 6 x Ø 50	38W 2700K	405,00

Hardware



C74 Sand black



measurements in mm

EXCALIBUR

559.12 Chandelier

Design: Corrado Dotti

Description: A slightly Deco inspired lamp. The main body is in black coating and the light is spread through two plexiglass prisms and it's wrapped into three rectangular brushed brass foils. It is available in different compositions: single or bunch suspension, chandeliers in two different dimension, single or double wall lamp.

Materials: metal, brass, PMMA

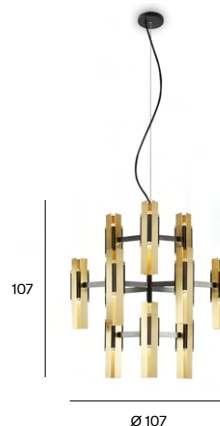
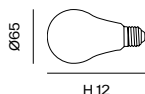
Mounting: Pendant: 125 cm steel cable, electric cable length 150 cm. Canopy: Ø 13 cm included with bracket. Light source: E27 bulb.

Nt. Wt.: 35 kg

Class: Degree of protection IP40, insulation class 1.

Note: Custom canopy on request.
Sloped ceiling canopy on request.
110/120V version available on request.
Max dimensions bulb (excluded):

CE IP40

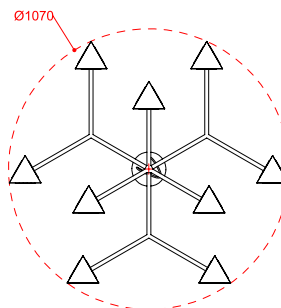
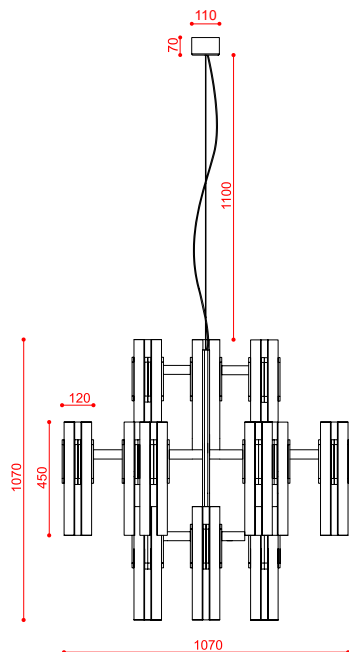


code	voltage	nominal flux	dimmiability	finishes	cable (cm)	dimensions (cm)	recommended LED bulb	€
559.12	220/240V	/	according to bulb	C74 + C41	125	H 107 x Ø 107	12 x E27 max 15W	5.579,00

Hardware Details



C74 Sand black + C41 Brushed brass



measurements in mm

EXCALIBUR

559.13 Chandelier

Picture on page 51 of the catalogue

Design: Corrado Dotti

Description: A slightly Deco inspired lamp. The main body is in black coating and the light is spread through two plexiglass prisms and it's wrapped into three rectangular brushed brass foils. It is available in different compositions: single or bunch suspension, chandeliers in two different dimension, single or double wall lamp.

Materials: metal, brass, PMMA

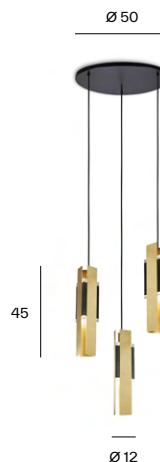
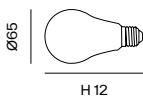
Mounting: Pendant: cable length 150 cm. Canopy: Ø 50 cm included with bracket. Light source: E27 bulb.

Nt. Wt.: 8 kg

Class: Degree of protection IP40, insulation class 1.

Note: Custom canopy on request.
Additional suspensions available on request.
110/120V version available on request.
Max dimensions bulb (excluded):

CE IP40

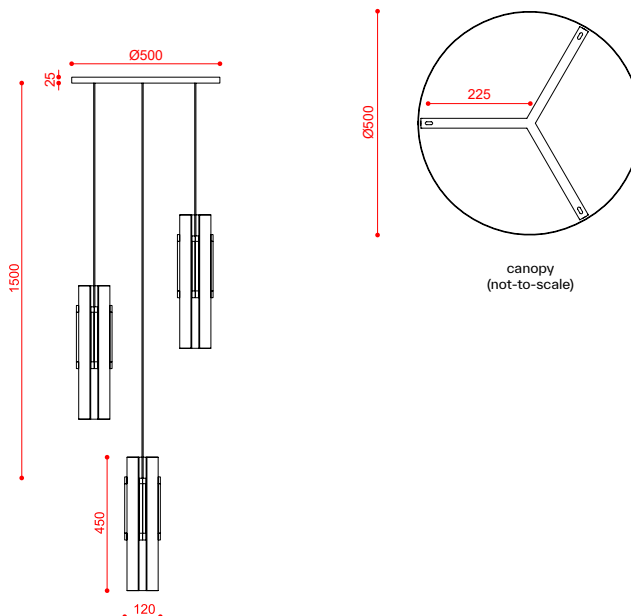


code	voltage	nominal flux	dimmability	finishes	cable (cm)	dimensions (cm)	recommended LED bulb	€
559.13	220/240V	/	according to bulb	C74 + C41	150	H 45 x Ø 50	3 x E27 max 15W	1.139,00

Hardware Details



C74 Sand black + C41 Brushed brass



measurements in mm

EXCALIBUR

559.21 Pendant

Picture on page 24/54 of the catalogue

Design: Corrado Dotti

Description: A slightly Deco inspired lamp. The main body is in black coating and the light is spread through two plexiglass prisms and it's wrapped into three rectangular brushed brass foils. It is available in different compositions: single or bunch suspension, chandeliers in two different dimension, single or double wall lamp.

Materials: metal, brass, PMMA

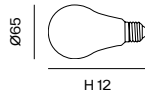
Mounting: Pendant: cable length 150 cm. Canopy: Ø 13 cm included with bracket. Light source: E27 bulb.

Nt. Wt.: 1,9 kg

Class: Degree of protection IP40, insulation class 1.

Note: Custom canopy on request.
110/120V version available on request.
Max dimensions bulb (excluded):

CE IP40

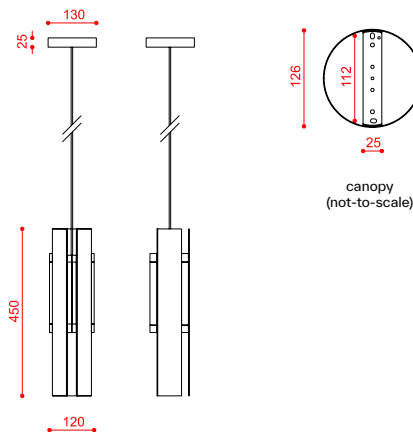


code	voltage	nominal flux	dimmiability	finishes	cable (cm)	dimensions (cm)	recommended LED bulb	€
559.21	220/240V	/	according to bulb	C74 + C41	150	H 45 x Ø 12	1 x E27 max 15W	374,00

Hardware Details



C74 Sand black + C41 Brushed brass



canopy (not-to-scale)

measurements in mm

EXCALIBUR

559.23 Chandelier

Design: Corrado Dotti

Description: A slightly Deco inspired lamp. The main body is in black coating and the light is spread through two plexiglass prisms and it's wrapped into three rectangular brushed brass foils. It is available in different compositions: single or bunch suspension, chandeliers in two different dimension, single or double wall lamp.

Materials: metal, brass, PMMA

Mounting: Pendant: 125 cm steel cable, electric cable length 150 cm. Canopy: Ø 13 cm included with bracket. Light source: E27 bulb.

Nt. Wt.: 8 kg

Class: Degree of protection IP40, insulation class 1.

Note: Custom canopy on request.
110/120V version available on request.
Max dimensions bulb (excluded):

CE IP40

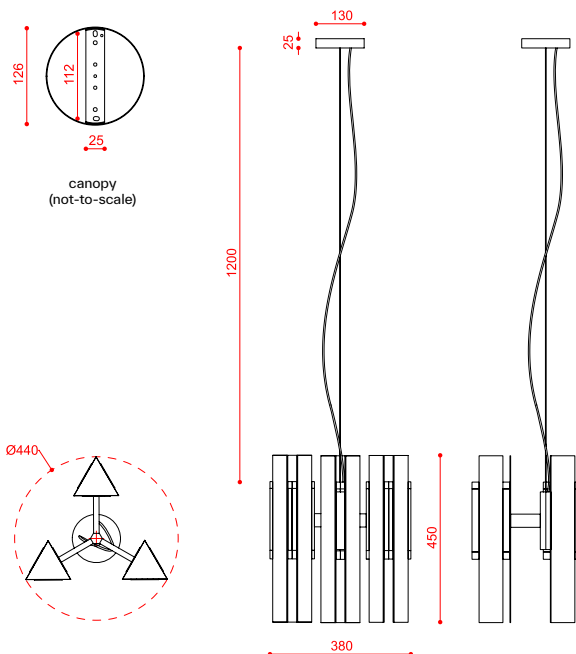


code	voltage	nominal flux	dimmability	finishes	cable (cm)	dimensions (cm)	recommended LED bulb	€
559.23	220/240V	/	according to bulb	C74 + C41	125	H 45 x Ø 38	3 x E27 max 15W	1.316,00

Hardware Details



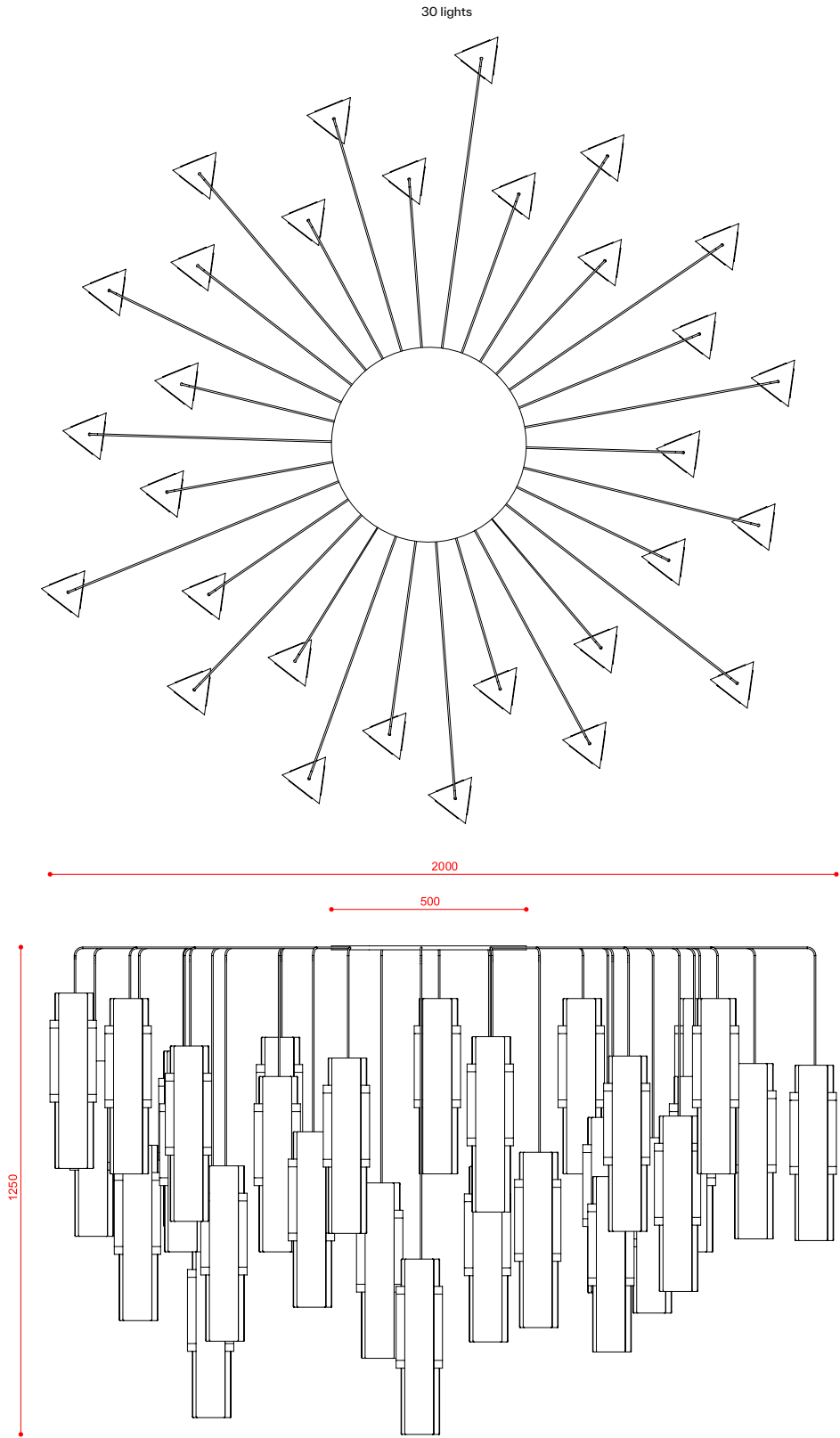
C74 Sand black + C41 Brushed brass



measurements in mm

Suggested application

EXCALIBUR Chandelier



EXCALIBUR

559.26 Chandelier

Picture on page 54 of the catalogue

Design: Corrado Dotti

Description: A slightly Deco inspired lamp. The main body is in black coating and the light is spread through 2 plexiglass prisms and it's wrapped into 3 rectangular brushed brass foils. It is available in different compositions: single or bunch suspension, chandeliers in two different dimension, single or double wall lamp.

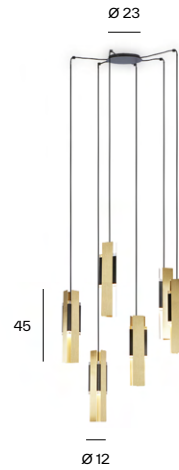
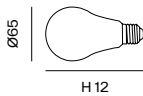
Materials: metal, brass, PMMA

Mounting: Pendant: cable length 150 cm. Canopy: Ø 23 cm included with bracket. Ceiling attachment: 6 included. Light source: E27 bulb.

Nt. Wt.: 11,4 kg

Class: Degree of protection IP40, insulation class 1.

Note: Additional suspensions available on request.
Additional ceiling attachment available.
110/120V version available on request.
Custom canopy on request.
Max dimensions bulb (excluded):



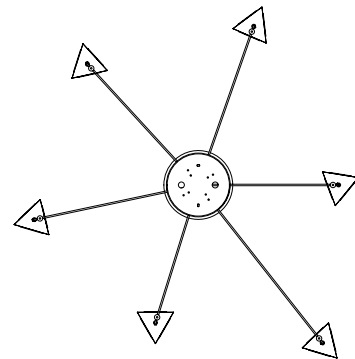
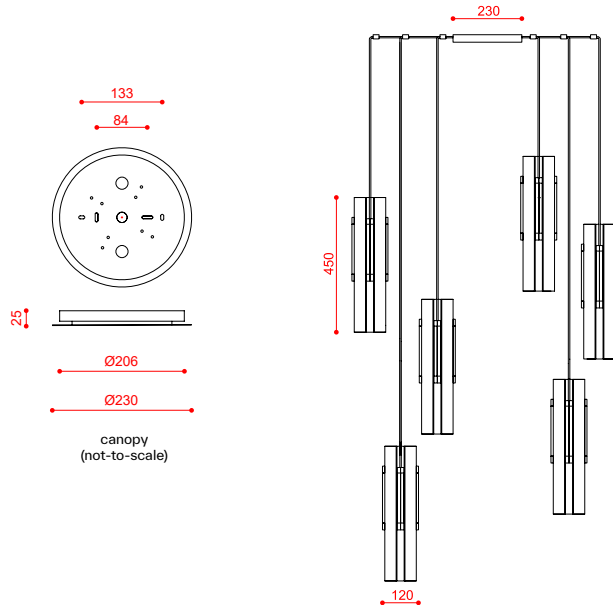
CE IP40

code	voltage	nominal flux	dimmiability	finishes	cable (cm)	dimensions (cm)	recommended bulb	€
559.26	220/240V	/	according to bulb	C74 + C41	150	Ø 100/200 H. 50/100	6 x E27 max 15W	2.160,00

Hardware Details



C74 Sand black + C41 Brushed brass



measurements in mm

EXCALIBUR

559.41 Wall

Picture on page 53 of the catalogue

Design: Corrado Dotti

Description: A slightly Deco inspired lamp. The main body is in black coating and the light is spread through two plexiglass prisms and it's wrapped into three rectangular brushed brass foils. It is available in different compositions: single or bunch suspension, chandeliers in two different dimension, single or double wall lamp.

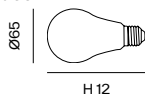
Materials: metal, brass, PMMA

Mounting: Base: 7 x 7 cm included with bracket. Light source: E27 bulb.

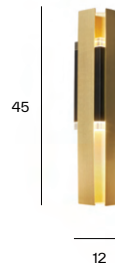
Nt. Wt.: 2,5 kg

Class: Degree of protection IP40, insulation class 1.

Note: 110/120V version available on request.
Max dimensions bulb (excluded):



CE IP40

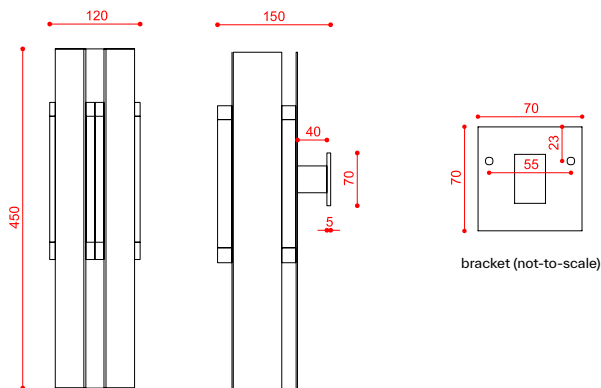


code	voltage	nominal flux	dimmability	finishes	cable (cm)	dimensions (cm)	recommended LED bulb	€
559.41	220/240V	/	according to bulb	C74 + C41	/	H 45 x L 12	1 x E27 max 15W	353,00

Hardware Details



C74 Sand black + C41 Brushed brass



measurements in mm

EXCALIBUR

559.42 Wall

Design: Corrado Dotti

Description: A slightly Deco inspired lamp. The main body is in black coating and the light is spread through two plexiglass prisms and it's wrapped into three rectangular brushed brass foils. It is available in different compositions: single or bunch suspension, chandeliers in two different dimension, single or double wall lamp.

Materials: metal, brass, PMMA

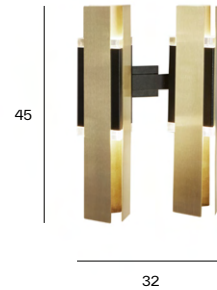
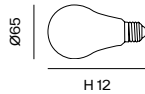
Mounting: Base: 7 x 7 cm included with bracket. Light source: E27 bulb.

Nt. Wt.: 5 kg

Class: Degree of protection IP40, insulation class 1.

Note: 110/120V version available on request.
Max dimensions bulb (excluded):

CE Ⓢ IP40

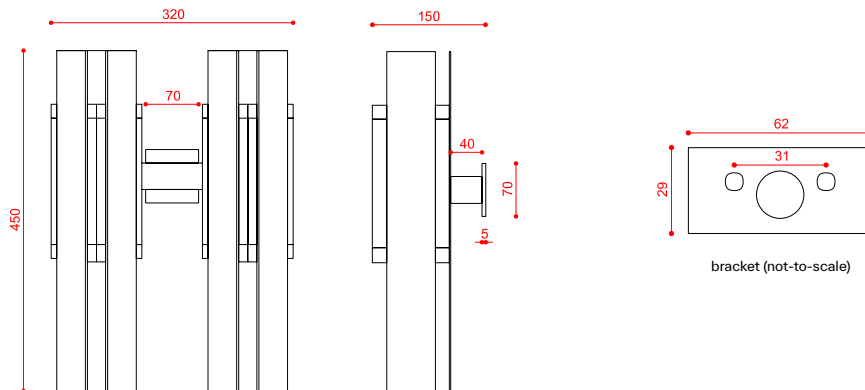


code	voltage	nominal flux	dimmability	finishes	cable (cm)	dimensions (cm)	recommended LED bulb	€
559.42	220/240V	/	according to bulb	C74 + C41	/	H 45 x L 32	2 x E27 max 15W	707,00

Hardware Details



C74 Sand black + C41 Brushed brass



bracket (not-to-scale)

measurements in mm

FILIPA

555.13 Chandelier

Design: Corrado Dotti

Description: Collection of lamps inspired by the classic Chinese lanterns. The particular bi-dimensional structure is made by powder coated painted metal on the outside, while the inside color is sand gray. A new version in a twocoloured leather has enriched the collection. The light source is located inside a doubleside borosilicate glass diffuser, while the suspensions have an additional integrated LED light source in order to create a direct illumination downwards.

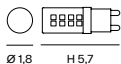
Materials: metal, leather, glass

Mounting: Pendant: cable length 150 cm. Canopy: Ø 50 cm included with bracket. Light source: G9 bulb + integrated LED.

Nt. Wt.: 7 kg

Class: Degree of protection IP40, insulation class 1.

Note: Additional suspensions available on request
110/120V version available on request.
Custom canopy on request.
Max dimensions G9 bulb (excluded):



CE IP40



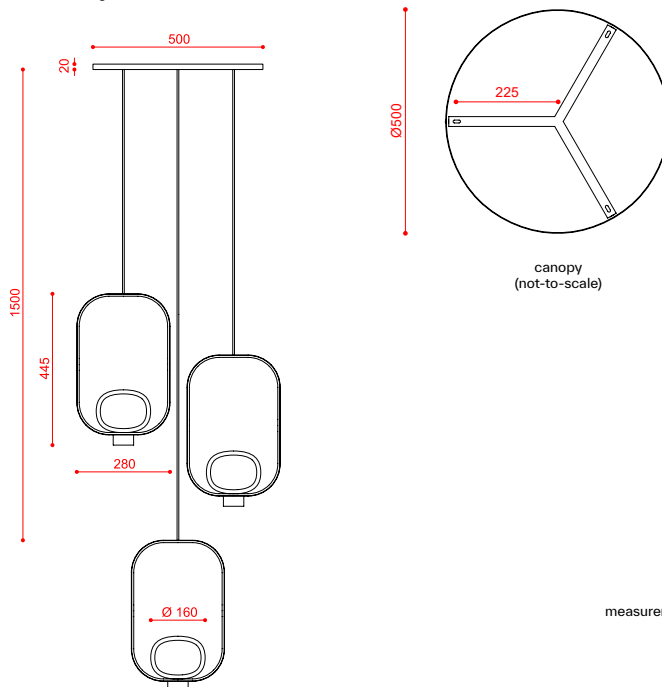
code	voltage	nominal flux	dimmiability	finishes	cable (cm)	dimensions (cm)	recommended LED bulb + LED	€
555.13	220/240V	/ 1500 lm	according to bulb + phase cut	C74 + C46	150	Ø 72	G9 3×5W max + LED 3×4W	1.814,00
555.13	220/240V	/ 1500 lm	according to bulb + phase cut	C74 + L01	150	Ø 72	G9 3×5W max + LED 3×4W	2.366,00

Hardware Details



C74 Sand black + C46 Sand grey + Clear glass

C74 Sand black + L01 Two-tone leather + Clear glass



measurements in mm

FILIPA

555.22 Pendant

Picture on page 59/60 of the catalogue

Design: Corrado Dotti

Description: Collection of lamps inspired by the classic Chinese lanterns. The particular bi-dimensional structure is made by powder coated painted metal on the outside, while the inside color is sand gray. A new version in a twocoloured leather has enriched the collection. The light source is located inside a doubleside borosilicate glass diffuser, while the suspensions have an additional integrated LED light source in order to create a direct illumination downwards.

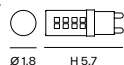
Materials: metal, leather, glass

Mounting: Pendant: cable length 150 cm. Canopy: Ø 13 cm included with bracket. Light source: G9 bulb + integrated LED.

Nt. Wt.: 2,3 kg

Class: Degree of protection IP40, insulation class 1.

Note: Custom canopy on request
110/120V version available on request.
Max dimensions G9 bulb (excluded):



CE IP40



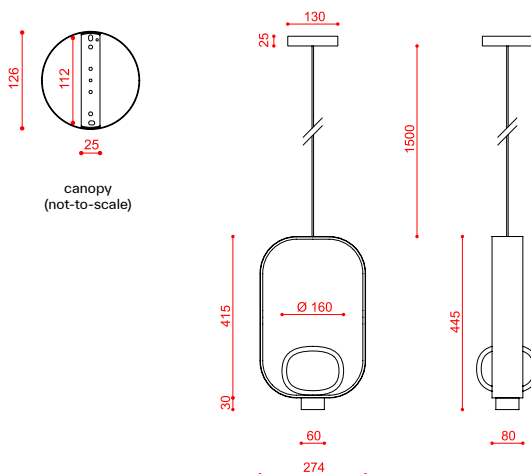
code	voltage	nominal flux	dimmability	finishes	cable (cm)	dimensions (cm)	recommended LED bulb + LED	€
555.22	220/240V	/ 500 lm	according to bulb + phase cut	C74 + C46	150	H 45 x L 28	G9 5W max + LED 4W, 2700K	622,00
555.22	1220/240V	/ 500 lm	according to bulb + phase cut	C74 + L01	150	H 45 x L 28	G9 5W max + LED 4W, 2700K	713,00

Hardware Details



C74 Sand black + C46 Sand grey + Clear glass

C74 Sand black + L01 Two-tone leather + Clear glass



measurements in mm

FILIPA

555.31 Table

Picture on page 57/58 of the catalogue

Design: Corrado Dotti

Description: Collection of lamps inspired by the classic Chinese lanterns. The particular bi-dimensional structure is made by powder coated painted metal on the outside, while the inside color is sand gray. A new version in a twocoloured leather has enriched the collection. The light source is located inside a doubleside borosilicate glass diffuser.

Materials: metal, leather, glass

Mounting: Table: cable length 150 cm. Plug: type C (EU).
On/off switch: 50 cm from the base on black fabric cable. Light source: G9 bulb.

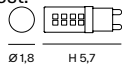
Nt. Wt.: 3,5 kg

Class: Degree of protection IP40, insulation class 2.

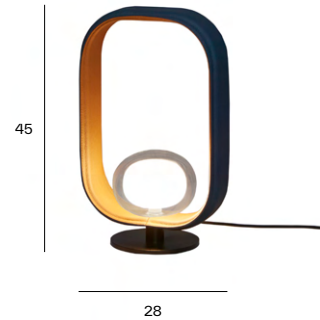
Note: 110/120V version available on request.

Dimmer version available on request.

Max dimensions bulb (excluded):



CE IP40



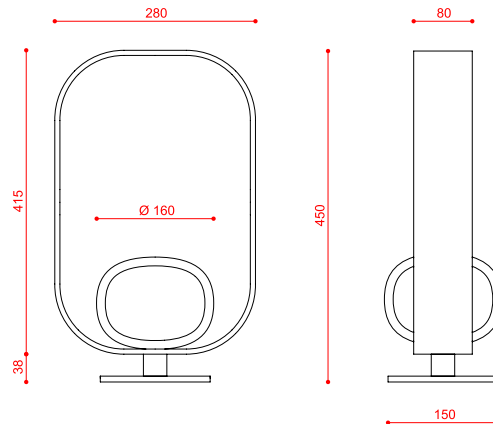
code	voltage	nominal flux	dimmability	finishes	cable (cm)	dimensions (cm)	recommended LED bulb	€
555.31	220/240V	/	/	C74 + C46	150	H 45 x L 28	1 x G9 max 5W	571,00
555.31	220/240V	/	/	C74 + L01	150	H 45 x L 28	1 x G9 max 5W	689,00

Hardware Details



C74 Sand black + C46 Sand grey + Clear glass

C74 Sand black + L01 Two-tone leather + Clear glass



measurements in mm

FILIPA

555.41 Wall

Design: Corrado Dotti

Description: Collection of lamps inspired by the classic Chinese lanterns. The particular bi-dimensional structure is made by powder coated painted metal on the outside, while the inside color is sand gray. A new version in a twocoloured leather has enriched the collection. The light source is located inside a doubleside borosilicate glass diffuser.

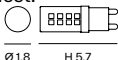
Materials: metal, leather, glass

Mounting: Base: Ø 11,5 cm included with bracket. Light source: G9 bulb.

Nt. Wt.: 2,4 kg

Class: Degree of protection IP40, insulation class 1.

Note: 110/120V version available on request.

Max dimensions bulb (excluded): 
 Ø 1,8 H 5,7

CE IP40



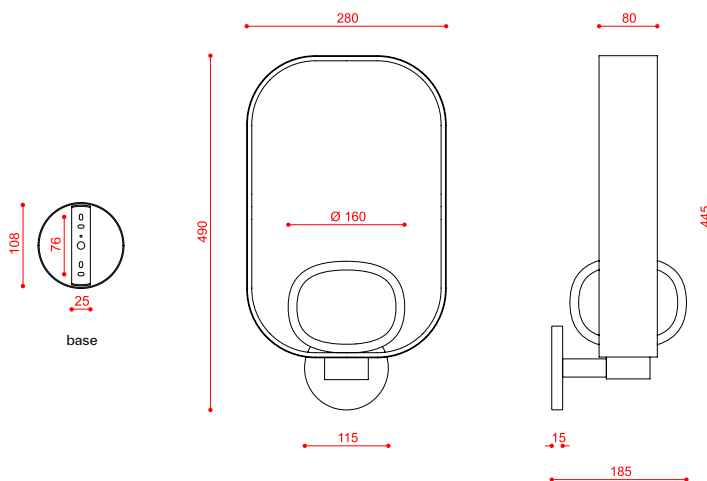
code	source	nominal flux	dimmability	finishes	cable (cm)	dimensions (cm)	recommended LED bulb	€
555.41	220/240V	/	according to bulb	C74 + C46	/	H 49 x L 28	1 x G9 max 5W	588,00
555.41	220/240V	/	according to bulb	C74 + L01	/	H 49 x L 28	1 x G9 max 5W	713,00

Hardware Details



C74 Sand black + C46 Sand grey + Clear glass

C74 Sand black + L01 Two-tone leather + Clear glass



measurements in mm

GORDON

561.11a Ceiling

Design: Corrado Dotti

Description: A new formal and material interpretation of the conical diffuser is the main feature of GORDON lamps.

The essential and refined aspect with a strong character that is conferred by the shape of the brass casting; these practical and versatile lamps are suitable to be used in different environments, from the domestic to the working one as in the commercial spaces and 'hospitality'.

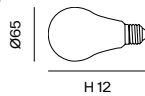
Materials: metal, aluminum, PMMA

Mounting: Canopy: Ø 13 cm included with bracket. Adjustable height: from 70 to 90 cm. Adjustable direct light: 270°. Light source: E27 bulb.

Nt. Wt.: 1,5 kg

Class: Degree of protection IP40, insulation class 1.

Note: Recessed canopy available (561.15a). 110/120V version available on request. Max dimensions bulb (excluded):

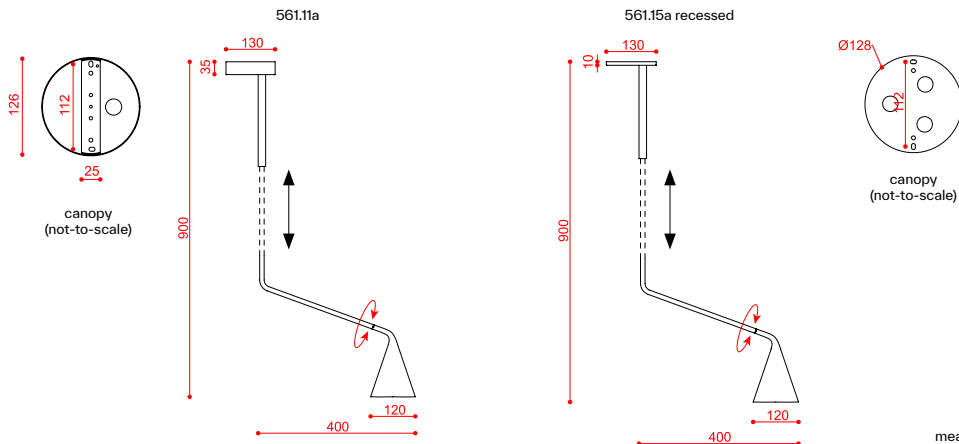


CE IP40



code	voltage	nominal flux	dimmability	finishes	cable (cm)	dimensions (cm)	recommended LED bulb	€
561.11a 561.15a rec.	220/240V	/	according to bulb	C2 + C2	-	H 70 - 90 x L 40	1 x E27 max 7,5W	338,00
561.11a 561.15a rec.	220/240V	/	according to bulb	C2 + C41	-	H 70 - 90 x L 40	1 x E27 max 7,5W	406,00
561.11a 561.15a rec.	220/240V	/	according to bulb	C2 + C48	-	H 70 - 90 x L 40	1 x E27 max 7,5W	406,00

Hardware	Cone	
		C2 Matte black + C2 Matte black
		C2 Matte black + C41 Brushed brass
		C2 Matte black + C48 Black chrome



measurements in mm

GORDON

561.11b Ceiling

Design: Corrado Dotti

Description: A new formal and material interpretation of the conical diffuser is the main feature of GORDON lamps. The essential and refined aspect with a strong character that is conferred by the shape of the brass casting; these practical and versatile lamps are suitable to be used in different environments, from the domestic to the working one as in the commercial spaces and 'hospitality'.

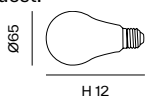
Materials: metal, aluminum, PMMA

Mounting: Canopy: Ø 13 cm included with bracket. Adjustable height: from 75 to 95 cm. Adjustable direct light: 270°. Light source: E27 bulb.

Nt. Wt.: 1,7 kg

Class: Degree of protection IP40, insulation class 1.

Note: Recessed canopy available (561.15b). 110/120V version available on request. Max dimensions bulb (excluded):



CE IP40

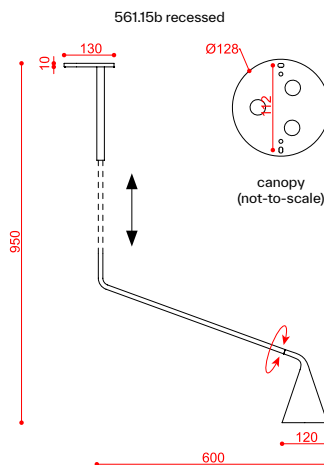
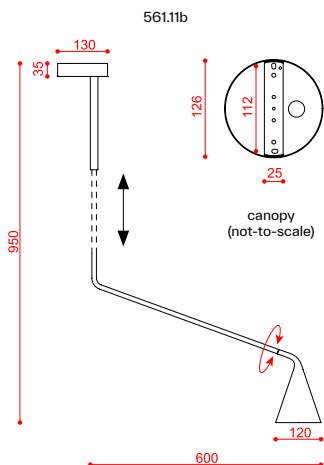


code	voltage	nominal flux	dimmability	finishes	cable (cm)	dimensions (cm)	recommended LED bulb	€
561.11b 561.15b rec.	220/240V	/	according to bulb	C2 + C2	-	H 75 - 95 x L 60	1 x E27 max 7,5W	345,00
561.11b 561.15b rec.	220/240V	/	according to bulb	C2 + C41	-	H 75 - 95 x L 60	1 x E27 max 7,5W	414,00
561.11b 561.15b rec.	220/240V	/	according to bulb	C2 + C48	-	H 75 - 95 x L 60	1 x E27 max 7,5W	414,00

Hardware Cone



C2 Matte black + C2 Matte black
C2 Matte black + C41 Brushed brass
C2 Matte black + C48 Black chrome



measurements in mm

GORDON

561.11c Ceiling

Design: Corrado Dotti

Description: A new formal and material interpretation of the conical diffuser is the main feature of GORDON lamps. The essential and refined aspect with a strong character that is conferred by the shape of the brass casting; these practical and versatile lamps are suitable to be used in different environments, from the domestic to the working one as in the commercial spaces and 'hospitality'.

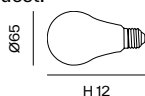
Materials: metal, aluminum, PMMA

Mounting: Canopy: Ø 13 cm included with bracket. Adjustable height: from 80 to 100 cm. Adjustable direct light: 270°. Light source: E27 bulb.

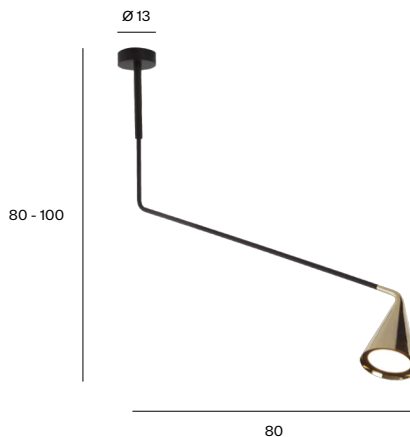
Nt. Wt.: 1,9 kg

Class: Degree of protection IP40, insulation class 1.

Note: Recessed canopy available (561.15c). 110/120V version available on request. Max dimensions bulb (excluded):



CE IP40

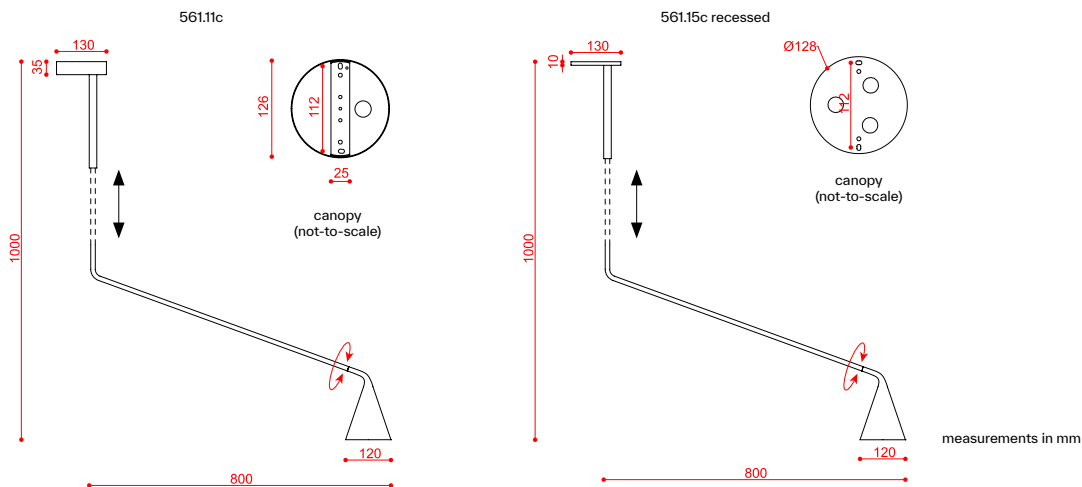


code	voltage	nominal flux	dimmability	finishes	cable (cm)	dimensions (cm)	recommended LED bulb	€
561.11c 561.15c rec.	220/240V	/	according to bulb	C2 + C2	-	H 80 - 100 x L 80	1 x E27 max 7,5W	351,00
561.11c 561.15c rec.	220/240V	/	according to bulb	C2 + C41	-	H 80 - 100 x L 80	1 x E27 max 7,5W	420,00
561.11c 561.15c rec.	220/240V	/	according to bulb	C2 + C48	-	H 80 - 100 x L 80	1 x E27 max 7,5W	420,00

Hardware Cone



C2 Matte black + C2 Matte black
C2 Matte black + C41 Brushed brass
C2 Matte black + C48 Black chrome



GORDON

561.13abc Chandelier

Picture on page 66/67 of the catalogue

Design: Corrado Dotti

Description: A new formal and material interpretation of the conical diffuser is the main feature of GORDON lamps. The essential and refined aspect with a strong character that is conferred by the shape of the brass casting; these practical and versatile lamps are suitable to be used in different environments, from the domestic to the working one as in the commercial spaces and 'hospitality'.

Materials: metal, aluminum, PMMA

Mounting: Canopy: Ø 13 cm included with bracket. Adjustable height: from 80 to 100 cm. Adjustable direct light: 270°. Light source: E27 bulb.

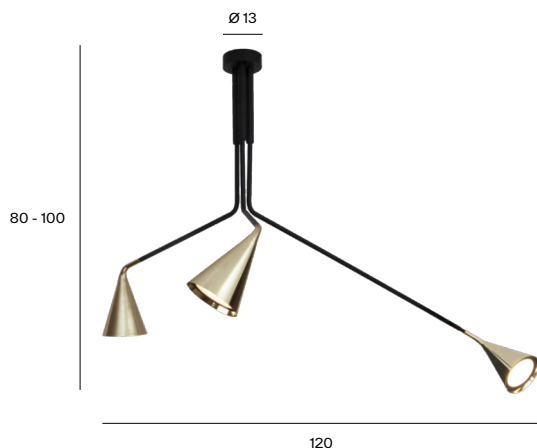
Nt. Wt.: 5,1 kg

Class: Degree of protection IP40, insulation class 1.

Note: Recessed canopy available (561.15abc). 110/120V version available on request. Max dimensions bulb (excluded):



CE IP40

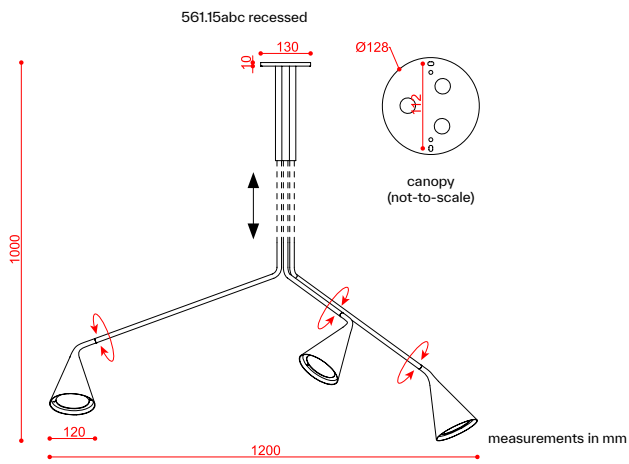
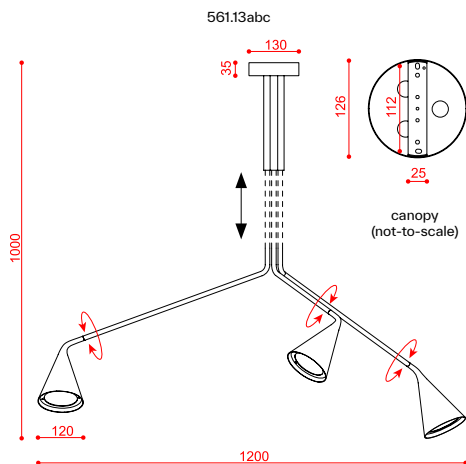


code	voltage	nominal flux	dimmability	finishes	cable (cm)	dimensions (cm)	recommended LED bulb	€
561.13abc 561.15abc rec.	220/240V	/	according to bulb	C2 + C2	-	H 80 - 100 x L 120	3 x E27 max 7,5W	1.003,00
561.13abc 561.15abc rec.	220/240V	/	according to bulb	C2 + C41	-	H 80 - 100 x L 120	3 x E27 max 7,5W	1.172,00
561.13abc 561.15abc rec.	220/240V	/	according to bulb	C2 + C48	-	H 80 - 100 x L 120	3 x E27 max 7,5W	1.172,00

Hardware Cone



C2 Matte black + C2 Matte black
C2 Matte black + C41 Brushed brass
C2 Matte black + C48 Black chrome



GORDON

561.21 Pendant

Picture on page 63/65 of the catalogue

Design: Corrado Dotti

Description: A new formal and material interpretation of the conical diffuser is the main feature of GORDON lamps.

The essential and refined aspect with a strong character that is conferred by the shape of the brass casting; these practical and versatile lamps are suitable to be used in different environments, from the domestic to the working one as in the commercial spaces and 'hospitality'.

Materials: metal, aluminum, PMMA

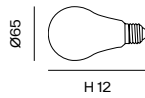
Mounting: Pendant: cable length 150 cm. Canopy: Ø 13 cm included with bracket. Light source: E27 bulb.

Nt. Wt.: 0,7 kg

Class: Degree of protection IP40, insulation class 1.

Note: 110/120V version available on request.
Max dimensions bulb (excluded):

CE IP40

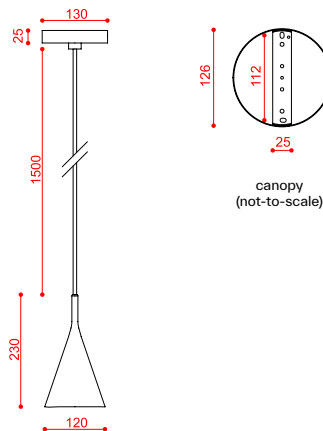


code	voltage	nominal flux	dimmability	finishes	cable (cm)	dimensions (cm)	recommended LED bulb	€
561.21	220/240V	/	according to bulb	C2 + C2	150	H 23 - Ø 12	1 x E27 max 7,5W	234,00
561.21	220/240V	/	according to bulb	C2 + C41	150	H 23 - Ø 12	1 x E27 max 7,5W	294,00
561.21	220/240V	/	according to bulb	C2 + C48	150	H 23 - Ø 12	1 x E27 max 7,5W	294,00

Hardware Cone



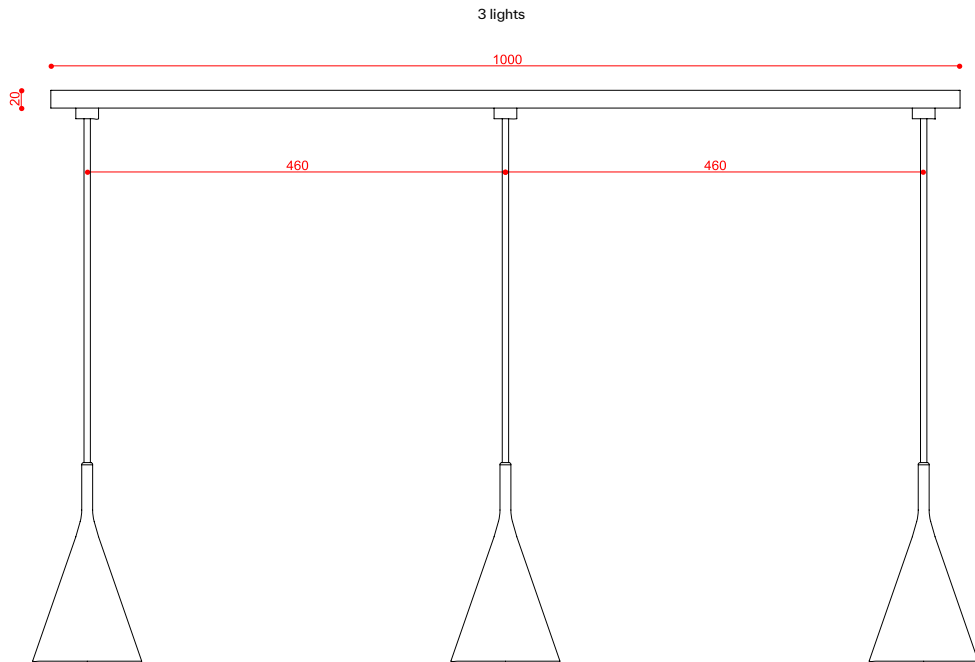
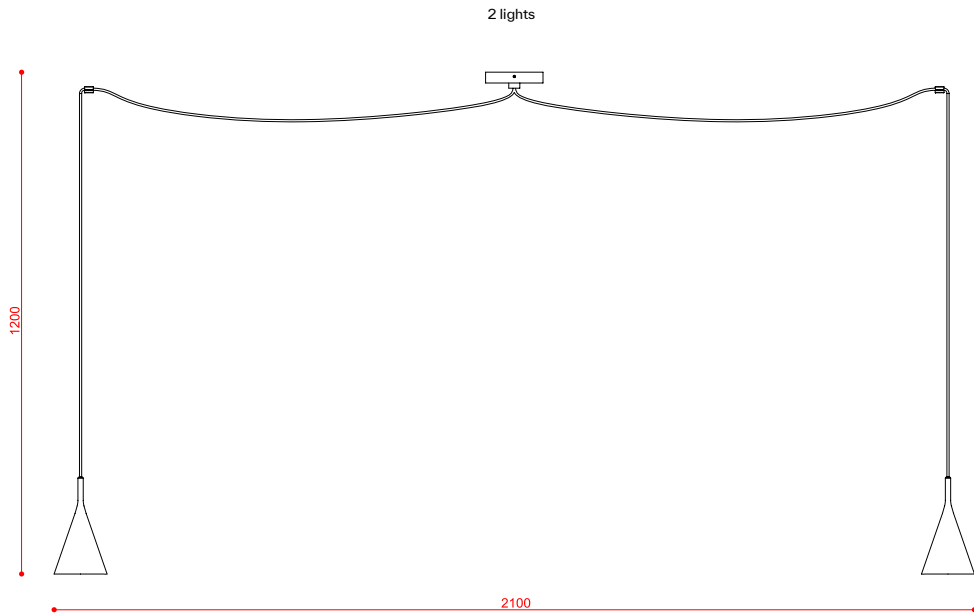
C2 Matte black + C2 Matte black
C2 Matte black + C41 Brushed brass
C2 Matte black + C48 Black chrome



measurements in mm

Suggested application

GORDON Pendant



GORDON

561.22 Pendant

Picture on page 63/65 of the catalogue

Design: Corrado Dotti

Description: A new formal and material interpretation of the conical diffuser is the main feature of GORDON lamps.

The essential and refined aspect with a strong character that is conferred by the shape of the brass casting; these practical and versatile lamps are suitable to be used in different environments, from the domestic to the working one as in the commercial spaces and 'hospitality'.

Materials: metal, aluminum, PMMA

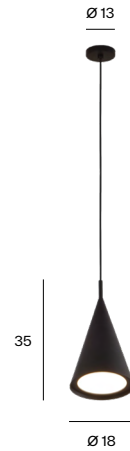
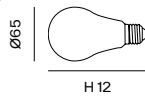
Mounting: Pendant: cable length 150 cm. Canopy: Ø 13 cm included with bracket. Light source: E27 bulb.

Nt. Wt.: 1,4 kg

Class: Degree of protection IP40, insulation class 1.

Note: 110/120V version available on request.
Max dimensions bulb (excluded):

CE IP40

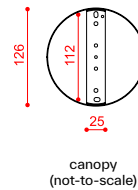
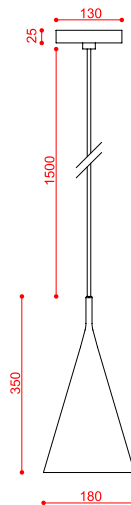


code	voltage	nominal flux	dimmiability	finishes	cable (cm)	dimensions (cm)	recommended LED bulb	€
561.22	220/240V	/	according to bulb	C2 + C2	150	H 35 - Ø 18	1 x E27 max 7,5W	296,00
561.22	220/240V	/	according to bulb	C2 + C41	150	H 35 - Ø 18	1 x E27 max 7,5W	351,00
561.22	220/240V	/	according to bulb	C2 + C48	150	H 35 - Ø 18	1 x E27 max 7,5W	351,00

Hardware Cone



C2 Matte black + C2 Matte black
C2 Matte black + C41 Brushed brass
C2 Matte black + C48 Black chrome



canopy (not-to-scale)

measurements in mm

GORDON

561.24 Pendant

Picture on page 63/65 of the catalogue

Design: Corrado Dotti

Description: A new formal and material interpretation of the conical diffuser is the main feature of GORDON lamps.

The essential and refined aspect with a strong character that is conferred by the shape of the brass casting; these practical and versatile lamps are suitable to be used in different environments, from the domestic to the working one as in the commercial spaces and 'hospitality'.

Materials: metal, aluminum, PMMA

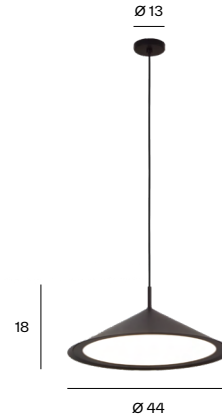
Mounting: Pendant: cable length 150 cm. Canopy: Ø 13 cm included with bracket. Light source: integrated LED

Nt. Wt.: 5,2 kg

Class: Degree of protection IP40, insulation class 1.

Note: 110/120V version available on request.

CE  IP40

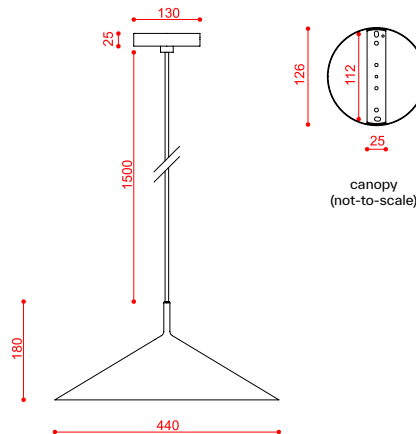


code	voltage	nominal flux	dimmiability	finishes	cable (cm)	dimensions (cm)	LED	€
561.24	220/240V	2760	phase cut	C2 + C2	150	H 18 - Ø 44	24W 2700K	468,00
561.24	220/240V	2760	phase cut	C2 + C41	150	H 18 - Ø 44	24W 2700K	582,00
561.24	220/240V	2760	phase cut	C2 + C48	150	H 18 - Ø 44	24W 2700K	582,00

Hardware Cone



C2 Matte black + C2 Matte black
 C2 Matte black + C41 Brushed brass
 C2 Matte black + C48 Black chrome



measurements in mm

GORDON

561.31 Table

Picture on page 29 of the catalogue

Design: Corrado Dotti

Description: A new formal and material interpretation of the conical diffuser is the main feature of GORDON lamps. The essential and refined aspect with a strong character that is conferred by the shape of the brass casting; these practical and versatile lamps are suitable to be used in different environments, from the domestic to the working one as in the commercial spaces and 'hospitality'.

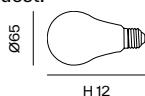
Materials: metal, aluminum, PMMA

Mounting: Table: cable length 150 cm. Plug: type C (EU). On/off switch: 50 cm from the base on black fabric cable. Adjustable direct light: 270°. Light source: E27 bulb.

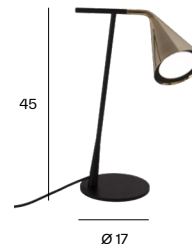
Nt. Wt.: 2,4 kg

Class: Degree of protection IP40, insulation class 2.

Note: Dimmer version available.
110/120V version available on request.
Max dimensions bulb (excluded):



CE IP40

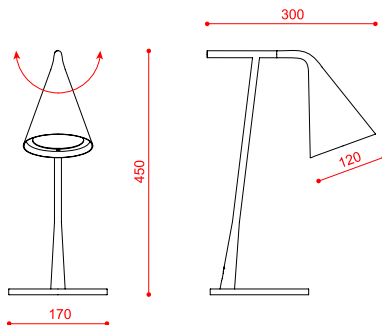


code	voltage	nominal flux	dimmability	finishes	cable (cm)	dimensions (cm)	recommended LED bulb	€
561.31	220/240V	/	on request	C2 + C2	150	H 45 - L 30	1 x E27 max 7,5W	382,00
561.31	220/240V	/	on request	C2 + C41	150	H 45 - L 30	1 x E27 max 7,5W	455,00
561.31	220/240V	/	on request	C2 + C48	150	H 45 - L 30	1 x E27 max 7,5W	455,00

Hardware Cone



C2 Matte black + C2 Matte black
C2 Matte black + C41 Brushed brass
C2 Matte black + C48 Black chrome



measurements in mm

GORDON

561.41 Wall

Design: Corrado Dotti

Description: A new formal and material interpretation of the conical diffuser is the main feature of GORDON lamps.

The essential and refined aspect with a strong character that is conferred by the shape of the brass casting; these practical and versatile lamps are suitable to be used in different environments, from the domestic to the working one as in the commercial spaces and 'hospitality'.

Materials: metal, aluminum, PMMA

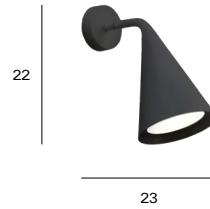
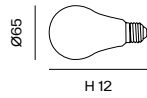
Mounting: Base: Ø 8 cm included with bracket. Adjustable direct light: 270°. Light source: E27 bulb.

Nt. Wt.: 0,7 kg

Class: Degree of protection IP40, insulation class 1.

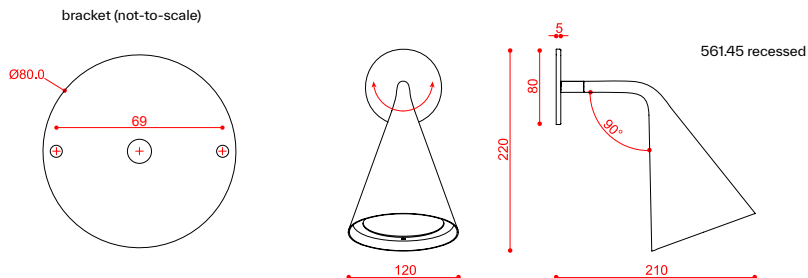
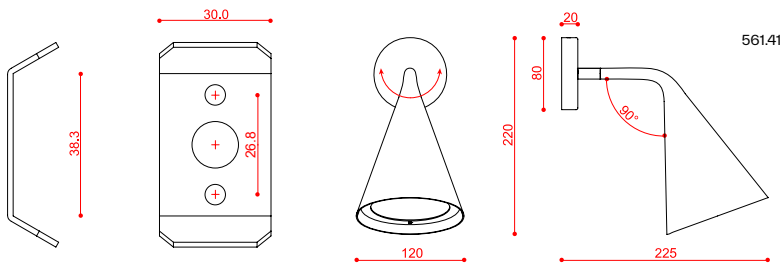
Note: Recessed base available (561.45).
110/120V version available on request.
Max dimensions bulb (excluded):

CE IP40



code	voltage	nominal flux	dimmability	finishes	cable (cm)	dimensions (cm)	recommended LED bulb	€
561.41 561.45 rec.	220/240V	/	according to bulb	C2 + C2	/	H 22 - L23 H 22 - L21	1 x E27 max 7,5W	234,00
561.41 561.45 rec.	220/240V	/	according to bulb	C2 + C41	/	H 22 - L23 H 22 - L21	1 x E27 max 7,5W	320,00
561.41 561.45 rec.	220/240V	/	according to bulb	C2 + C48	/	H 22 - L23 H 22 - L21	1 x E27 max 7,5W	320,00

- Hardware Cone
-  C2 Matte black + C2 Matte black
 -  C2 Matte black + C41 Brushed brass
 -  C2 Matte black + C48 Black chrome



measurements in mm

GORDON

561.42 Wall

Design: Corrado Dotti

Description: A new formal and material interpretation of the conical diffuser is the main feature of GORDON lamps. The essential and refined aspect with a strong character that is conferred by the shape of the brass casting; these practical and versatile lamps are suitable to be used in different environments, from the domestic to the working one as in the commercial spaces and 'hospitality'.

Materials: metal, aluminum, PMMA

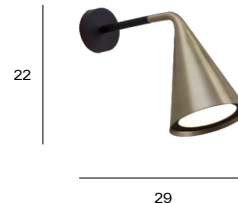
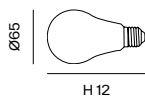
Mounting: Base: Ø 8 cm included with bracket. Adjustable direct light: 270°. Light source: E27 bulb.

Nt. Wt.: 0,7 kg

Class: Degree of protection IP40, insulation class 1.

Note: Recessed base available (561.46).
110/120V version available on request.
Max dimensions bulb (excluded):

CE IP40

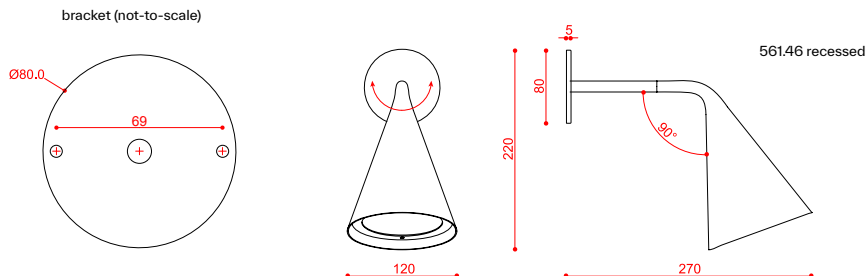
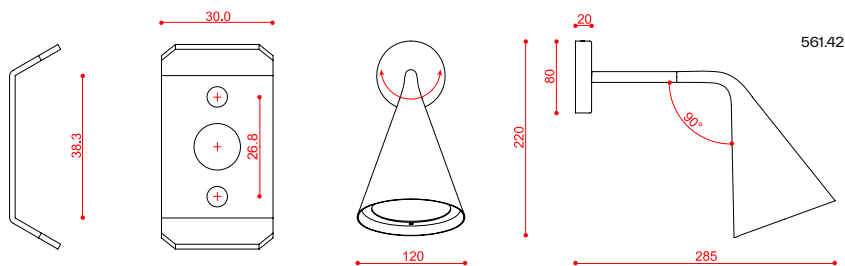


code	voltage	nominal flux	dimmiability	finishes	cable (cm)	dimensions (cm)	recommended LED bulb	€
561.42 561.46 rec.	220/240V	/	according to bulb	C2 + C2	/	H 22 - L 29 H 22 - L 27	1 x E27 max 7,5W	249,00
561.42 561.46 rec.	220/240V	/	according to bulb	C2 + C41	/	H 22 - L 29 H 22 - L 27	1 x E27 max 7,5W	333,00
561.42 561.46 rec.	220/240V	/	according to bulb	C2 + C48	/	H 22 - L 29 H 22 - L 27	1 x E27 max 7,5W	333,00

Hardware Cone



C2 Matte black + C2 Matte black
C2 Matte black + C41 Brushed brass
C2 Matte black + C48 Black chrome



measurements in mm

GORDON

561.43 Wall

Design: Corrado Dotti

Description: A new formal and material interpretation of the conical diffuser is the main feature of GORDON lamps.

The essential and refined aspect with a strong character that is conferred by the shape of the brass casting; these practical and versatile lamps are suitable to be used in different environments, from the domestic to the working one as in the commercial spaces and 'hospitality'.

Materials: metal, aluminum, PMMA

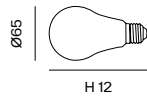
Mounting: Base: Ø 8 cm included with bracket. Adjustable direct light: 270°. Light source: E27 bulb.

Nt. Wt.: 0,7 kg

Class: Degree of protection IP40, insulation class 1.

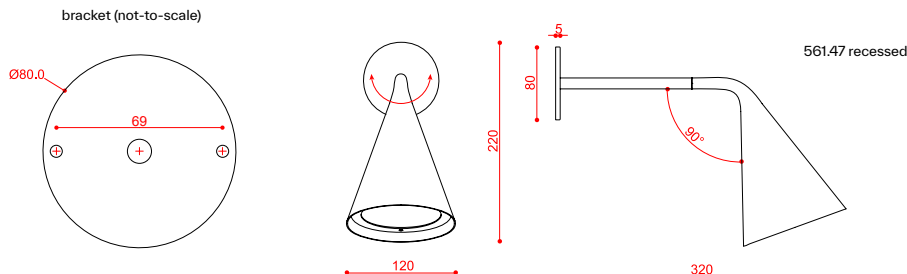
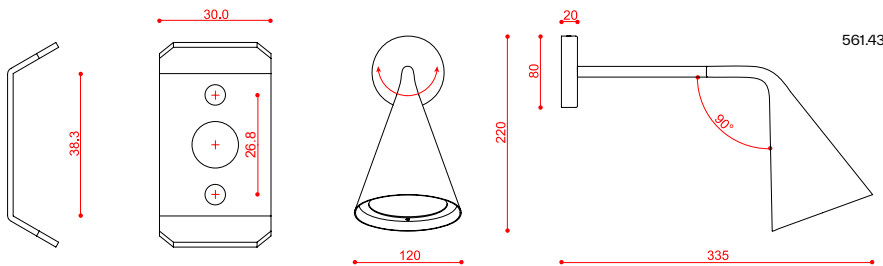
Note: Recessed base available (561.47).
110/120V version available on request.
Max dimensions bulb (excluded):

CE IP40



code	voltage	nominal flux	dimmiability	finishes	cable (cm)	dimensions (cm)	recommended LED bulb	€
561.43 561.47 rec.	220/240V	/	according to bulb	C2 + C2	/	H 22 - L 34 H 22 - L 32	1 x E27 max 7,5W	259,00
561.43 561.47 rec.	220/240V	/	according to bulb	C2 + C41	/	H 22 - L 34 H 22 - L 32	1 x E27 max 7,5W	345,00
561.43 561.47 rec.	220/240V	/	according to bulb	C2 + C48	/	H 22 - L 34 H 22 - L 32	1 x E27 max 7,5W	345,00

Hardware	Cone	
		C2 Matte black + C2 Matte black
		C2 Matte black + C41 Brushed brass
		C2 Matte black + C48 Black chrome



measurements in mm

GORDON

561.48 Wall

Picture on page 68 of the catalogue

Design: Corrado Dotti

Description: A new formal and material interpretation of the conical diffuser is the main feature of GORDON lamps. The essential and refined aspect with a strong character that is conferred by the shape of the brass casting; these practical and versatile lamps are suitable to be used in different environments, from the domestic to the working one as in the commercial spaces and 'hospitality'.

Materials: metal, aluminum, PMMA

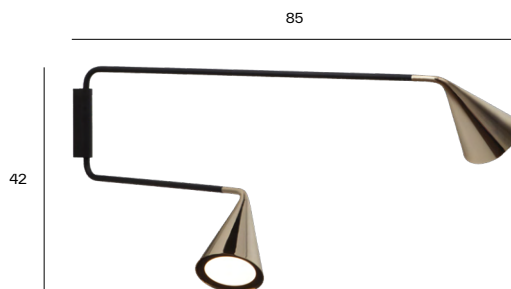
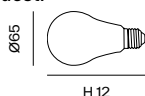
Mounting: Base: 13,5 x 3 cm included with bracket. Adjustable direct light: 270°. Adjustable rods: 180°. Light source: E27 bulb.

Nt. Wt.: 2 kg

Class: Degree of protection IP40, insulation class 1.

Note: Cable + plug version available (+€60)
110/120V version available on request.
Max dimensions bulb (excluded):

CE IP40

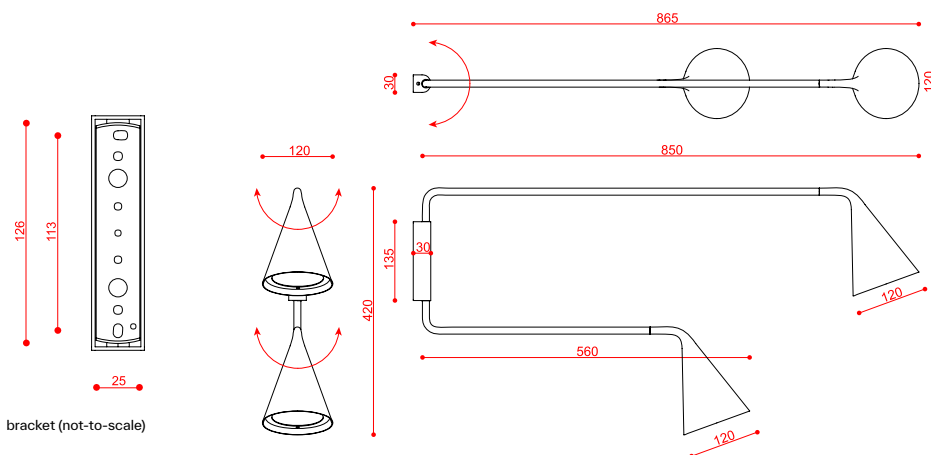


code	voltage	nominal flux	dimmability	finishes	cable (cm)	dimensions (cm)	recommended LED bulb	€
561.48	220/240V	/	according to bulb	C2 + C2	/	H 42 - L 85	2 x E27 max 7,5W	703,00
561.48	220/240V	/	according to bulb	C2 + C41	/	H 42 - L 85	2 x E27 max 7,5W	844,00
561.48	220/240V	/	according to bulb	C2 + C48	/	H 42 - L 85	2 x E27 max 7,5W	844,00

Hardware Cone



C2 Matte black + C2 Matte black
C2 Matte black + C41 Brushed brass
C2 Matte black + C48 Black chrome



measurements in mm

GORDON



561.49 Wall

Picture on page 70 of the catalogue

Design: Corrado Dotti

Description: A new formal and material interpretation of the conical diffuser is the main feature of GORDON lamps. The essential and refined aspect with a strong character that is conferred by the shape of the brass casting; these practical and versatile lamps are suitable to be used in different environments, from the domestic to the working one as in the commercial spaces and 'hospitality'.

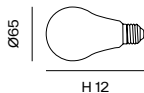
Materials: metal, aluminum, PMMA

Mounting: Base: Ø 5 cm included with bracket. Adjustable direct light: 270°. Adjustable rod: three axes with counterweight. Light source: E27 bulb.

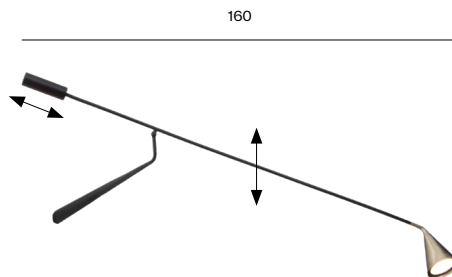
Nt. Wt.: 4 kg

Class: Degree of protection IP40, insulation class 1.

Note: Custom base on request.
Cable + plug version available (+€60).
110/120V version available on request.
Max dimensions bulb (excluded):



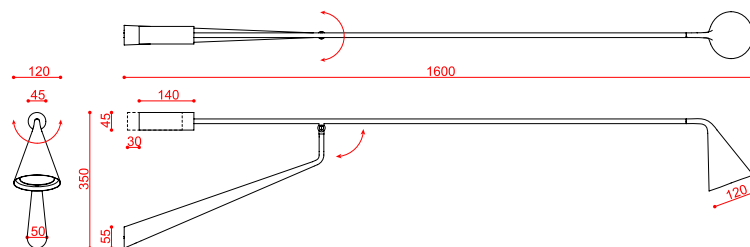
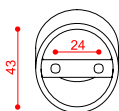
CE IP40



code	voltage	nominal flux	dimmability	finishes	cable (cm)	dimensions (cm)	recommended LED bulb	€
561.49	220/240V	/	according to bulb	C2 + C2	/	L 160	1 x E27 max 7,5W	760,00
561.49	220/240V	/	according to bulb	C2 + C41	/	L 160	1 x E27 max 7,5W	815,00
561.49	220/240V	/	according to bulb	C2 + C48	/	L 160	1 x E27 max 7,5W	815,00

Hardware	Cone	
		C2 Matte black + C2 Matte black
		C2 Matte black + C41 Brushed brass
		C2 Matte black + C48 Black chrome

bracket (not-to-scale)



measurements in mm

GORDON

561.61 Floor

Picture on page 69 of the catalogue

Design: Corrado Dotti

Description: A new formal and material interpretation of the conical diffuser is the main feature of GORDON lamps. The essential and refined aspect with a strong character that is conferred by the shape of the brass casting; these practical and versatile lamps are suitable to be used in different environments, from the domestic to the working one as in the commercial spaces and 'hospitality'.

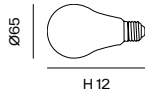
Materials: metal, aluminum, PMMA

Mounting: Floor: cable length 300 cm. Plug: type C (EU). On/off switch: 80 cm from the base on black fabric cable. Adjustable direct light: 270°. Light source: E27 bulb.

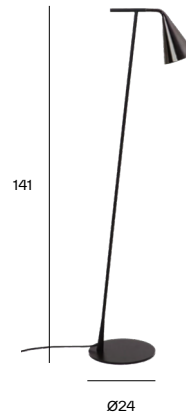
Nt. Wt.: 4,3 kg

Class: Degree of protection IP40, insulation class 2.

Note: Dimmer version available on request.
110/120V version available on request.
Max dimensions bulb (excluded):



CE IP40

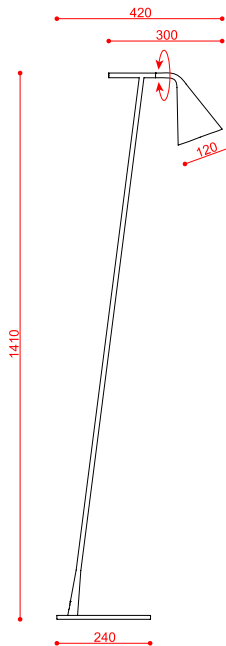


code	voltage	nominal flux	dimmability	finishes	cable (cm)	dimensions (cm)	recommended LED bulb	€
561.61	220/240V	/	on request	C2 + C2	300	H 140 - L 42	1 x E27 max 7,5W	578,00
561.61	220/240V	/	on request	C2 + C41	300	H 140 - L 42	1 x E27 max 7,5W	703,00
561.61	220/240V	/	on request	C2 + C48	300	H 140 - L 42	1 x E27 max 7,5W	703,00

Hardware Cone



C2 Matte black + C2 Matte black
C2 Matte black + C41 Brushed brass
C2 Matte black + C48 Black chrome



measurements in mm

GORDON

561.71 Ceiling

Design: Corrado Dotti

Description: A new formal and material interpretation of the conical diffuser is the main feature of GORDON lamps.

The essential and refined aspect with a strong character that is conferred by the shape of the brass casting; these practical and versatile lamps are suitable to be used in different environments, from the domestic to the working one as in the commercial spaces and 'hospitality'.

Materials: metal, aluminum, PMMA

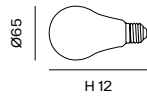
Mounting: Base: Ø 7 cm included with bracket. Adjustable direct light: 270°. Light source: E27 bulb.

Nt. Wt.: 0,8 kg

Class: Degree of protection IP40, insulation class 1.

Note: Recessed canopy available.
110/120V version available on request.
Max dimensions bulb (excluded):

CE IP40

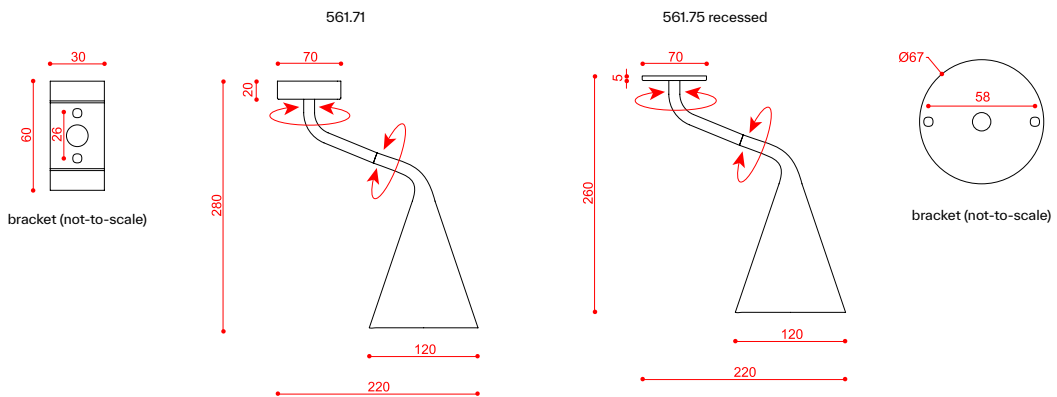


code	voltage	nominal flux	dimmiability	finishes	cable (cm)	dimensions (cm)	recommended LED bulb	€
561.71 561.75 rec	220/240V	/	according to bulb	C2 + C2	/	H 28 - L 22 H 26 - L 22	1 x E27 max 7,5W	315,00
561.71 561.75 rec	220/240V	/	according to bulb	C2 + C41	/	H 28 - L 22 H 26 - L 22	1 x E27 max 7,5W	351,00
561.71 561.75 rec	220/240V	/	according to bulb	C2 + C48	/	H 28 - L 22 H 26 - L 22	1 x E27 max 7,5W	351,00

Hardware Cone



C2 Matte black + C2 Matte black
C2 Matte black + C41 Brushed brass
C2 Matte black + C48 Black chrome



measurements in mm

LEGIER

557.14 Chandelier

Design: Corrado Dotti

Description: Collection of lamps inspired by the classical shapes of Murano diffusor usually used as decoration anywhere in a house; elegant spherical cruet apparently fragile yet very robust and functional. Versatile, elegant and robust, these lamps can be positioned on the floor, on the table, ceiling, wall and hanging, both in one-unit version or in the chandelier one with four or six elements. These lamps give class and sophistication to any location, whether it be sober or lavish.

Materials: metal, glass, brass, aluminum

Mounting: Pendant: cable length 150 cm. Canopy: Ø 50 cm included with bracket. Glass: available in opal white or smoke. Light source: Integrated LED.

Nt. Wt.: 12,7 kg

Class: Degree of protection IP40, insulation class 1.

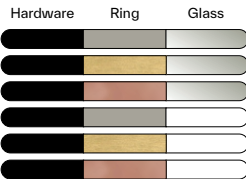
Note: Also available in E27 with opal white glass only. Custom canopy on request. Additional suspensions available on request. 110/120V version available on request.



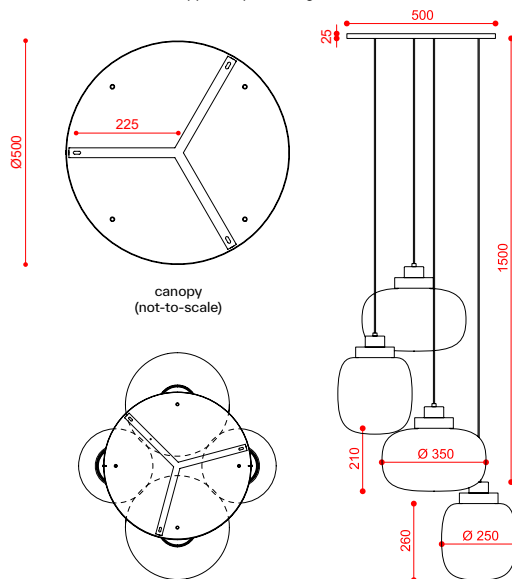
Ø 80

CE IP40

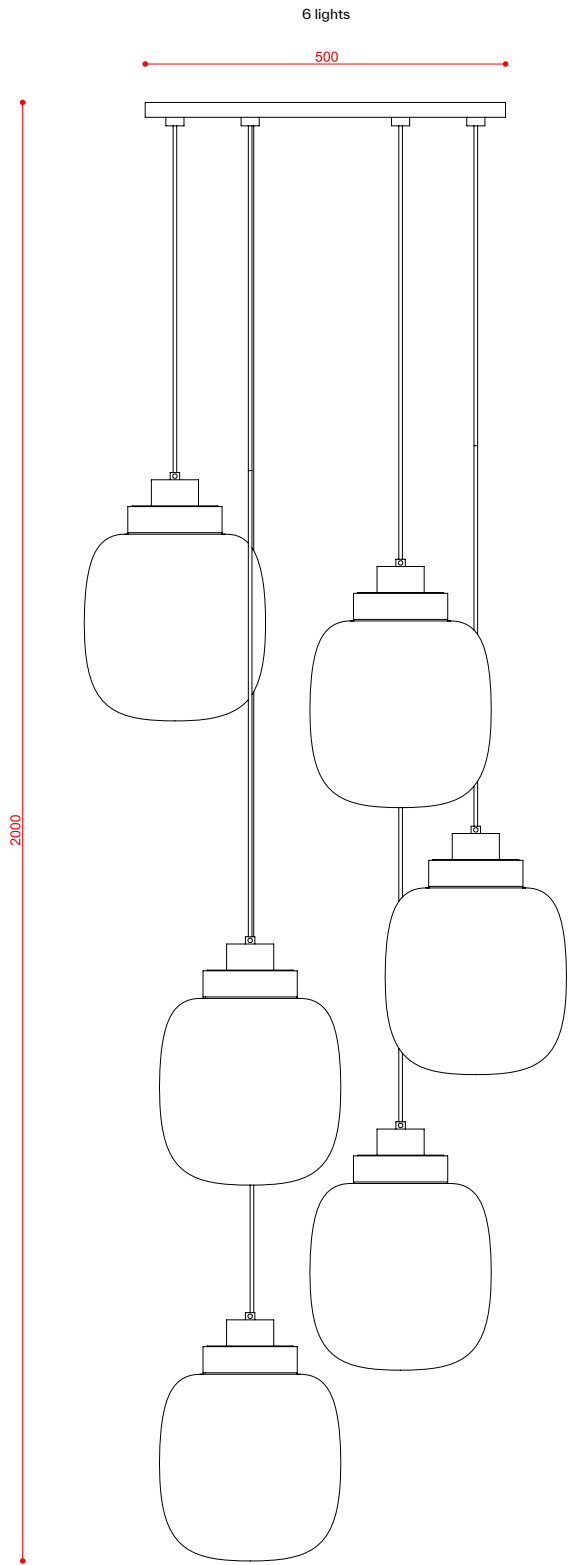
code	voltage	nominal flux	dimmability	finishes	cable (cm)	dimensions (cm)	LED	€
557.14	220/240V	4600 lm	phase cut	C74 + C30	150	Ø 80	4 x 10W 2700K	1.741,00
557.14	220/240V	4600 lm	phase cut	C74 + C41	150	Ø 80	4 x 10W 2700K	1.741,00
557.14	220/240V	4600 lm	phase cut	C74 + C99	150	Ø 80	4 x 10W 2700K	1.741,00



- C74 Sand black + C30 Light grey + Smoke glass
- C74 Sand black + C41 Brushed brass + Smoke glass
- C74 Sand black + C99 Copper + Smoke glass
- C74 Sand black + C30 Light grey + Opal white glass
- C74 Sand black + C41 Brushed brass + Opal white glass
- C74 Sand black + C99 Copper + Opal white glass



measurements in mm



LEGIER

557.22 Pendant

Picture on page 79 of the catalogue

Design: Corrado Dotti

Description: Collection of lamps inspired by the classical shapes of Murano diffusor usually used as decoration anywhere in a house; elegant spherical cruet apparently fragile yet very robust and functional. Versatile, elegant and robust, these lamps can be positioned on the floor, on the table, ceiling, wall and hanging, both in one-unit version or in the chandelier one with four or six elements. These lamps give class and sophistication to any location, whether it be sober or lavish.

Materials: metal, glass, brass, aluminum

Mounting: Pendant: cable length 150 cm. Canopy: Ø 13 cm included with bracket. Glass: available in opal white or smoke. Light source: Integrated LED.

Nt. Wt.: 2,2 kg



















Class: Degree of protection IP40, insulation class 1.

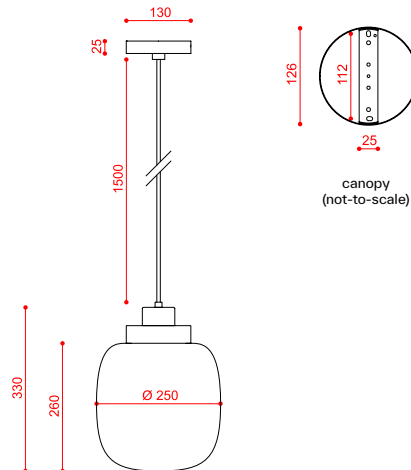
Note: Also available in E27 with opal white glass only. 110/120V version available on request.



CE  IP40

code	voltage	nominal flux	dimmability	finishes	cable (cm)	dimensions (cm)	LED	€
557.22	220/240V	1150 lm	phase cut	C74 + C30	150	H 33 - Ø 25	10W 2700K	404,00
557.22	220/240V	1150 lm	phase cut	C74 + C41	150	H 33 - Ø 25	10W 2700K	404,00
557.22	220/240V	1150 lm	phase cut	C74 + C99	150	H 33 - Ø 25	10W 2700K	404,00

Hardware	Ring	Glass	
			C74 Sand black + C30 Light grey + Smoke glass
			C74 Sand black + C41 Brushed brass + Smoke glass
			C74 Sand black + C99 Copper + Smoke glass
			C74 Sand black + C30 Light grey + Opal white glass
			C74 Sand black + C41 Brushed brass + Opal white glass
			C74 Sand black + C99 Copper + Opal white glass



measurements in mm

LEGIER

557.24 Pendant

Picture on page 79 of the catalogue

Design: Corrado Dotti

Description: Collection of lamps inspired by the classical shapes of Murano diffusor usually used as decoration anywhere in a house; elegant spherical cruet apparently fragile yet very robust and functional. Versatile, elegant and robust, these lamps can be positioned on the floor, on the table, ceiling, wall and hanging, both in one-unit version or in the chandelier one with four or six elements. These lamps give class and sophistication to any location, whether it be sober or lavish.

Materials: metal, glass, brass, aluminum

Mounting: Pendant: cable length 150 cm. Canopy: Ø 13 cm included with bracket. Glass: available in opal white or smoke. Light source: Integrated LED.

Nt. Wt.: 2,2 kg



















Class: Degree of protection IP40, insulation class 1.

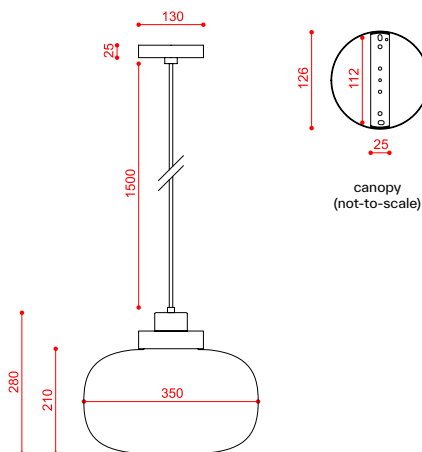
Note: Also available in E27 with opal white glass only. 110/120V version available on request.

CE  IP40



code	voltage	nominal flux	dimmability	finishes	cable (cm)	dimensions (cm)	LED	€
557.24	220/240V	1150 lm	phase cut	C74 + C30	150	H 28 - Ø 35	10W 2700K	451,00
557.24	220/240V	1150 lm	phase cut	C74 + C41	150	H 28 - Ø 35	10W 2700K	451,00
557.24	220/240V	1150 lm	phase cut	C74 + C99	150	H 28 - Ø 35	10W 2700K	451,00

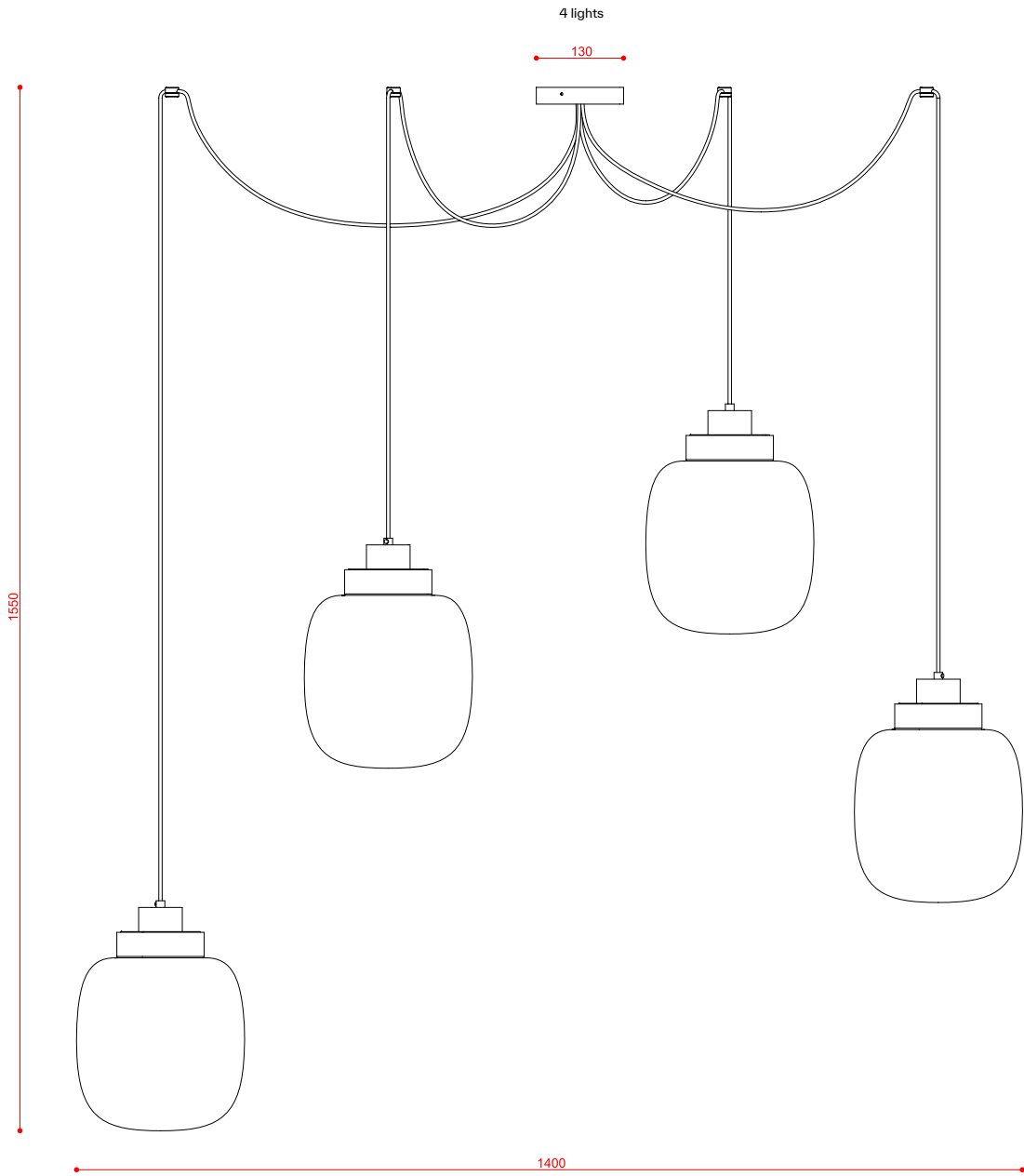
Hardware	Ring	Glass	
			C74 Sand black + C30 Light grey + Smoke glass
			C74 Sand black + C41 Brushed brass + Smoke glass
			C74 Sand black + C99 Copper + Smoke glass
			C74 Sand black + C30 Light grey + Opal white glass
			C74 Sand black + C41 Brushed brass + Opal white glass
			C74 Sand black + C99 Copper + Opal white glass



measurements in mm

Suggested application

LEGIER Pendant



LEGIER

557.26 Chandelier

Picture on page 74/76/77 of the catalogue

Design: Corrado Dotti

Description: Collection of lamps inspired by the classical shapes of Murano diffusor usually used as decoration anywhere in a house; elegant spherical cruet apparently fragile yet very robust and functional. Versatile, elegant and robust, these lamps can be positioned, both in one-unit version or in the chandelier one with four or six elements. These lamps give class and sophistication to any location, whether it be sober or lavish.

Materials: metal, glass, brass, aluminum

Mounting: Pendant: cable length 150 cm. Canopy: Ø 23 cm included with bracket. Ceiling attachment: 6 included. Glass: available in opal white or smoke. Light source: Integrated LED.

Nt. Wt.: 15,6 kg

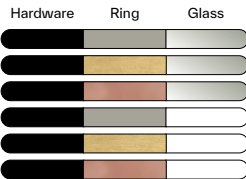
Class: Degree of protection IP40, insulation class 1.

Note: Also available in E27 with opal white glass only. Custom canopy on request. Additional suspensions available on request. 110/120V version available on request.

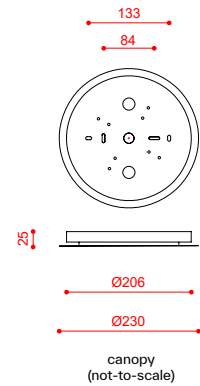
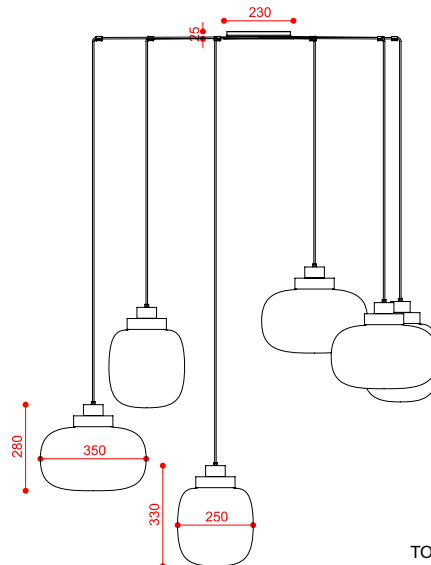
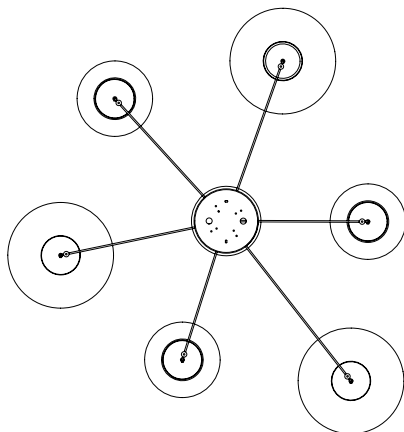


CE \oplus IP40

code	voltage	nominal flux	dimmability	finishes	cable (cm)	dimensions (cm)	LED	€
557.26	220/240V	6900 lm	phase cut	C74 + C30	150	H 50/100 Ø 100/200	6 x 10W 2700K	2.536,00
557.26	220/240V	6900 lm	phase cut	C74 + C41	150	H 50/100 Ø 100/200	6 x 10W 2700K	2.536,00
557.26	220/240V	6900 lm	phase cut	C74 + C99	150	H 50/100 Ø 100/200	6 x 10W 2700K	2.536,00



- C74 Sand black + C30 Light grey + Smoke glass
- C74 Sand black + C41 Brushed brass + Smoke glass
- C74 Sand black + C99 Copper + Smoke glass
- C74 Sand black + C30 Light grey + Opal white glass
- C74 Sand black + C41 Brushed brass + Opal white glass
- C74 Sand black + C99 Copper + Opal white glass



measurements in mm

LEGIER

557.32 Table

Picture on page 78 of the catalogue

Design: Corrado Dotti

Description: Collection of lamps inspired by the classical shapes of Murano diffusor usually used as decoration anywhere in a house; elegant spherical cruet apparently fragile yet very robust and functional. Versatile, elegant and robust. These lamps give class and sophistication to any location, whether it be sober or lavish.

Materials: metal, glass, brass, aluminum

Mounting: Table: cable length 150 cm. Plug: type C (EU). Dimmer: 50 cm from the base on black fabric cable. Glass: available in opal white or smoke. Light source: Integrated LED.

Nt. Wt.: 2,2 kg

Class: Degree of protection IP40, insulation class 2.

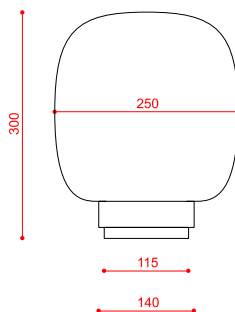
Note: Also available in E27 with opal white glass only. 110/120V version available on request.



CE IP40

code	voltage	nominal flux	dimmability	finishes	cable (cm)	dimensions (cm)	LED	€
557.32	220/240V	1150 lm	phase cut	C74 + C30	150	H 30 - Ø 25	10W 2700K	422,00
557.32	220/240V	1150 lm	phase cut	C74 + C41	150	H 30 - Ø 25	10W 2700K	422,00
557.32	220/240V	1150 lm	phase cut	C74 + C99	150	H 30 - Ø 25	10W 2700K	422,00

Hardware	Ring	Glass	
			C74 Sand black + C30 Light grey + Smoke glass
			C74 Sand black + C41 Brushed brass + Smoke glass
			C74 Sand black + C99 Copper + Smoke glass
			C74 Sand black + C30 Light grey + Opal white glass
			C74 Sand black + C41 Brushed brass + Opal white glass
			C74 Sand black + C99 Copper + Opal white glass



measurements in mm

LEGIER

557.34 Table

Picture on page 73/80/81/82 of the catalogue

Design: Corrado Dotti

Description: Collection of lamps inspired by the classical shapes of Murano diffusor usually used as decoration anywhere in a house; elegant spherical cruet apparently fragile yet very robust and functional. Versatile, elegant and robust. These lamps give class and sophistication to any location, whether it be sober or lavish.

Materials: metal, glass, brass, aluminum

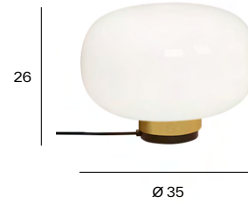
Mounting: Table: cable length 150 cm. Plug: type C (EU). Dimmer: 50 cm from the base on black fabric cable. Glass: available in opal white or smoke. Light source: Integrated LED.

Nt. Wt.: 3 kg



















Class: Degree of protection IP40, insulation class 2.

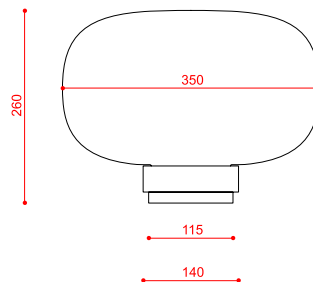
Note: Also available in E27 with opal white glass only. 110/120V version available on request.

CE  IP40



code	voltage	nominal flux	dimmability	finishes	cable (cm)	dimensions (cm)	LED	€
557.34	220/240V	1150 lm	phase cut	C74 + C30	150	H 28 - Ø 35	10W 2700K	468,00
557.34	220/240V	1150 lm	phase cut	C74 + C41	150	H 28 - Ø 35	10W 2700K	468,00
557.34	220/240V	1150 lm	phase cut	C74 + C99	150	H 28 - Ø 35	10W 2700K	468,00

Hardware	Ring	Glass	
			C74 Sand black + C30 Light grey + Smoke glass
			C74 Sand black + C41 Brushed brass + Smoke glass
			C74 Sand black + C99 Copper + Smoke glass
			C74 Sand black + C30 Light grey + Opal white glass
			C74 Sand black + C41 Brushed brass + Opal white glass
			C74 Sand black + C99 Copper + Opal white glass



measurements in mm

LEGIER

557.42 Wall

Design: Corrado Dotti

Description: Collection of lamps inspired by the classical shapes of Murano diffusor usually used as decoration anywhere in a house; elegant spherical cruet apparently fragile yet very robust and functional. Versatile, elegant and robust. These lamps give class and sophistication to any location, whether it be sober or lavish.

Materials: metal, glass, brass, aluminum

Mounting: Base: Ø 11,5 cm included with bracket. Glass: available in opal white or smoke. Light source: Integrated LED.

Nt. Wt.: 3,3 kg

Class: Degree of protection IP40, insulation class 1.

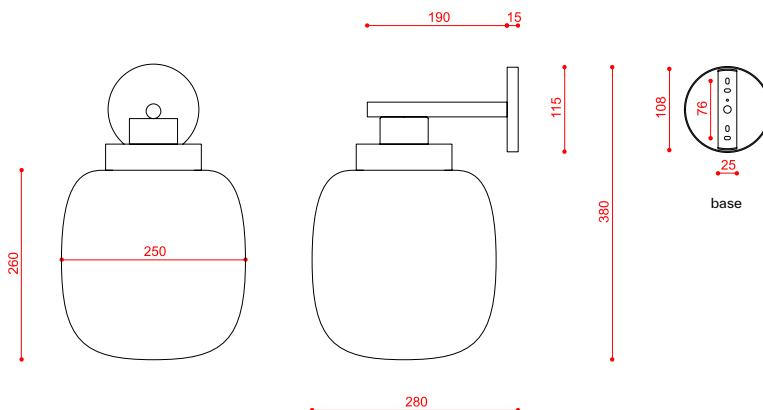
Note: Also available in E27 with opal white glass only. 110/120V version available on request.

CE IP40



code	voltage	nominal flux	dimmability	finishes	cable (cm)	dimensions (cm)	LED	€
557.42	220/240V	1150 lm	phase cut	C74 + C30	/	H 38 - Ø 25	10W 2700K	432,00
557.42	220/240V	1150 lm	phase cut	C74 + C41	/	H 38 - Ø 25	10W 2700K	432,00
557.42	220/240V	1150 lm	phase cut	C74 + C99	/	H 38 - Ø 25	10W 2700K	432,00

Hardware	Ring	Glass	
			C74 Sand black + C30 Light grey + Smoke glass
			C74 Sand black + C41 Brushed brass + Smoke glass
			C74 Sand black + C99 Copper + Smoke glass
			C74 Sand black + C30 Light grey + Opal white glass
			C74 Sand black + C41 Brushed brass + Opal white glass
			C74 Sand black + C99 Copper + Opal white glass



measurements in mm

LEGIER

557.44 Wall

Design: Corrado Dotti

Description: Collection of lamps inspired by the classical shapes of Murano diffusor usually used as decoration anywhere in a house; elegant spherical cruet apparently fragile yet very robust and functional. Versatile, elegant and robust. These lamps give class and sophistication to any location, whether it be sober or lavish.

Materials: metal, glass, brass, aluminum

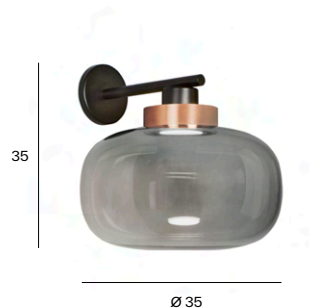
Mounting: Base: Ø 11,5 cm included with bracket. Glass: available in opal white or smoke. Light source: Integrated LED.

Nt. Wt.: 4,1 kg

Class: Degree of protection IP40, insulation class 1.

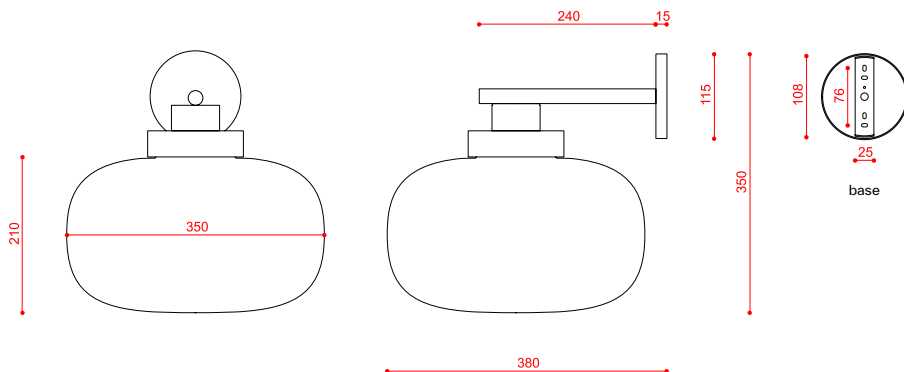
Note: Also available in E27 with opal white glass only. 110/120V version available on request.

CE IP40



code	voltage	nominal flux	dimmability	finishes	cable (cm)	dimensions (cm)	LED	€
557.44	220/240V	1150 lm	phase cut	C74 + C30	/	H 35 - Ø 35	10W 2700K	507,00
557.44	220/240V	1150 lm	phase cut	C74 + C41	/	H 35 - Ø 35	10W 2700K	507,00
557.44	220/240V	1150 lm	phase cut	C74 + C99	/	H 35 - Ø 35	10W 2700K	507,00

Hardware	Ring	Glass	
			C74 Sand black + C30 Light grey + Smoke glass
			C74 Sand black + C41 Brushed brass + Smoke glass
			C74 Sand black + C99 Copper + Smoke glass
			C74 Sand black + C30 Light grey + Opal white glass
			C74 Sand black + C41 Brushed brass + Opal white glass
			C74 Sand black + C99 Copper + Opal white glass



LEGIER

557.72 Ceiling

Design: Corrado Dotti

Description: Collection of lamps inspired by the classical shapes of Murano diffusor usually used as decoration anywhere in a house; elegant spherical cruet apparently fragile yet very robust and functional. Versatile, elegant and robust. These lamps give class and sophistication to any location, whether it be sober or lavish.

Materials: metal, glass, brass, aluminum

Mounting: Base: Ø11,5 cm included with bracket. Glass: available in opal white or smoke. Light source: Integrated LED.

Nt. Wt.: 2,2 kg

Class: Degree of protection IP40, insulation class 1.

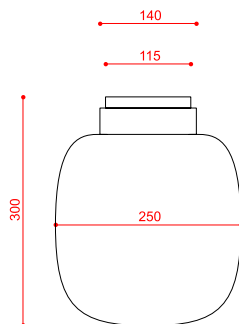
Note: Also available in E27 with opal white glass only. 110/120V version available on request.

CE IP40



code	voltage	nominal flux	dimmability	finishes	cable (cm)	dimensions (cm)	LED	€
557.72	220/240V	1150 lm	phase cut	C74 + C30	/	H 30 - Ø 25	10W 2700K	374,00
557.72	220/240V	1150 lm	phase cut	C74 + C41	/	H 30 - Ø 25	10W 2700K	374,00
557.72	220/240V	1150 lm	phase cut	C74 + C99	/	H 30 - Ø 25	10W 2700K	374,00

Hardware	Ring	Glass	
			C74 Sand black + C30 Light grey + Smoke glass
			C74 Sand black + C41 Brushed brass + Smoke glass
			C74 Sand black + C99 Copper + Smoke glass
			C74 Sand black + C30 Light grey + Opal white glass
			C74 Sand black + C41 Brushed brass + Opal white glass
			C74 Sand black + C99 Copper + Opal white glass



measurements in mm

LEGIER

557.74 Ceiling

Design: Corrado Dotti

Description: Collection of lamps inspired by the classical shapes of Murano diffusor usually used as decoration anywhere in a house; elegant spherical cruet apparently fragile yet very robust and functional. Versatile, elegant and robust. These lamps give class and sophistication to any location, whether it be sober or lavish.

Materials: metal, glass, brass, aluminum

Mounting: Base: Ø 11,5 cm included with bracket. Glass: available in opal white or smoke. Light source: Integrated LED.

Nt. Wt.: 3 kg

Class: Degree of protection IP40, insulation class 1.

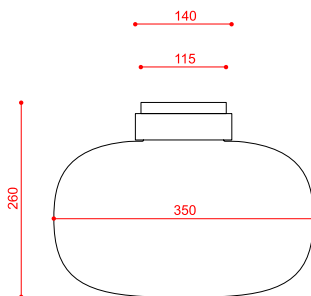
Note: Also available in E27 with opal white glass only. 110/120V version available on request.

CE \oplus IP40



code	voltage	nominal flux	dimmability	finishes	cable (cm)	dimensions (cm)	LED	€
557.74	220/240V	1150 lm	phase cut	C74 + C30	/	H 26 - Ø 35	10W 2700K	422,00
557.74	220/240V	1150 lm	phase cut	C74 + C41	/	H 26 - Ø 35	10W 2700K	422,00
557.74	220/240V	1150 lm	phase cut	C74 + C99	/	H 26 - Ø 35	10W 2700K	422,00

Hardware	Ring	Glass	
			C74 Sand black + C30 Light grey + Smoke glass
			C74 Sand black + C41 Brushed brass + Smoke glass
			C74 Sand black + C99 Copper + Smoke glass
			C74 Sand black + C30 Light grey + Opal white glass
			C74 Sand black + C41 Brushed brass + Opal white glass
			C74 Sand black + C99 Copper + Opal white glass



measurements in mm

LEI

564.41 Wall/Ceiling

Picture on page 85/88 of the catalogue

Design: Studio10

Description: In a world of spotlights with a masculine feel, Lei emerges: a system of technical spotlights with a crystalline and elegant aesthetic, based on curved elements that evoke the grace of the feminine universe, such as sartorial pleats and the sophisticated workmanship of precious perfume bottles. Available in matte black, brass, nickel and titanium finishes with clear and frosted glass or smoked, bottle green and red available on request. Lei is destined to capture every eye that passes, with its brilliant aesthetic presence.

Materials: metal, glass

Mounting: Base: Ø 7,1x2 cm included with bracket. Adjustable direct light: 355° in the horizontal plane and 90° in the vertical plane. Light source: Gu10 bulb. Standard glass: Clear, Frost. Glass available on request: Smoke, Ruby Red, Bottle Green.

Nt. Wt.: 0,6 kg

Class: Degree of protection IP20, insulation class 1.

Note: Recessed base available on request.
110/120V version available on request.
Max dimensions bulb (not included):

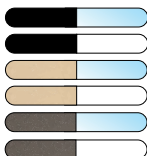


CE IP20

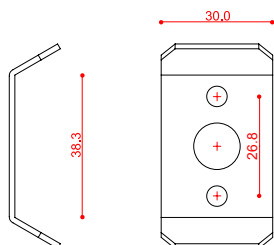


code	voltage	nominal flux	dimmability	finishes	cable (cm)	dimensions (cm)	recommended LED bulb	€
564.41	220/240V	/	according to bulb	C2 / C42 / C70	/	H 20 - L 12	1 x Gu10 max 4,5W	358,00

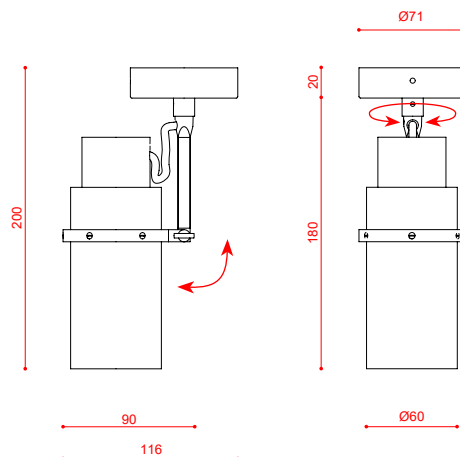
Hardware Glass



- C2 Matte Black + Clear Glass
- C2 Matte Black + Frost Glass
- C42 Satin Brass + Clear Glass
- C42 Satin Brass + Frost Glass
- C70 Titanium + Clear Glass
- C70 Titanium + Frost Glass



bracket (not-to-scale)



measurements in mm

LEI

564.42 Wall/Ceiling

Picture on page 87/91/92 of the catalogue

Design: Studio10

Description: In a world of spotlights with a masculine feel, Lei emerges: a system of technical spotlights with a crystalline and elegant aesthetic, based on curved elements that evoke the grace of the feminine universe, such as sartorial pleats and the sophisticated workmanship of precious perfume bottles. Available in matte black, brass, nickel and titanium finishes with clear and frosted glass or smoked, bottle green and red available on request. Lei is destined to capture every eye that passes, with its brilliant aesthetic presence.

Materials: metal, glass

Mounting: Base: Ø 7,1x2 cm included with bracket. Light source: integrated LED, 12-40V, CC 160mA. CRI>90. Dimmable LED. Lens: medium 24° beam. Adjustable direct light: 355° in the horizontal plane and 90° in the vertical plane. Standard glass: Clear, Frost. Glass available on request: Smoke, Ruby Red, Bottle Green.

Nt. Wt.: 0,6 kg

Class: Degree of protection IP20, insulation class 3.

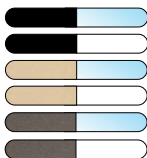
Note: Remote driver included.
110/120V version available on request.
Recessed base available on request.
Lens: 18° beam and 36° beam available on request.

CE IP20

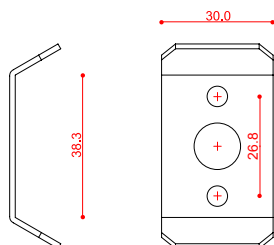


code	voltage	nominal flux	dimmiability	finishes	cable (cm)	dimensions (cm)	LED	€
564.42	12-40V CC 160mA	660 lm	phase cut	C2 / C42 / C70	/	H 20 - L 12	5W 2700K	388,00

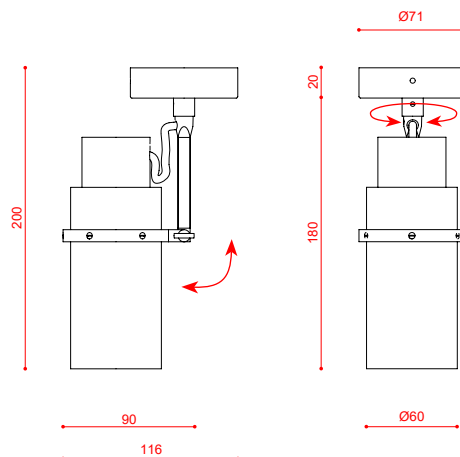
Hardware Glass



C2 Matte Black + Clear Glass
C2 Matte Black + Frost Glass
C42 Satin Brass + Clear Glass
C42 Satin Brass + Frost Glass
C70 Titanium + Clear Glass
C70 Titanium + Frost Glass



bracket (not-to-scale)



measurements in mm

LEI

564.45 Track

Picture on page 87 of the catalogue

Design: Studio10

Description: In a world of spotlights with a masculine feel, Lei emerges: a system of technical spotlights with a crystalline and elegant aesthetic, based on curved elements that evoke the grace of the feminine universe, such as sartorial pleats and the sophisticated workmanship of precious perfume bottles. Available in matte black, brass, nickel and titanium finishes with clear and frosted glass or smoked, bottle green and red available on request. Lei is destined to capture every eye that passes, with its brilliant aesthetic presence.

Materials: metal, glass

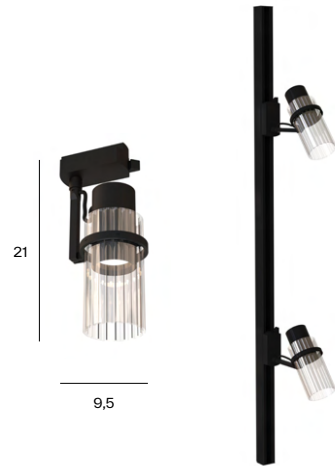
Mounting: 220V track mechanical single spot adapter: 8,5x3,5x3 cm. Adjustable direct light: 355° in the horizontal plane and 90° in the vertical plane. Light source: Gu10 bulb. Standard glass: Clear, Frost. Glass available on request: Smoke, Ruby Red, Bottle Green.

Nt. Wt.: 0,6 kg

Class: Degree of protection IP20, insulation class 2.

Note: 110/120V version available on request.
Max dimensions bulb (not included):

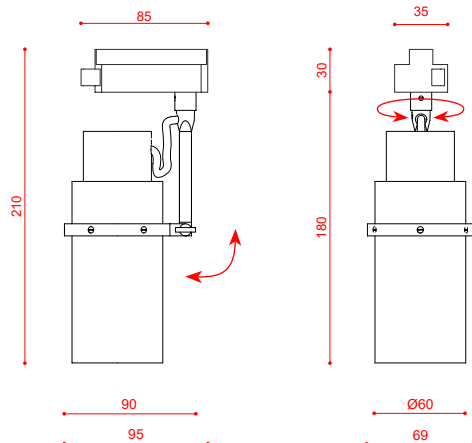
CE IP20



code	voltage	nominal flux	dimmiability	finishes	mounting	dimensions (cm)	recommended LED bulb	€
564.45	220/240V	/	according to bulb	C2 / C42 / C70	on track 230V	H 21 - L 9,5	1 x Gu10 max 4,5W	375,00

Track and accessories configuration on page 205

Hardware	Glass	
		C2 Matte Black + Clear Glass
		C2 Matte Black + Frost Glass
		C42 Satin Brass + Clear Glass
		C42 Satin Brass + Frost Glass
		C70 Titanium + Clear Glass
		C70 Titanium + Frost Glass



measurements in mm

LEI

564.46 Track

Picture on page 89 of the catalogue

Design: Studio10

Description: In a world of spotlights with a masculine feel, Lei emerges: a system of technical spotlights with a crystalline and elegant aesthetic, based on curved elements that evoke the grace of the feminine universe, such as sartorial pleats and the sophisticated workmanship of precious perfume bottles. Available in matte black, brass, nickel and titanium finishes with clear and frosted glass or smoked, bottle green and red available on request. Lei is destined to capture every eye that passes, with its brilliant aesthetic presence.

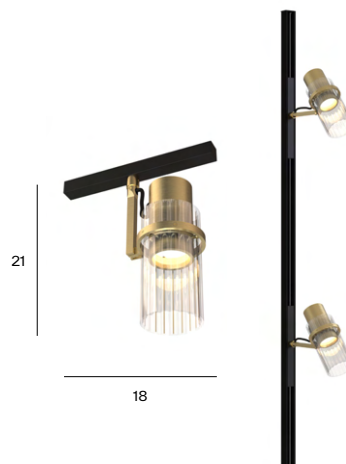
Materials: metal, glass

Mounting: 48V track mechanical single spot adapter: 17,7x1,6x1,6 cm. Light source: integrated LED, 12-40V, CC 160mA. CRI>90. Dimmable LED. Lens: medium 24° beam. Adjustable direct light: 355° in the horizontal plane and 90° in the vertical plane. Standard glass: Clear, Frost. Glass available on request: Smoke, Ruby Red, Bottle Green.

Nt. Wt.: 0,6 kg

Class: Degree of protection IP20, insulation class 3.

Note: Remote 48V track driver included on request.
Remote Casambi DALI included on request.
110/120V version available on request.
Lens: 18° beam and 36° beam available on request.

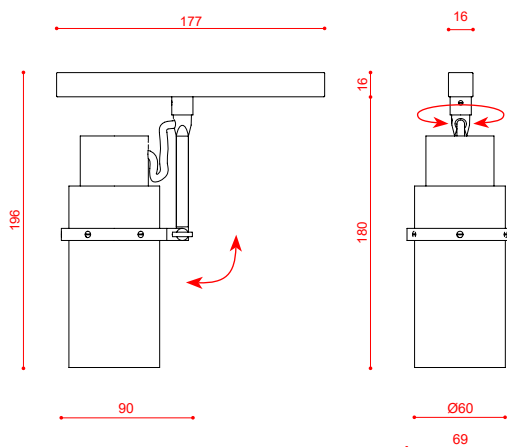


CE IP20

code	voltage	nominal flux	dimmiability	finishes	mounting	dimensions (cm)	LED	€
564.46	48V	660 lm	DALI	C2 / C42 / C70	on track 48V	H 20 - L 18	5W 2700K	425,00

Track and accessories configuration on page 205

Hardware	Glass	
		C2 Matte Black + Clear Glass
		C2 Matte Black + Frost Glass
		C42 Satin Brass + Clear Glass
		C42 Satin Brass + Frost Glass
		C70 Titanium + Clear Glass
		C70 Titanium + Frost Glass



measurements in mm

LEI

564.21 Pendant

Design: Studio10

Description: In a world of spotlights with a masculine feel, Lei emerges: a system of technical spotlights with a crystalline and elegant aesthetic, based on curved elements that evoke the grace of the feminine universe, such as sartorial pleats and the sophisticated workmanship of precious perfume bottles. Available in matte black, brass, nickel and titanium finishes with clear and frosted glass or smoked, bottle green and red available on request. Lei is destined to capture every eye that passes, with its brilliant aesthetic presence.

Materials: metal, glass

Mounting: Canopy: Ø6x3 cm included with bracket. Light source: Gu10 bulb. Standard glass: Clear, Frost. Glass available on request: Smoke, Ruby Red, Bottle Green.

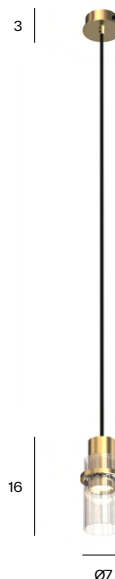
Nt. Wt.: 0,6 kg

Class: Degree of protection IP20, insulation class 1.

Note: 110/120V version available on request.
Base for Junction Box included on request only.
Max dimensions bulb (not included):

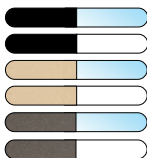


CE IP20

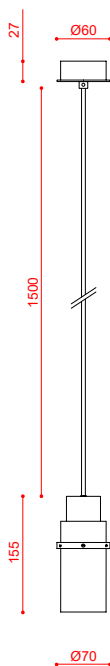


code	voltage	nominal flux	dimmiability	finishes	cable (cm)	dimensions (cm)	recommended LED bulb	€
564.21	220/240V	/	according to bulb	C2 / C42 / C70	/	H 16 - Ø7	1 x Gu10 max 4,5W	382,00

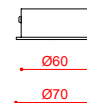
Hardware Glass



C2 Matte Black + Clear Glass
C2 Matte Black + Frost Glass
C42 Satin Brass + Clear Glass
C42 Satin Brass + Frost Glass
C70 Titanium + Clear Glass
C70 Titanium + Frost Glass



canopy (not-to-scale)



measurements in mm

LEI

564.22 Pendant

Design: Studio10

Description: In a world of spotlights with a masculine feel, Lei emerges: a system of technical spotlights with a crystalline and elegant aesthetic, based on curved elements that evoke the grace of the feminine universe, such as sartorial pleats and the sophisticated workmanship of precious perfume bottles. Available in matte black, brass, nickel and titanium finishes with clear and frosted glass or smoked, bottle green and red available on request. Lei is destined to capture every eye that passes, with its brilliant aesthetic presence.

Materials: metal, glass

Mounting: Canopy: Ø 8x4 cm included with bracket. Light source: integrated LED, (12-40)V, CC 160mA. CRI>90. Dimmable LED. Lens: medium 24° beam. Standard glass: Clear, Frost. Glass available on request: Smoke, Ruby Red, Bottle Green.

Nt. Wt.: 0,6 kg

Class: Degree of protection IP20, insulation class 1.

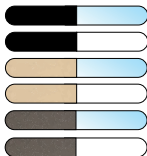
Note: Driver on board.
110/120V version available on request.
Base for Junction Box included on request only.
Lens: 18° beam and 36° beam available on request.



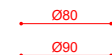
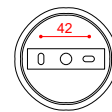
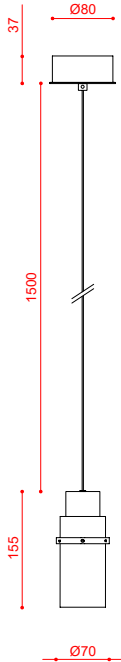
CE IP20

code	voltage	nominal flux	dimmiability	finishes	cable (cm)	dimensions (cm)	LED	€
564.22	220/240V	660 lm	phase cut	C2 / C42 / C70	150	H 16 - Ø 9	5,4W 2700K	397,00

Hardware Glass



- C2 Matte Black + Clear Glass
- C2 Matte Black + Frost Glass
- C42 Satin Brass + Clear Glass
- C42 Satin Brass + Frost Glass
- C70 Titanium + Clear Glass
- C70 Titanium + Frost Glass



canopy (not-to-scale)

measurements in mm

LEI

564.71 Ceiling

Design: Studio10

Description: In a world of spotlights with a masculine feel, Lei emerges: a system of technical spotlights with a crystalline and elegant aesthetic, based on curved elements that evoke the grace of the feminine universe, such as sartorial pleats and the sophisticated workmanship of precious perfume bottles. Available in matte black, brass, nickel and titanium finishes with clear and frosted glass or smoked, bottle green and red available on request. Lei is destined to capture every eye that passes, with its brilliant aesthetic presence.

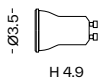
Materials: metal, glass

Mounting: Ceiling hole: Ø 12cm. Light source: Gu10 bulb. Standard glass: Clear, Frost. Glass available on request: Smoke, Ruby Red, Bottle Green.

Nt. Wt.: 0,8 kg

Class: Degree of protection IP20, insulation class 1.

Note: 110/120V version available on request.
Max dimensions bulb (not included):

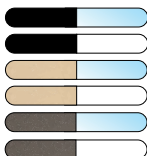


CE IP20

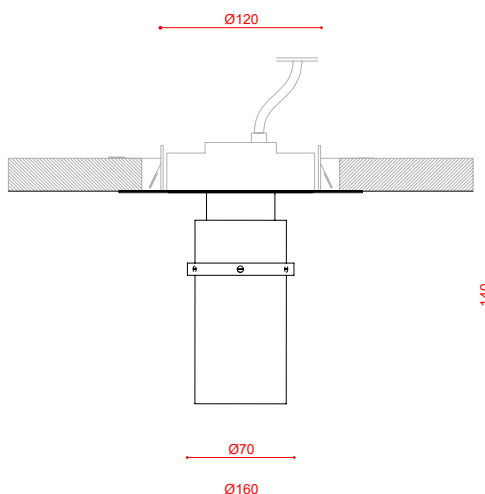


code	voltage	nominal flux	dimmability	finishes	cable (cm)	dimensions (cm)	recommended LED bulb	€
564.71	220/240V	/	according to bulb	C2 / C42 / C70	/	H 14 - Ø 16	1 x Gu10 max 4,5W	358,00

Hardware Glass



- C2 Matte Black + Clear Glass
- C2 Matte Black + Frost Glass
- C42 Satin Brass + Clear Glass
- C42 Satin Brass + Frost Glass
- C70 Titanium + Clear Glass
- C70 Titanium + Frost Glass



measurements in mm

LEI

564.72 Ceiling

Design: Studio10

Description: In a world of spotlights with a masculine feel, Lei emerges: a system of technical spotlights with a crystalline and elegant aesthetic, based on curved elements that evoke the grace of the feminine universe, such as sartorial pleats and the sophisticated workmanship of precious perfume bottles. Available in matte black, brass, nickel and titanium finishes with clear and frosted glass or smoked, bottle green and red available on request. Lei is destined to capture every eye that passes, with its brilliant aesthetic presence.

Materials: metal, glass

Mounting: Ceiling hole: Ø 12cm. Light source: integrated LED, 12-40Vdc, CC 160mA. CRI>90. Dimmable LED. Lens: medium 24° beam. Standard glass: Clear, Frost. Glass available on request: Smoke, Ruby Red, Bottle Green.

Nt. Wt.: 0,8 kg













Class: Degree of protection IP20, insulation class 3.

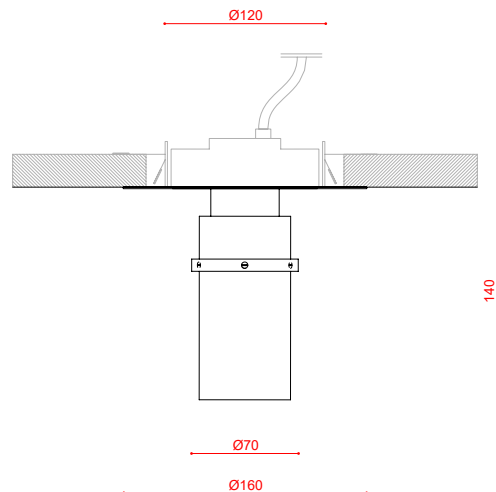
Note: Remote driver included.
110/120V version available on request.
Lens: 18° beam and 36° beam available on request.



CE IP20

code	voltage	nominal flux	dimmiability	finishes	cable (cm)	dimensions (cm)	LED	€
564.42	12-40V CC 160mA	660 lm	phase cut	C2 / C42 / C70	/	H 14 - Ø 16	5W 2700K	388,00

Hardware	Glass	
		C2 Matte Black + Clear Glass
		C2 Matte Black + Frost Glass
		C42 Satin Brass + Clear Glass
		C42 Satin Brass + Frost Glass
		C70 Titanium + Clear Glass
		C70 Titanium + Frost Glass



measurements in mm

LEI

564.61 Floor

Design: Studio10

Description: In a world of spotlights with a masculine feel, Lei emerges: a system of technical spotlights with a crystalline and elegant aesthetic, based on curved elements that evoke the grace of the feminine universe, such as sartorial pleats and the sophisticated workmanship of precious perfume bottles. Available in matte black, brass, nickel and titanium finishes with clear and frosted glass or smoked, bottle green and red available on request. Lei is destined to capture every eye that passes, with its brilliant aesthetic presence.

Materials: metal, glass

Mounting: Adjustable direct light: 90° in the vertical plane. Light source: Gu10 bulb. Standard glass: Clear, Frost. Glass available on request: Smoke, Ruby Red, Bottle Green.

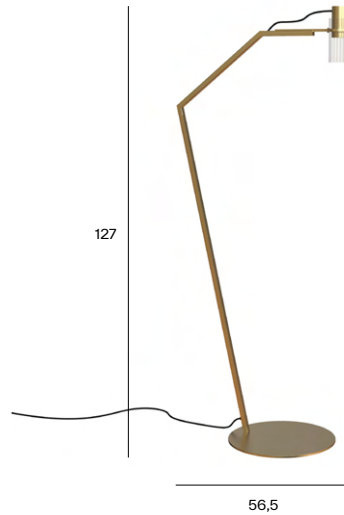
Nt. Wt.: 6,5 kg

Class: Degree of protection IP20, insulation class 2.

Note: 110/120V version available on request.
Max dimensions bulb (not included):

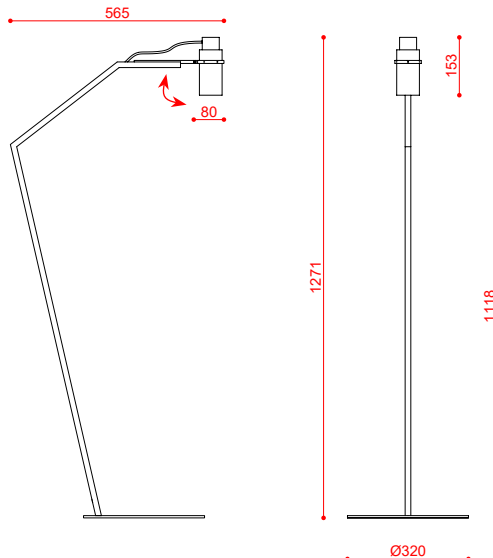


CE IP20



code	voltage	nominal flux	dimmability	finishes	cable (cm)	dimensions (cm)	recommended LED bulb	€
564.61	220/240V	/	according to bulb	C2 / C42 / C70	300	H 127 - L 56,5	1 x Gu10 max 4,5W	1.250,00

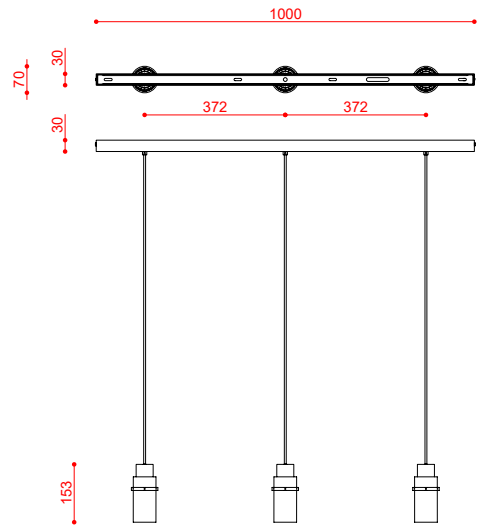
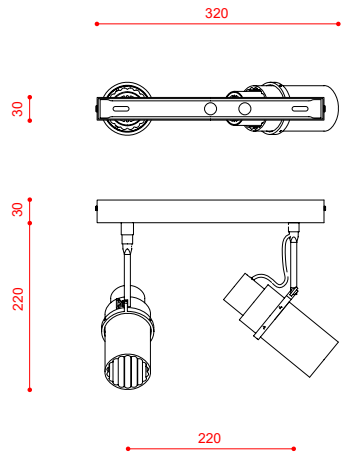
- | Hardware | Glass | |
|----------|-------|-------------------------------|
| | | C2 Matte Black + Clear Glass |
| | | C2 Matte Black + Frost Glass |
| | | C42 Satin Brass + Clear Glass |
| | | C42 Satin Brass + Frost Glass |
| | | C70 Titanium + Clear Glass |
| | | C70 Titanium + Frost Glass |



measurements in mm

Suggested application

LEI Ceiling - Pendant



LILLY

558.22 Pendant

Design: Corrado Dotti

Description: Collection of lamps characterized by an oriental taste, reinterpreting the lightness, sobriety and minimalism of Asian design. These lamps have a metal structure painted with epoxy powder and a coated with mesh diffuser. Versatile and elegant, this collection presents different versions: hanging lamps in three different sizes, a wall lamp, table lamp and floor lamp. These objects give any environment a kind of simple elegance through the sophisticated design and materials.

Materials: metal, fabric

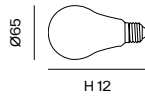
Mounting: Pendant: cable length 150 cm. Canopy: Ø 13 cm included with bracket. Light source: E27 bulb.

Nt. Wt.: 0,5 kg

Class: Degree of protection IP40, insulation class 1.

Note: Custom canopy on request.
110/120V version available on request.
Max dimensions bulb (excluded):

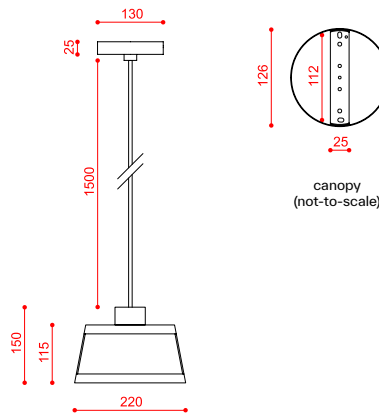
CE  IP40



code	voltage	nominal flux	dimmability	finishes	cable (cm)	dimensions (cm)	recommended LED bulb	€
558.22	220/240V	/	according to bulb	C74 + Beige fabric	150	H 15 - Ø 22	1 x E27 max 15W	154,00



C74 Sand black + Beige fabric and black net



measurements in mm

LILLY

558.23 Pendant

Design: Corrado Dotti

Description: Collection of lamps characterized by an oriental taste, reinterpreting the lightness, sobriety and minimalism of Asian design. These lamps have a metal structure painted with epoxy powder and a coated with mesh diffusor. Versatile and elegant, this collection presents different versions: hanging lamps in three different sizes, a wall lamp, table lamp and floor lamp. These objects give any environment a kind of simple elegance through the sophisticated design and materials.

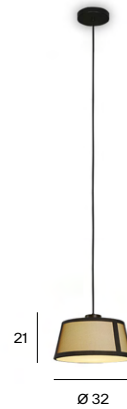
Materials: metal, fabric

Mounting: Pendant: cable length 150 cm. Canopy: Ø 13 cm included with bracket. Light source: E27 bulb.

Nt. Wt.: 0,8 kg


Class: Degree of protection IP40, insulation class 1.

Note: Custom canopy on request.
110/120V version available on request.

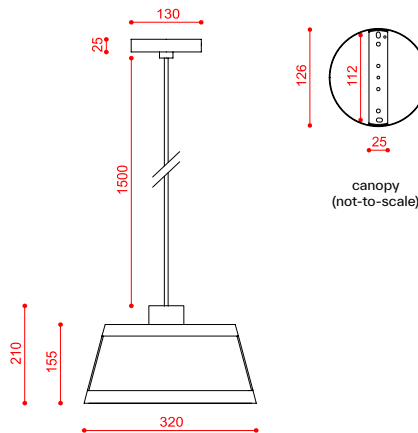


CE  IP40

code	voltage	nominal flux	dimmiability	finishes	cable (cm)	dimensions (cm)	recommended LED bulb	€
558.23	220/240V	/	according to bulb	C74 + Beige fabric	150	H 21 - Ø 32	1 x E27 max 15W	193,00

Hardware  Fabric 

C74 Sand black + Beige fabric and black net



measurements in mm

LILLY

558.25 Pendant

Design: Corrado Dotti

Description: Collection of lamps characterized by an oriental taste, reinterpreting the lightness, sobriety and minimalism of Asian design. These lamps have a metal structure painted with epoxy powder and a coated with mesh diffusor. Versatile and elegant, this collection presents different versions: hanging lamps in three different sizes, a wall lamp, table lamp and floor lamp. These objects give any environment a kind of simple elegance through the sophisticated design and materials.

Materials: metal, fabric

Mounting: Pendant: cable length 150 cm. Canopy: Ø 13 cm included with bracket. Light source: E27 bulb.

Nt. Wt.: 1,8 kg

Class: Degree of protection IP40, insulation class 1.

Note: Custom canopy on request.
110/120V version available on request.

CE \oplus IP40

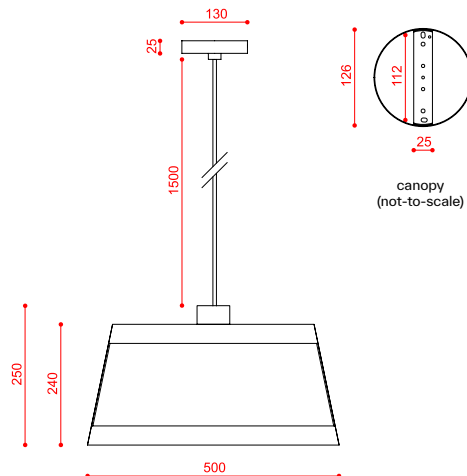


code	voltage	nominal flux	dimmiability	finishes	cable (cm)	dimensions (cm)	recommended LED bulb	€
558.25	220/240V	/	according to bulb	C74 + Beige fabric	150	H 25 - Ø 50	1 x E27 max 15W	333,00

Hardware Fabric



C74 Sand black + Beige fabric and black net



measurements in mm

LILLY

558.31 Side Table

Picture on page 96 of the catalogue

Design: Corrado Dotti

Description: Collection of lamps characterized by an oriental taste, reinterpreting the lightness, sobriety and minimalism of Asian design. These lamps have a metal structure painted with epoxy powder and a coated with mesh diffusor. Versatile and elegant, this collection presents different versions: hanging lamps in three different sizes, a wall lamp, table lamp and floor lamp. These objects give any environment a kind of simple elegance through the sophisticated design and materials.

Materials: metal, fabric

Mounting: Table: cable length 150 cm. Plug: type C (EU). On/off switch: 50 cm from the base on black fabric cable. Light source: E14 bulb.

Nt. Wt.: 2,5 kg

Class: Degree of protection IP20, insulation class 2.

Note: Dimmer version available on request.
110/120V version available on request.

CE  IP20

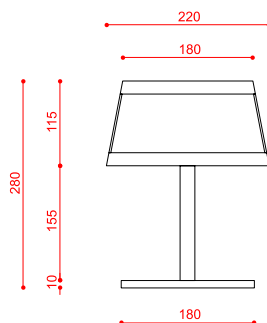


code	voltage	nominal flux	dimmability	finishes	cable (cm)	dimensions (cm)	recommended LED bulb	€
558.31	220/240V	/	/	C74 + Beige fabric	150	H 28 - Ø 22	1 x E14 max 10W	196,00

Hardware Fabric



C74 Sand black + Beige fabric and black net



measurements in mm

LILLY

558.32 Table

Picture on page 95/96 of the catalogue

Design: Corrado Dotti

Description: Collection of lamps characterized by an oriental taste, reinterpreting the lightness, sobriety and minimalism of Asian design. These lamps have a metal structure painted with epoxy powder and a coated with mesh diffusor. Versatile and elegant, this collection presents different versions: hanging lamps in three different sizes, a wall lamp, table lamp and floor lamp. These objects give any environment a kind of simple elegance through the sophisticated design and materials.

Materials: metal, fabric

Mounting: Table: cable length 150 cm. Plug: type C (EU). On/off switch: 50 cm from the base on black fabric cable. Light source: E27 bulb.

Nt. Wt.: 9 kg

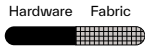
Class: Degree of protection IP20, insulation class 2.

Note: Dimmer version available on request.
110/120V version available on request.

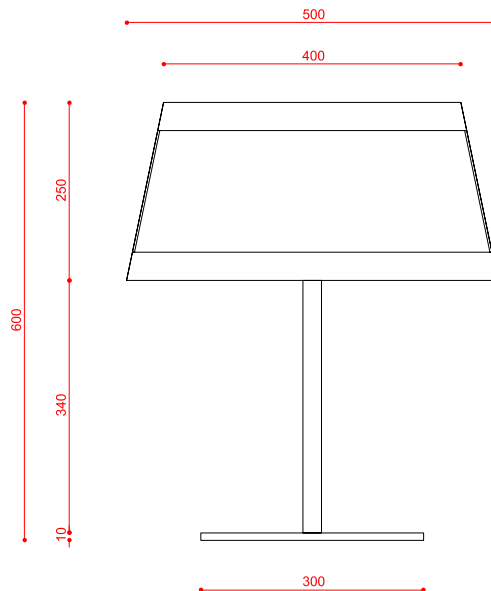
CE  IP20



code	voltage	nominal flux	dimmability	finishes	cable (cm)	dimensions (cm)	recommended LED bulb	€
558.32	220/240V	/	/	C74 + Beige fabric	150	H 60 - Ø 50	1 x E27 max 15W	371,00



C74 Sand black + Beige fabric and black net



measurements in mm

Design: Corrado Dotti

Description: Collection of lamps characterized by an oriental taste, reinterpreting the lightness, sobriety and minimalism of Asian design. These lamps have a metal structure painted with epoxy powder and a coated with mesh diffusor. Versatile and elegant, this collection presents different versions: hanging lamps in three different sizes, a wall lamp, table lamp and floor lamp. These objects give any environment a kind of simple elegance through the sophisticated design and materials.

Materials: metal, fabric

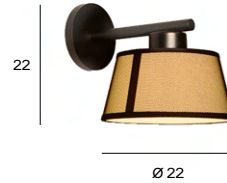
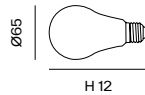
Mounting: Base: Ø 11,5 cm included with bracket. Light source: E27 bulb.

Nt. Wt.: 1 kg

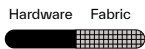
Class: Degree of protection IP40, insulation class 1.

Note: Custom base on request.
110/120V version available on request.
Max dimensions bulb (excluded):

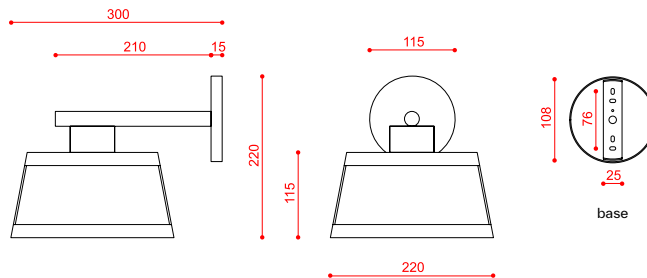
CE \oplus IP40



code	voltage	nominal flux	dimmability	finishes	cable (cm)	dimensions (cm)	recommended LED bulb	€
558.42	220/240V	/	according to bulb	C74 + Beige fabric	/	H 22 - Ø 22	1 x E27 max 15W	234,00



C74 Sand black + Beige fabric and black net



measurements in mm

LILLY

558.65 Floor

Picture on page 96 of the catalogue

Design: Corrado Dotti

Description: Collection of lamps characterized by an oriental taste, reinterpreting the lightness, sobriety and minimalism of Asian design. These lamps have a metal structure painted with epoxy powder and a coated with mesh diffusor. Versatile and elegant, this collection presents different versions: hanging lamps in three different sizes, a wall lamp, table lamp and floor lamp. These objects give any environment a kind of simple elegance through the sophisticated design and materials.

Materials: metal, fabric

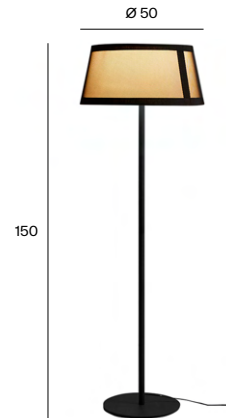
Mounting: Floor: cable length 300 cm. Plug: type C (EU). On/off switch: 80 cm from the base on black fabric cable. Light source: E27 bulb.

Nt. Wt.: 10 kg

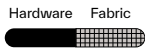
Class: Degree of protection IP20, insulation class 2.

Note: Dimmer version available on request.
110/120V version available on request.

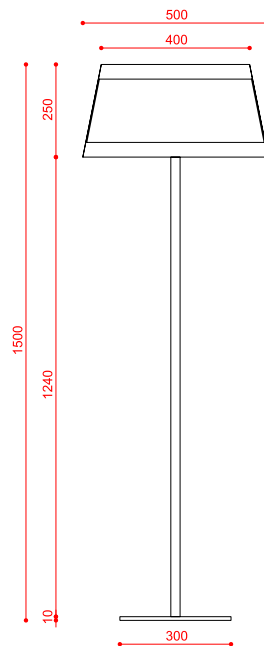
CE  IP20



code	voltage	nominal flux	dimmability	finishes	cable (cm)	dimensions (cm)	recommended LED bulb	€
558.65	220/240V	/	/	C74 + Beige fabric	300	H 150 - Ø 50	1 x E27 max 15W	485,00



C74 Sand black + Beige fabric and black net



measurements in mm

LINFA

565.12 Chandelier

Design: Federico Peri

Description: Inspired and characterized by the natural world, the Linfa family of lamps designed by Federico Peri unfolds on arms so sinuous and elegant as to evoke the veins that run through the leaves, with bright points of light that shine like dew drops. In this family, made up of pendant, floor, table lamps and wall sconces, the refined branches are available in gold, titanium or matt nickel finishes, while the light sources, made of Murano glass, are available in smoky and transparent finishes or milky white.

Materials: metal, aluminum, glass

Mounting: Chandelier: 60/90 cm stems included (adjusted on site). Canopy: Ø 23,5x11,4 cm included with bracket. Light source: Integrated LED. Different glass combinations are available on request.

Nt. Wt.: 10 kg

Class: Degree of protection IP40, insulation class 1.

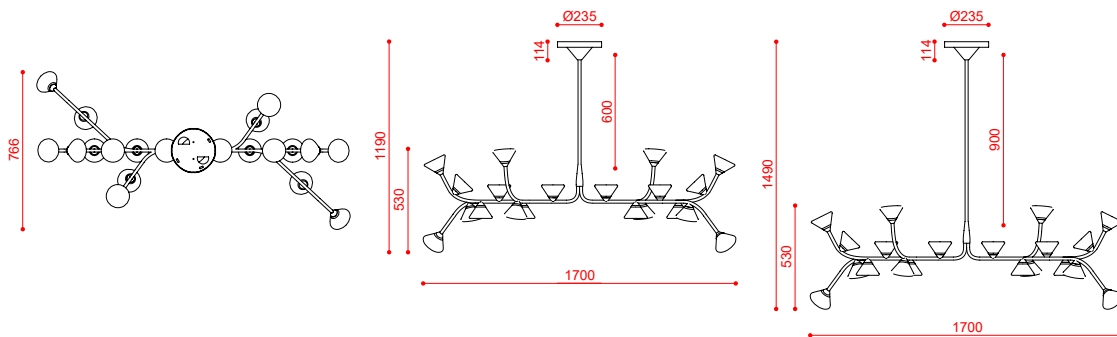
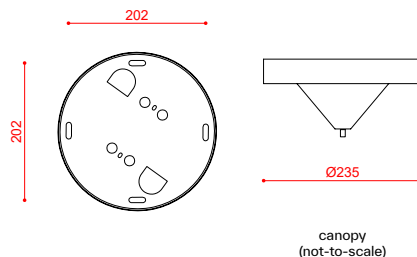
Note: Driver on board.
110/120V version available on request.
DALI version on request.

CE \oplus IP40



code	voltage	nominal flux	dimmiability	finishes	stem included (cm) adj. on site	dimensions (cm)	LED	€
565.12	220/240V	7000 lm	phase cut	C24 / C70 / C72	60/90	H 53 x L 170	20 x 2.7W 2700K	4.275,00

Hardware	Glass			
	6	8	6	C24 Hot gold + (Smoke + White + Clear) glass
	6	8	6	C70 Titanium + (Smoke + White + Clear) glass
	6	8	6	C72 Opaque nickel + (Smoke + White + Clear) glass



measurements in mm

LINFA

565.18 Chandelier

Design: Federico Peri

Description: Inspired and characterized by the natural world, the Linfa family of lamps designed by Federico Peri unfolds on arms so sinuous and elegant as to evoke the veins that run through the leaves, with bright points of light that shine like dew drops. In this family, made up of pendant, floor, table lamps and wall sconces, the refined branches are available in gold, titanium or matt nickel finishes, while the light sources, made of Murano glass, are available in smoky and transparent finishes or milky white.

Materials: metal, aluminum, glass

Mounting: Chandelier: 30/60 cm stems included (adjusted on site). Canopy: Ø 23,5x11,4 cm included with bracket. Light source: Integrated LED. Different glass combinations are available on request.

Nt. Wt.: 10 kg

Class: Degree of protection IP40, insulation class 1.

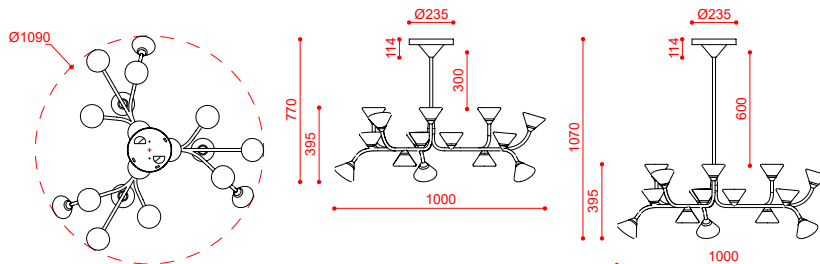
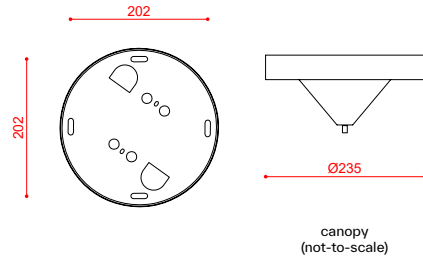
Note: Driver on board.
110/120V version available on request.
DALI version on request.



CE \oplus IP40

code	voltage	nominal flux	dimmiability	finishes	stem included (cm) adj. on site	dimensions (cm)	LED	€
565.18	220/240V	6300 lm	phase cut	C24 / C70 / C72	30/60	H 53 x Ø 109	18 x 2.7W 2700K	2.975,00

Hardware	Glass			
	6	6	6	C24 Hot gold + (Smoke + White + Clear) glass
	6	6	6	C70 Titanium + (Smoke + White + Clear) glass
	6	6	6	C72 Opaque nickel + (Smoke + White + Clear) glass



measurements in mm

LINFA

565.13 Chandelier

Picture on page 102/105/108/111 of the catalogue

Design: Federico Peri

Description: Inspired and characterized by the natural world, the Linfa family of lamps designed by Federico Peri unfolds on arms so sinuous and elegant as to evoke the veins that run through the leaves, with bright points of light that shine like dew drops. In this family, made up of pendant, floor, table lamps and wall sconces, the refined branches are available in gold, titanium or matt nickel finishes, while the light sources, made of Murano glass, are available in smoky and transparent finishes or milky white.

Materials: metal, aluminum, glass

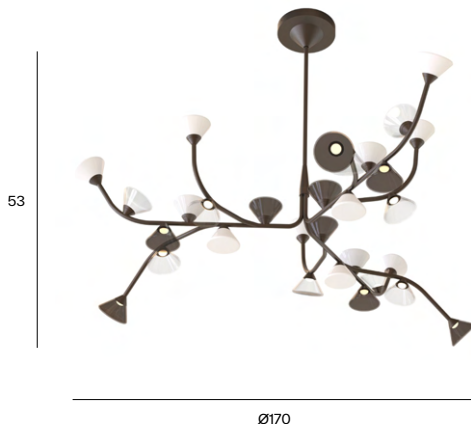
Mounting: Chandelier: 60/90 cm stems included (adjusted on site). Canopy: Ø 23,5x11,4 cm included with bracket. Light source: Integrated LED. Different glass combinations are available on request.

Nt. Wt.: 15 kg

Class: Degree of protection IP40, insulation class 1.

Note: Driver on board.
110/120V version available on request.
DALI version on request.




CE \oplus IP40



code	voltage	nominal flux	dimmiability	finishes	stem included (cm) adj. on site	dimensions (cm)	recommended LED bulb	€
565.13	220/240V	10500 lm	phase cut	C24 / C70 / C72	60/90	H 53 x Ø170	30 x 2.7W 2700K	5.955,00

Hardware

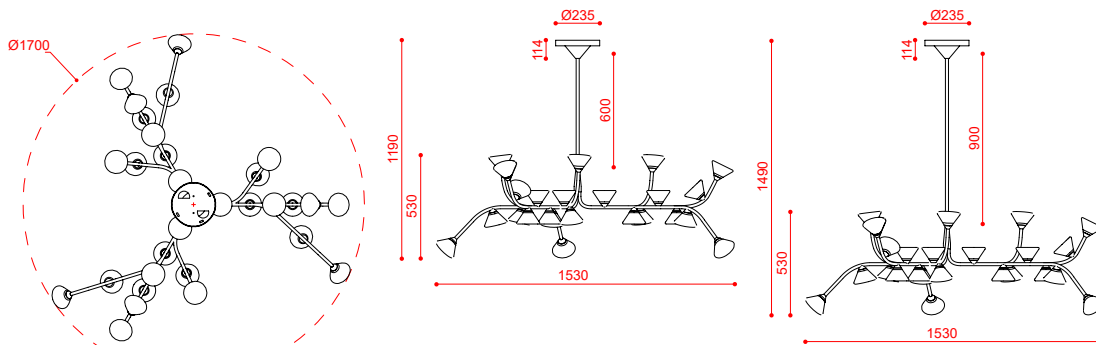
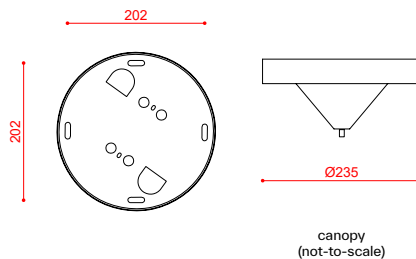
Glass

	9	12	9
	9	12	9
	9	12	9

C24 Hot gold + (Smoke + White + Clear) glass

C70 Titanium + (Smoke + White + Clear) glass

C72 Opaque nickel + (Smoke + White + Clear) glass



measurements in mm

LINFA

565.15 Chandelier

Design: Federico Peri

Description: Inspired and characterized by the natural world, the Linfa family of lamps designed by Federico Peri unfolds on arms so sinuous and elegant as to evoke the veins that run through the leaves, with bright points of light that shine like dew drops. In this family, made up of pendant, floor, table lamps and wall sconces, the refined branches are available in gold, titanium or matt nickel finishes, while the light sources, made of Murano glass, are available in smoky and transparent finishes or milky white.

Materials: metal, aluminum, glass

Mounting: Chandelier: 60/90 cm stems included (adjusted on site). Canopy: Ø 23,5x11,4 cm included with bracket. Light source: Integrated LED. Different glass combinations are available on request.

Nt. Wt.: 25 kg

Class: Degree of protection IP40, insulation class 1.

Note: Driver on board.
110/120V version available on request.
DALI version on request.

CE Ⓜ IP40



code	voltage	nominal flux	dimmiability	finishes	stem included (cm) adj. on site	dimensions (cm)	recommended LED bulb	€
565.15	220/240V	17500 lm	phase cut	C24 / C70 / C72	60/90	H 53 x Ø170	50 x 2.7W 2700K	10.230,00

Hardware

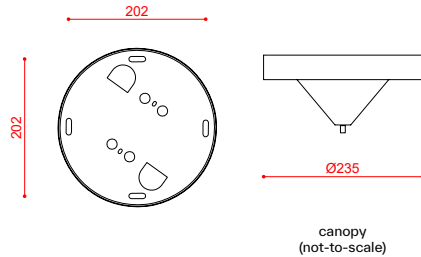
Glass

Hardware	Glass		
	15	20	15
	15	20	15
	15	20	15

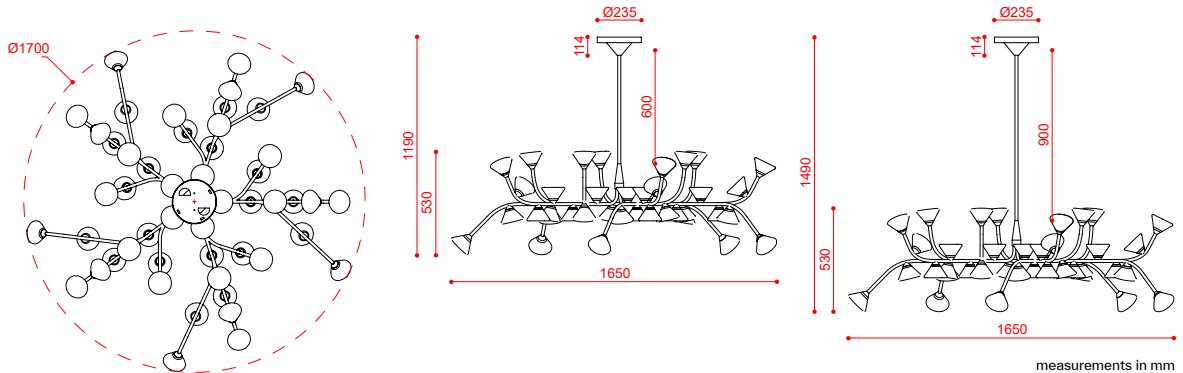
C24 Hot gold + (Smoke + White + Clear) glass

C70 Titanium + (Smoke + White + Clear) glass

C72 Opaque nickel + (Smoke + White + Clear) glass



canopy (not-to-scale)



measurements in mm

LINFA

565.21 Pendant

Design: Federico Peri

Description: Inspired and characterized by the natural world, the Linfa family of lamps designed by Federico Peri unfolds on arms so sinuous and elegant as to evoke the veins that run through the leaves, with bright points of light that shine like dew drops. In this family, made up of pendant, floor, table lamps and wall sconces, the refined branches are available in gold, titanium or matt nickel finishes, while the light sources, made of Murano glass, are available in smoky and transparent finishes or milky white.

Materials: metal, aluminum, glass

Mounting: Canopy: Ø 8x4 cm included with bracket. Light source: integrated LED.

Nt. Wt.: 0.95 kg

Class: Degree of protection IP40, insulation class 1.

Note: Driver on board.
110/120V version available on request.
DALI version on request.

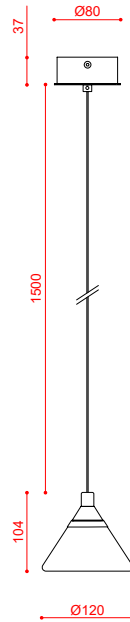
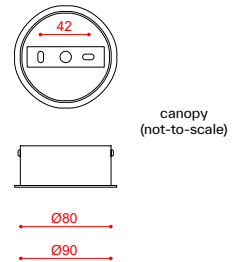
CE IP40



code	voltage	nominal flux	dimmiability	finishes	cable (cm)	dimensions (cm)	LED	€
565.21	220/240V	350 lm	phase cut	C24 / C70 / C72	150	H 15 x Ø12	2.7W 2700K	230,00

Hardware Glass

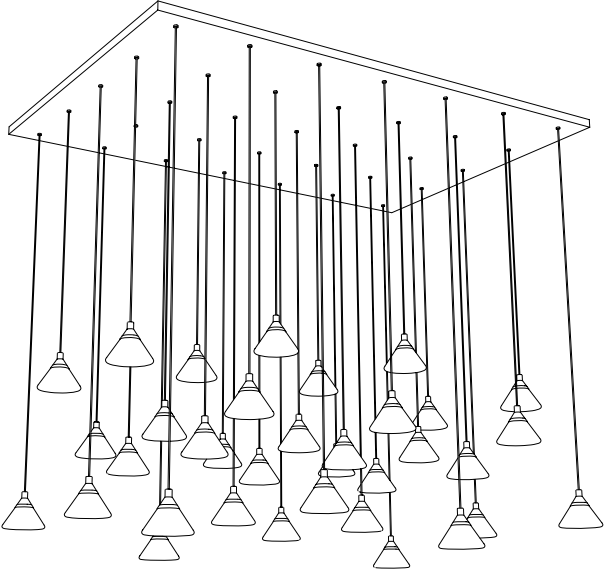
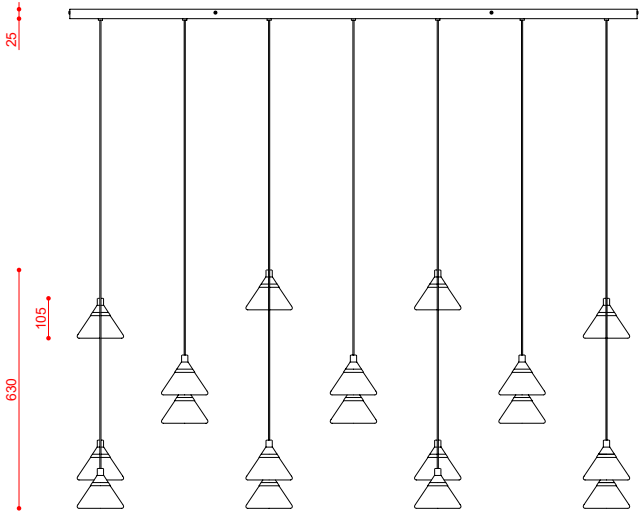
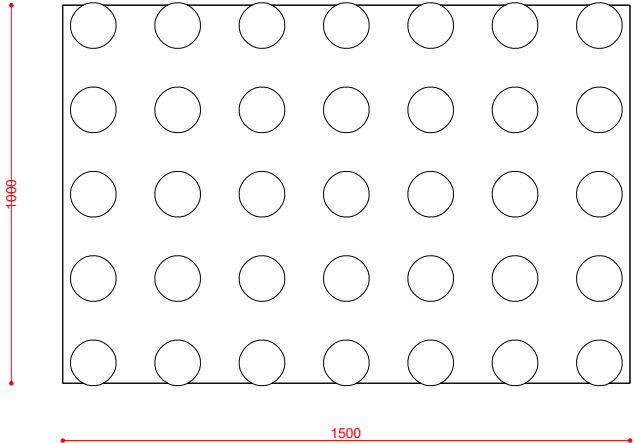
	1	C24 Hot gold + Clear glass
	1	C24 Hot gold + White glass
	1	C24 Hot gold + Smoke glass
	1	C70 Titanium + Clear glass
	1	C70 Titanium + White glass
	1	C70 Titanium + Smoke glass
	1	C72 Opaque nickel + Clear glass
	1	C72 Opaque nickel + White glass
	1	C72 Opaque nickel + Smoke glass



measurements in mm

Suggested application

LINFA Cluster



LINFA

565.22s Pendant

Picture on page 116 of the catalogue

Design: Federico Peri

Description: Inspired and characterized by the natural world, the Linfa family of lamps designed by Federico Peri unfolds on arms so sinuous and elegant as to evoke the veins that run through the leaves, with bright points of light that shine like dew drops. In this family, made up of pendant, floor, table lamps and wall sconces, the refined branches are available in gold, titanium or matt nickel finishes, while the light sources, made of Murano glass, are available in smoky and transparent finishes or milky white.

Materials: metal, aluminum, glass

Mounting: Steel cable length 125 cm. Electric cable length 150cm. Canopy: Ø 20,5x9,2 cm included with bracket. Light source: Integrated LED. Different glass combinations are available on request.

Nt. Wt.: 3 kg

Class: Degree of protection IP40, insulation class 1.

Note: Driver on board.
110/120V version available on request.
DALI version on request.
Counterweight available on request (on page 206).


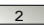
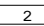
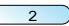

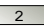
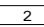
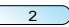

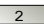
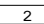
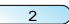


CE IP40

code	voltage	nominal flux	dimmiability	finishes	cable (cm)	dimensions (cm)	LED	€
565.22s	220/240V	2100 lm	phase cut	C24 / C70 / C72	125	H80 x L 43 x W 45	6 x 2.7W 2700K	1.553,00

Hardware

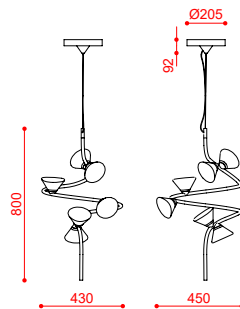
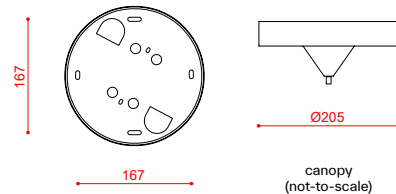
Glass

			
2	2	2	2
			
2	2	2	2
			
2	2	2	2

C24 Hot gold + (Smoke + White + Clear) glass

C70 Titanium + (Smoke + White + Clear) glass

C72 Opaque nickel + (Smoke + White + Clear) glass



measurements in mm

LINFA

565.22m Pendant

Picture on page 99/100 of the catalogue

Design: Federico Peri

Description: Inspired and characterized by the natural world, the Linfa family of lamps designed by Federico Peri unfolds on arms so sinuous and elegant as to evoke the veins that run through the leaves, with bright points of light that shine like dew drops. In this family, made up of pendant, floor, table lamps and wall sconces, the refined branches are available in gold, titanium or matt nickel finishes, while the light sources, made of Murano glass, are available in smoky and transparent finishes or milky white.

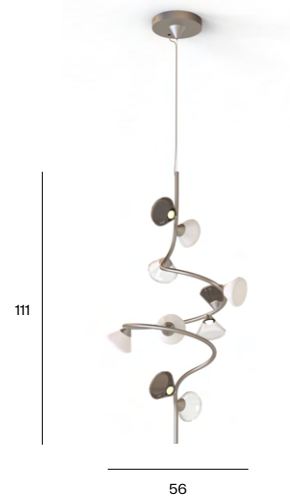
Materials: metal, aluminum, glass

Mounting: Steel cable length 125 cm. Electric cable length 150cm. Canopy: Ø 20,5x9,2 cm included with bracket. Light source: Integrated LED. Different glass combinations are available on request.

Nt. Wt.: 4,5 kg

Class: Degree of protection IP40, insulation class 1.

Note: Driver on board.
110/120V version available on request.
DALI version on request.
Counterweight available on request (on page 206).



CE Ⓢ IP40

code	voltage	nominal flux	dimmability	finishes	cable (cm)	dimensions (cm)	LED	€
565.22m	220/240V	3500 lm	phase cut	C24 / C70 / C72	125	H111 x L 49 x W 56	10 x 2.7W 2700K	2.210,00

Hardware

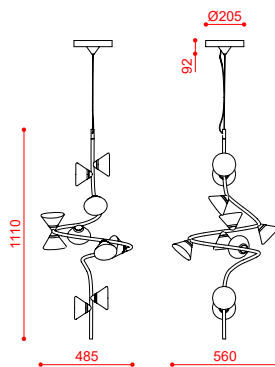
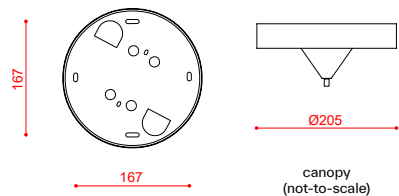
Glass

	3	4	3
	3	4	3
	3	4	3

C24 Hot gold + (Smoke + White + Clear) glass

C70 Titanium + (Smoke + White + Clear) glass

C72 Opaque nickel + (Smoke + White + Clear) glass



measurements in mm

LINFA

565.22b Pendant

Picture on page 99/101/115 of the catalogue

Design: Federico Peri

Description: Inspired and characterized by the natural world, the Linfa family of lamps designed by Federico Peri unfolds on arms so sinuous and elegant as to evoke the veins that run through the leaves, with bright points of light that shine like dew drops. In this family, made up of pendant, floor, table lamps and wall sconces, the refined branches are available in gold, titanium or matt nickel finishes, while the light sources, made of Murano glass, are available in smoky and transparent finishes or milky white.

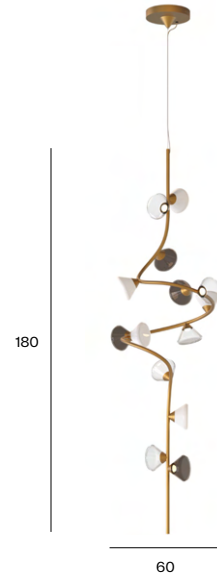
Materials: metal, aluminum, glass

Mounting: Steel cable length 125 cm. Electric cable length 150cm. Canopy: Ø 20, x9,2 cm included with bracket. Light source: Integrated LED. Different glass combinations are available on request.

Nt. Wt.: 6 kg

Class: Degree of protection IP40, insulation class 1.

Note: Driver on board.
110/120V version available on request.
DALI version on request.
Counterweight available on request (on page 206).






CE IP40

code	voltage	nominal flux	dimmiability	finishes	cable (cm)	dimensions (cm)	LED	€
565.22b	220/240V	4900 lm	phase cut	C24 / C70 / C72	125	H180 x L 60 x W 50	14 x 2.7W 2700K	2.974,00

Hardware

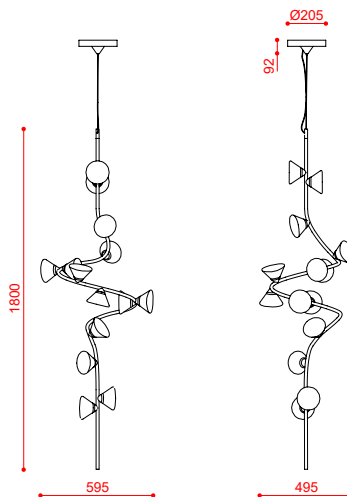
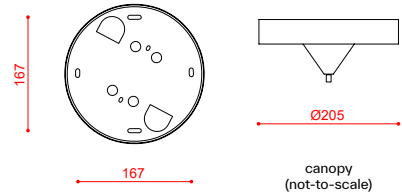
Glass

Hardware	Glass		
	4	5	5
	4	5	5
	4	5	5

C24 Hot gold + (Smoke + White + Clear) glass

C70 Titanium + (Smoke + White + Clear) glass

C72 Opaque nickel + (Smoke + White + Clear) glass



measurements in mm

LINFA

565.23s Pendant

Design: Federico Peri

Description: Inspired and characterized by the natural world, the Linfa family of lamps designed by Federico Peri unfolds on arms so sinuous and elegant as to evoke the veins that run through the leaves, with bright points of light that shine like dew drops. In this family, made up of pendant, floor, table lamps and wall sconces, the refined branches are available in gold, titanium or matt nickel finishes, while the light sources, made of Murano glass, are available in smoky and transparent finishes or milky white.

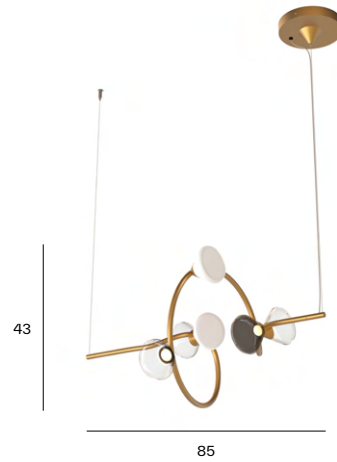
Materials: metal, aluminum, glass

Mounting: Steel cable length 125 cm. Electric cable length 150cm. Canopy: Ø20,5x9,2 cm included with bracket. Light source: Integrated LED. Different glass combinations are available on request.

Nt. Wt.: 3 kg

Class: Degree of protection IP40, insulation class 1.

Note: Driver on board.
110/120V version available on request.
DALI version on request.



CE IP40

code	voltage	nominal flux	dimmiability	finishes	cable (cm)	dimensions (cm)	LED	€
565.23s	220/240V	2100 lm	phase cut	C24 / C70 / C72	125	H43 x L 85 x W 45	6 x 2.7W 2700K	1.520,00

Hardware

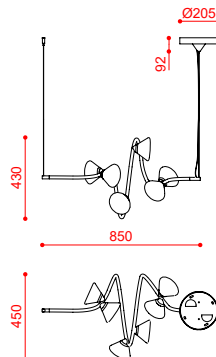
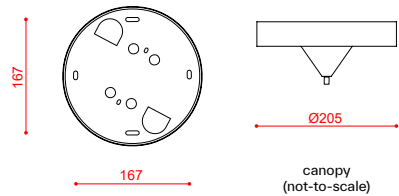
Glass

	2	2	2
	2	2	2
	2	2	2

C24 Hot gold + (Smoke + White + Clear) glass

C70 Titanium + (Smoke + White + Clear) glass

C72 Opaque nickel + (Smoke + White + Clear) glass



measurements in mm

LINFA

565.23m Pendant

Picture on page 112/114 of the catalogue

Design: Federico Peri

Description: Inspired and characterized by the natural world, the Linfa family of lamps designed by Federico Peri unfolds on arms so sinuous and elegant as to evoke the veins that run through the leaves, with bright points of light that shine like dew drops. In this family, made up of pendant, floor, table lamps and wall sconces, the refined branches are available in gold, titanium or matt nickel finishes, while the light sources, made of Murano glass, are available in smoky and transparent finishes or milky white.

Materials: metal, aluminum, glass

Mounting: Steel cable length 125 cm. Electric cable length 150cm. Canopy: Ø20,5x9,2 cm included with bracket. Light source: Integrated LED. Different glass combinations are available on request.

Nt. Wt.: 4,5 kg

Class: Degree of protection IP40, insulation class 1.

Note: Driver on board.
110/120V version available on request.
DALI version on request.




CE  IP40



code	voltage	nominal flux	dimmiability	finishes	cable (cm)	dimensions (cm)	LED	€
565.23m	220/240V	3500 lm	phase cut	C24 / C70 / C72	125	H 48 x L 120 x W 57	10 x 2.7W 2700K	2.252,00

Hardware

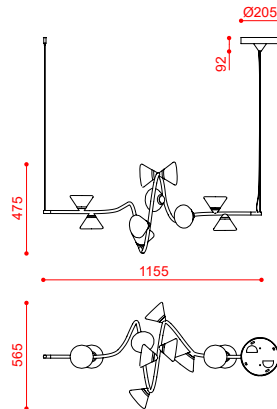
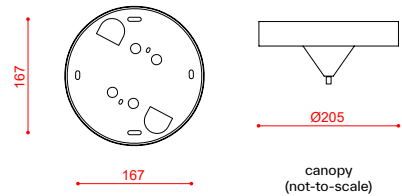
Glass

	3	4	3
	3	4	3
	3	4	3

C24 Hot gold + (Smoke + White + Clear) glass

C70 Titanium + (Smoke + White + Clear) glass

C72 Opaque nickel + (Smoke + White + Clear) glass



measurements in mm

LINFA

565.23b Pendant

Picture on page 112/114 of the catalogue

Design: Federico Peri

Description: Inspired and characterized by the natural world, the Linfa family of lamps designed by Federico Peri unfolds on arms so sinuous and elegant as to evoke the veins that run through the leaves, with bright points of light that shine like dew drops. In this family, made up of pendant, floor, table lamps and wall sconces, the refined branches are available in gold, titanium or matt nickel finishes, while the light sources, made of Murano glass, are available in smoky and transparent finishes or milky white.

Materials: metal, aluminum, glass

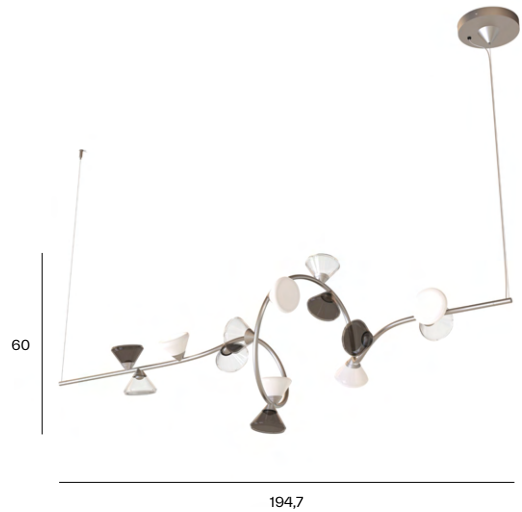
Mounting: Steel cable length 125 cm. Electric cable length 150cm. Canopy: Ø20,5x9,2 cm included with bracket. Light source: Integrated LED. Different glass combinations are available on request.

Nt. Wt.: 6 kg

Class: Degree of protection IP40, insulation class 1.

Note: Driver on board.
110/120V version available on request.
DALI version on request.

CE \oplus IP40



code	voltage	nominal flux	dimmability	finishes	cable (cm)	dimensions (cm)	LED	€
565.23b	220/240V	4900 lm	phase cut	C24 / C70 / C72	125	H 60 x L 194,7 x W 50	14 x 2.7W 2700K	3.120,00

Hardware

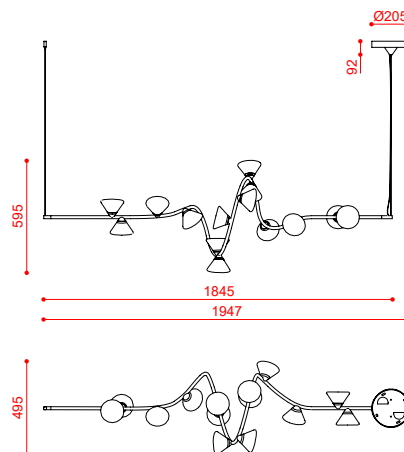
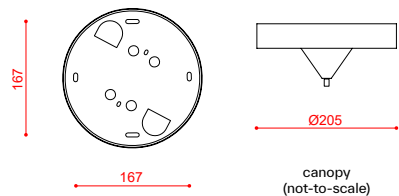
Glass

Hardware	Glass		
	4	5	5
	4	5	5
	4	5	5

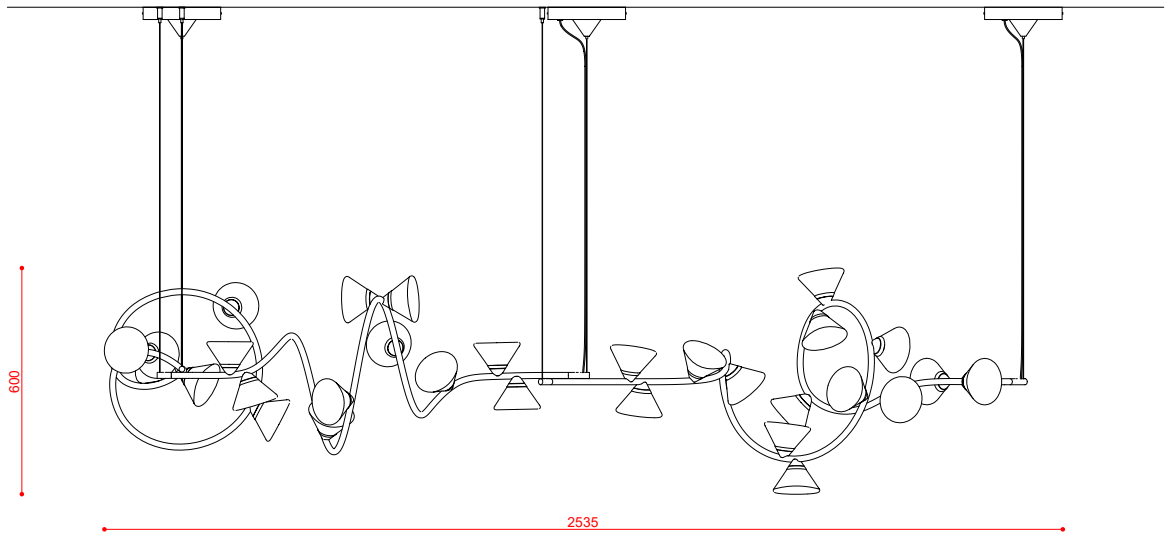
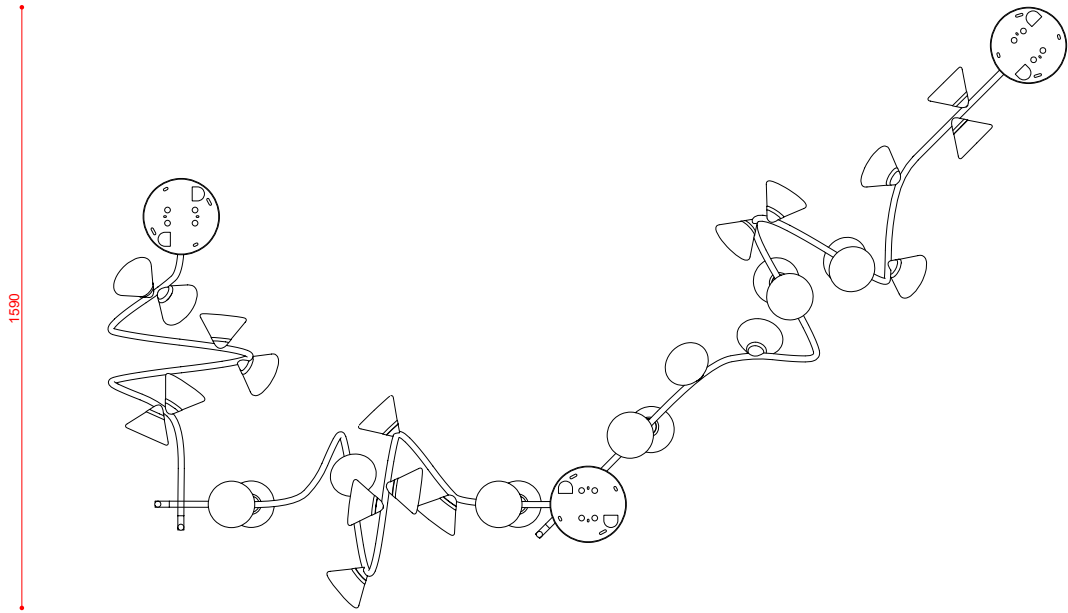
C24 Hot gold + (Smoke + White + Clear) glass

C70 Titanium + (Smoke + White + Clear) glass

C72 Opaque nickel + (Smoke + White + Clear) glass



measurements in mm



LINFA

565.32 Table

Design: Federico Peri

Description: Inspired and characterized by the natural world, the Linfa family of lamps designed by Federico Peri unfolds on arms so sinuous and elegant as to evoke the veins that run through the leaves, with bright points of light that shine like dew drops. In this family, made up of pendant, floor, table lamps and wall sconces, the refined branches are available in gold, titanium or matt nickel finishes, while the light sources, made of Murano glass, are available in smoky and transparent finishes or milky white.

Materials: metal, aluminum, glass

Mounting: Table: cable length 150 cm. Plug: type C (EU). Switch on: touch dimmer on the structure. Light source: Integrated LED. Different glass combinations are available on request.

Nt. Wt.: 2 kg

Class: Degree of protection IP40, insulation class 2.

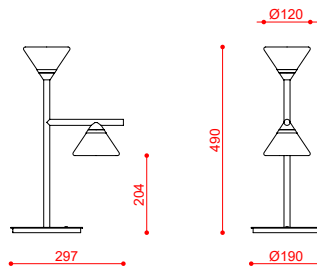
Note: Touch dimmer on board.
110/120V version available on request.

CE IP40



code	voltage	nominal flux	dimmiability	finishes	cable (cm)	dimensions (cm)	LED	€
565.32	220/240V	700 lm	phase cut	C24 / C70 / C72	150	H 49 - L 30	2 x 2.7W 2700K	492,00

Hardware	Glass		
			C24 Hot gold + (White + Clear) glass
			C70 Titanium + (Smoke + Clear) glass
			C72 Opaque nickel + (Smoke + White) glass



measurements in mm

LINFA

565.41 Wall/Ceiling

Design: Federico Peri

Description: Inspired and characterized by the natural world, the Linfa family of lamps designed by Federico Peri unfolds on arms so sinuous and elegant as to evoke the veins that run through the leaves, with bright points of light that shine like dew drops. In this family, made up of pendant, floor, table lamps and wall sconces, the refined branches are available in gold, titanium or matt nickel finishes, while the light sources, made of Murano glass, are available in smoky and transparent finishes or milky white.

Materials: metal, aluminum, glass

Mounting: Base: Ø8 cm included with bracket. Light source: Integrated LED.

Nt. Wt.: 0.95 kg

Class: Degree of protection IP40, insulation class 1.




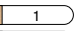

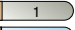

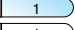

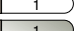

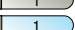

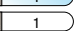
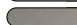
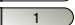


Note: Driver on board.
Recessed base available on request.
110/120V version available on request.

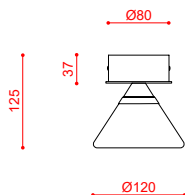
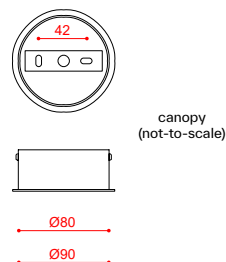
CE  IP40



code	voltage	nominal flux	dimmiability	finishes	cable (cm)	dimensions (cm)	LED	€
565.41	220/240V	350 lm	phase cut	C24 / C70 / C72	/	H 13 x Ø12	2.7W 2700K	178,00

Hardware Glass

		C24 Hot gold + Clear glass
		C24 Hot gold + White glass
		C24 Hot gold + Smoke glass
		C70 Titanium + Clear glass
		C70 Titanium + White glass
		C70 Titanium + Smoke glass
		C72 Opaque nickel + Clear glass
		C72 Opaque nickel + White glass
		C72 Opaque nickel + Smoke glass



measurements in mm

LINFA

565.43 Wall/Ceiling

Picture on page 109 of the catalogue

Design: Federico Peri

Description: Inspired and characterized by the natural world, the Linfa family of lamps designed by Federico Peri unfolds on arms so sinuous and elegant as to evoke the veins that run through the leaves, with bright points of light that shine like dew drops. In this family, made up of pendant, floor, table lamps and wall sconces, the refined branches are available in gold, titanium or matt nickel finishes, while the light sources, made of Murano glass, are available in smoky and transparent finishes or milky white.

Materials: metal, aluminum, glass

Mounting: Base: Ø 13 cm included with bracket. Light source: Integrated LED. Different glass combinations are available on request.

Nt. Wt.: 1.6 kg




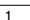

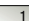

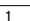

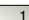

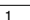
Class: Degree of protection IP40, insulation class 1.

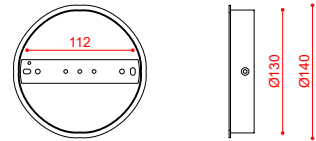
Note: Driver on board.
110/120V version available on request.
DALI version on request.

CE  IP40

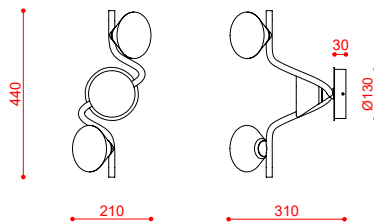


code	voltage	nominal flux	dimmability	finishes	cable (cm)	dimensions (cm)	LED	€
565.43	220/240V	1050 lm	phase cut	C24 / C70 / C72	/	H44 x L 21 x W 31	3 x 2.7W 2700K	695,00

Hardware	Glass			
				C24 Hot gold + (Smoke + White + Clear) glass
				C70 Titanium + (Smoke + White + Clear) glass
				C72 Opaque nickel + (Smoke + White + Clear) glass



base
(not-to-scale)



measurements in mm

LINFA

565.45 Wall/Ceiling

Picture on page 106/107 of the catalogue

Design: Federico Peri

Description: Inspired and characterized by the natural world, the Linfa family of lamps designed by Federico Peri unfolds on arms so sinuous and elegant as to evoke the veins that run through the leaves, with bright points of light that shine like dew drops. In this family, made up of pendant, floor, table lamps and wall sconces, the refined branches are available in gold, titanium or matt nickel finishes, while the light sources, made of Murano glass, are available in smoky and transparent finishes or milky white.

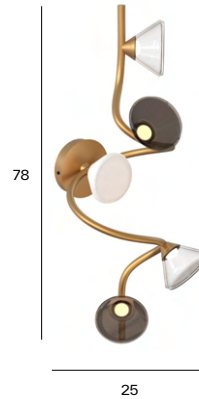
Materials: metal, aluminum, glass

Mounting: Base: Ø 13 cm included with bracket. Light source: Integrated LED.

Nt. Wt.: 2.5 kg




Class: Degree of protection IP40, insulation class 1.

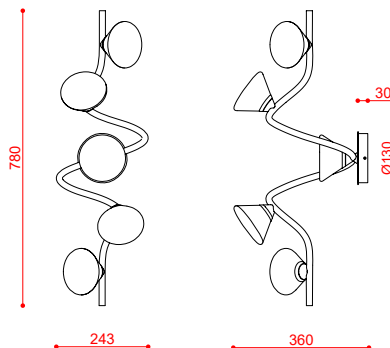
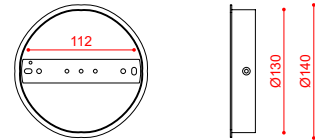
Note: Driver on board.
110/120V version available on request.
DALI version on request.



CE IP40

code	voltage	nominal flux	dimmiability	finishes	cable (cm)	dimensions (cm)	LED	€
565.45	220/240V	1750 lm	phase cut	C24 / C70 / C72	/	H78 x L 25 x W 36	5 x 2.7W 2700K	995,00

Hardware	Glass			
	2	1	2	C24 Hot gold + (Smoke + White + Clear) glass
	2	1	2	C70 Titanium + (Smoke + White + Clear) glass
	2	1	2	C72 Opaque nickel + (Smoke + White + Clear) glass



measurements in mm

LINFA

565.65 Floor

Design: Federico Peri

Description: Inspired and characterized by the natural world, the Linfa family of lamps designed by Federico Peri unfolds on arms so sinuous and elegant as to evoke the veins that run through the leaves, with bright points of light that shine like dew drops. In this family, made up of pendant, floor, table lamps and wall sconces, the refined branches are available in gold, titanium or matt nickel finishes, while the light sources, made of Murano glass, are available in smoky and transparent finishes or milky white.

Materials: metal, aluminum, glass

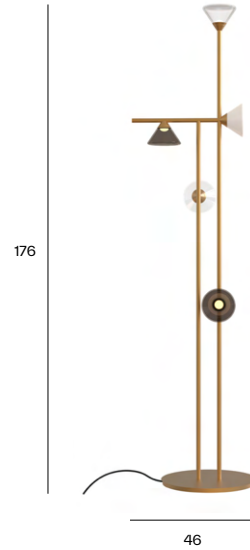
Mounting: Floor: cable length 300 cm. Plug: type C (EU). Dimmer: 80 cm from the base on black cable. Light source: Integrated LED. Different glass combinations are available on request.

Nt. Wt.: 9 kg


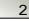

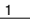

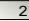

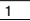

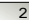

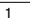
Class: Degree of protection IP40, insulation class 2.

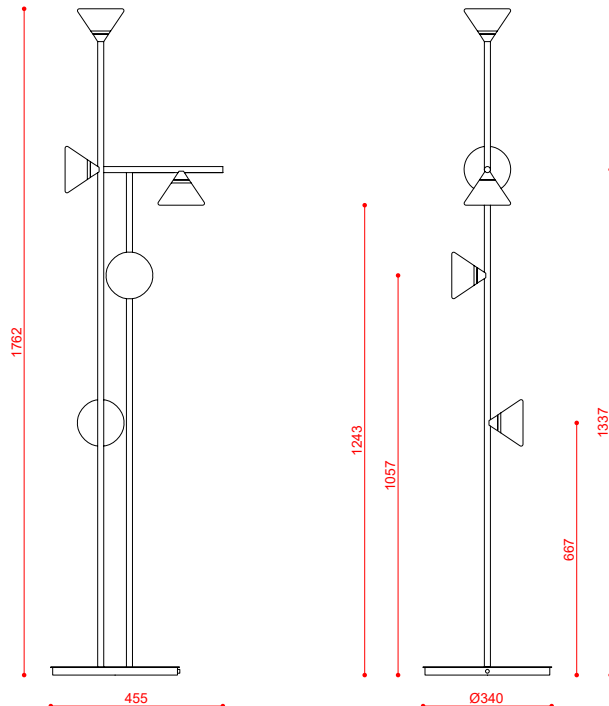
Note: 110/120V version available on request.

CE IP40



code	voltage	nominal flux	dimmability	finishes	cable (cm)	dimensions (cm)	LED	€
565.65	220/240V	1750 lm	phase cut	C24 / C70 / C72	300	H 176 - L 46	5 x 2.7W 2700K	1.390,00

Hardware	Glass			
	 2	 1	 2	C24 Hot gold + (Smoke + White + Clear) glass
	 2	 1	 2	C70 Titanium + (Smoke + White + Clear) glass
	 2	 1	 2	C72 Opaque nickel + (Smoke + White + Clear) glass



measurements in mm

MACAO

551.32 Table

Picture on page 34/122 of the catalogue

Design: Corrado Dotti

Description: Collection of lamps revisiting traditional Japanese lanterns, characterized by a minimal and elegant style. The structure is made by metal painted with epoxy powders, with white or black mesh lampshades. Lightness, minimalism and essentiality are the main traits of this collection.

Materials: metal, fabric

Mounting: Table: cable length 150 cm. Plug: type C (EU). On/off switch: 50 cm from the base on black fabric cable. Light source: E27 Bulb.

Nt. Wt.: 3,3 kg

Class: Degree of protection IP20, insulation class 2.

Note: 110/120V version available on request.
Dimmer version available on request.

CE  IP20



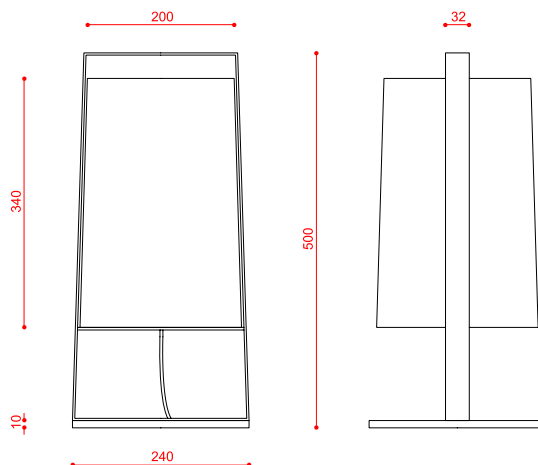
code	voltage	nominal flux	dimmability	finishes	cable (cm)	dimensions (cm)	recommended LED bulb	€
551.32	220/240V	/	/	C74 + White fabric	150	H 50 - Ø 24	1 x E27 max 15W	271,00
551.32	220/240V	/	/	C74 + Beige fabric/black net	150	H 50 - Ø 24	1 x E27 max 15W	271,00

Hardware Fabric



C74 Sand black + White fabric

C74 Sand black + Beige fabric and black net



measurements in mm

MACAO

551.44 Wall

Picture on page 119 of the catalogue

Design: Corrado Dotti

Description: Collection of lamps revisiting traditional Japanese lanterns, characterized by a minimal and elegant style. The structure is made by metal painted with epoxy powders, with white or black mesh lampshades. Lightness, minimalism and essentiality are the main traits of this collection.

Materials: metal, fabric, aluminum

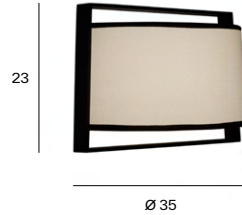
Mounting: Lampshade application with magnet. Light source: E27 Bulb.

Nt. Wt.: 2,5 kg

Class: Degree of protection IP40, insulation class 1.

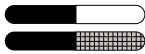
Note: 110/120V version available on request.

CE \oplus IP40



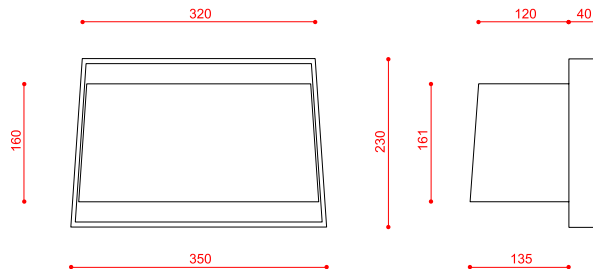
code	voltage	nominal flux	dimmability	finishes	cable (cm)	dimensions (cm)	recommended LED bulb	€
551.44	220/240V	/	according to bulb	C74 + White fabric	/	H 23 - Ø 35	1 x E27 max 15W	244,00
551.44	220/240V	/	according to bulb	C74 + Beige fabric/black net	/	H 23 - Ø 35	1 x E27 max 15W	244,00

Hardware Fabric



C74 Sand black + White fabric

C74 Sand black + Beige fabric and black net



measurements in mm

MACAO

551.64 Floor

Picture on page 120/121 of the catalogue

Design: Corrado Dotti

Description: Collection of lamps revisiting traditional Japanese lanterns, characterized by a minimal and elegant style. The structure is made by metal painted with epoxy powders, with white or black mesh lampshades. Lightness, minimalism and essentiality are the main traits of this collection.

Materials: metal, fabric

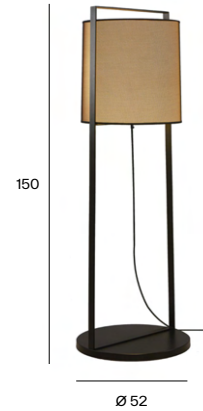
Mounting: Floor: cable length 300 cm. Plug: type C (EU). On/off switch: 80 cm from the base on black fabric cable. Light source: E27 Bulb.

Nt. Wt.: 18 kg

Class: Degree of protection IP20, insulation class 2.

Note: 110/120V version available on request.
Dimmer version available on request.

CE  IP20



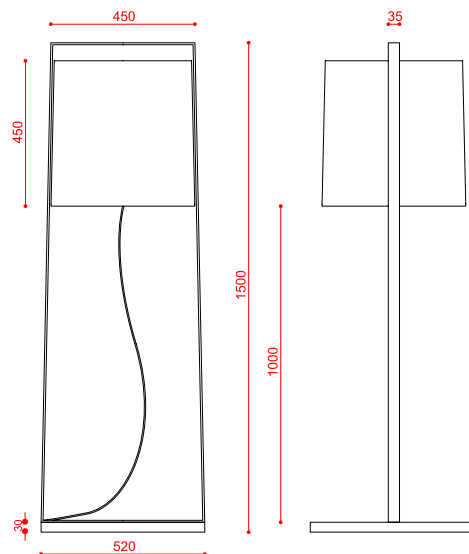
code	voltage	nominal flux	dimmability	finishes	cable (cm)	dimensions (cm)	recommended LED bulb	€
551.64	220/240V	/	/	C74 + White fabric	300	H 150 - Ø 52	1 x E27 max 20W	668,00
551.64	220/240V	/	/	C74 + Beige fabric/black net	300	H 150 - Ø 52	1 x E27 max 20W	668,00

Hardware Fabric



C74 Sand black + White fabric

C74 Sand black + Beige fabric and black net



measurements in mm

MACAO

551.65 Floor

Design: Corrado Dotti

Description: Collection of lamps revisiting traditional Japanese lanterns, characterized by a minimal and elegant style. The structure is made by metal painted with epoxy powders, with white or black mesh lampshades. Lightness, minimalism and essentiality are the main traits of this collection.

Materials: metal, fabric

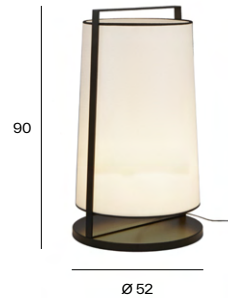
Mounting: Floor: cable length 300 cm. Plug: type C (EU). On/off switch: 80 cm from the base on black fabric cable. Light source: E27 Bulb.

Nt. Wt.: 13 kg

Class: Degree of protection IP20, insulation class 2.

Note: 110/120V version available on request.
Dimmer version available on request.

CE  IP20



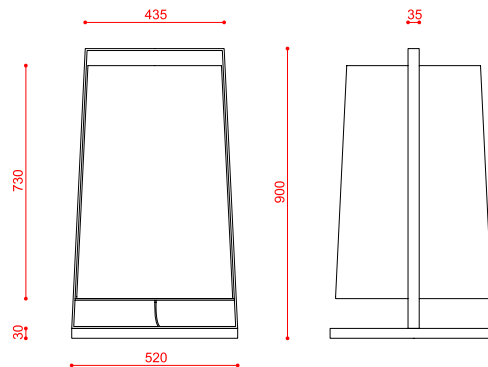
code	voltage	nominal flux	dimmability	finishes	cable (cm)	dimensions (cm)	recommended LED bulb	€
551.65	220/240V	/	/	C74 + White fabric	300	H 90 - Ø 52	1 x E27 max 20W	720,00
551.65	220/240V	/	/	C74 + Beige fabric/black net	300	H 90 - Ø 52	1 x E27 max 20W	720,00

Hardware Fabric



C74 Sand black + White fabric

C74 Sand black + Beige fabric and black net



measurements in mm

MOLLY

556.14 Chandelier

Design: Corrado Dotti

Description: Collection of contemporary hanging lamps, with a painted dome and ring either painted or finished with brushed brass, copper or pewter. The bright diamond screen is made of plexiglass to better spread light out. The collection presents lamps available in three sizes for single-unit or dynamic compositions. These lamps are very versatile and fit any kind of setting, thanks to their simple shape yet rich materials.

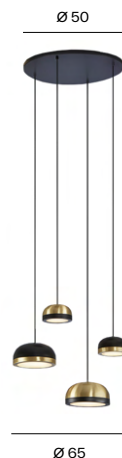
Materials: metal, aluminum, PMMA

Mounting: Pendant: cable length 150 cm. Canopy: Ø 50 cm included with bracket. Light source: Integrated LED.

Nt. Wt.: 4,9 kg

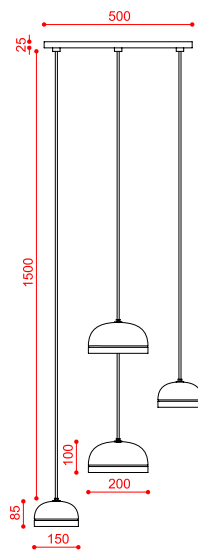
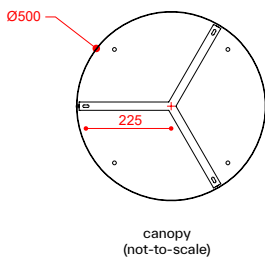
Class: Degree of protection IP40, insulation class 1.

Note: Custom canopy on request.
Additional suspensions available on request.
110/120V version available on request.
Price for different color combinations on request.
Structure and canopy finish C74.



CE \oplus IP40

code	voltage	nominal flux	dimmability	dome finishes	cable (cm)	dimensions (cm)	LED	€
556.14	220/240V	4600 lm	phase cut	C46 / C74	150	Ø 65	4 x10W 2700K	866,00
556.14	220/240V	4600 lm	phase cut	C41 / C50 / C99	150	Ø 65	4 x10W 2700K	1.293,00



measurements in mm

MOLLY

556.21 Pendant

Picture on page 129/130 of the catalogue

Design: Corrado Dotti

Description: Collection of contemporary hanging lamps, with a painted dome and ring either painted or finished with brushed brass, copper or pewter. The bright diamond screen is made of plexiglass to better spread light out. The collection presents lamps available in three sizes for single-unit or dynamic compositions. These lamps are very versatile and fit any kind of setting, thanks to their simple shape yet rich materials.

Materials: metal, aluminum, PMMA

Mounting: Pendant: cable length 150 cm. Canopy: Ø 13 cm included with bracket. Light source: Integrated LED.

Nt. Wt.: 0,5 kg

Class: Degree of protection IP40, insulation class 1.

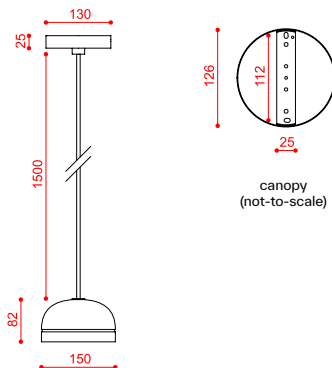
Note: 110/120V version available on request.
Structure and canopy finish C74.

CE IP40



code	voltage	nominal flux	dimmability	dome finishes	cable (cm)	dimensions (cm)	LED	€
556.21	220/240V	4600 lm	phase cut	C46 / C74	150	Ø 15	10W 2700K	216,00
556.21	220/240V	4600 lm	phase cut	C41 / C50 / C99	150	Ø 15	10W 2700K	285,00

Dome	Ring	
		C41 Brushed brass
		C46 Sand grey
		C50 Pewter
		C74 Sand black
		C99 Copper



measurements in mm

MOLLY

556.22 Pendant

Picture on page 129/130 of the catalogue

Design: Corrado Dotti

Description: Collection of contemporary hanging lamps, with a painted dome and ring either painted or finished with brushed brass, copper or pewter. The bright diamond screen is made of plexiglass to better spread light out. The collection presents lamps available in three sizes for single-unit or dynamic compositions. These lamps are very versatile and fit any kind of setting, thanks to their simple shape yet rich materials.

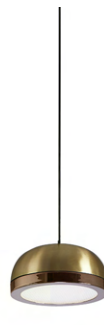
Materials: metal, aluminum, PMMA

Mounting: Pendant: cable length 150 cm. Canopy: Ø 13 cm included with bracket. Light source: Integrated LED.

Nt. Wt.: 1,1 kg

Class: Degree of protection IP40, insulation class 1.

Note: 110/120V version available on request.
Structure and canopy finish C74.

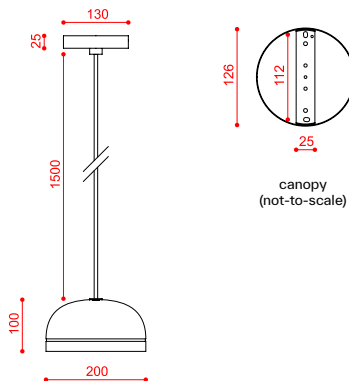


Ø 20

CE IP40

code	voltage	nominal flux	dimmability	dome finishes	cable (cm)	dimensions (cm)	LED	€
556.22	220/240V	1150 lm	phase cut	C46 / C74	150	Ø 20	10W 2700K	259,00
556.22	220/240V	1150 lm	phase cut	C41 / C50 / C99	150	Ø 20	10W 2700K	359,00

Dome	Ring	
		C41 Brushed brass
		C46 Sand grey
		C50 Pewter
		C74 Sand black
		C99 Copper



measurements in mm

MOLLY

556.23 Pendant

Picture on page 129/130 of the catalogue

Design: Corrado Dotti

Description: Collection of contemporary hanging lamps, with a painted dome and ring either painted or finished with brushed brass, copper or pewter. The bright diamond screen is made of plexiglass to better spread light out. The collection presents lamps available in three sizes for single-unit or dynamic compositions. These lamps are very versatile and fit any kind of setting, thanks to their simple shape yet rich materials.

Materials: metal, aluminum, PMMA

Mounting: Pendant: cable length 150 cm. Canopy: Ø 13 cm included with bracket. Light source: Integrated LED.

Nt. Wt.: 2,8 kg

Class: Degree of protection IP40, insulation class 1.

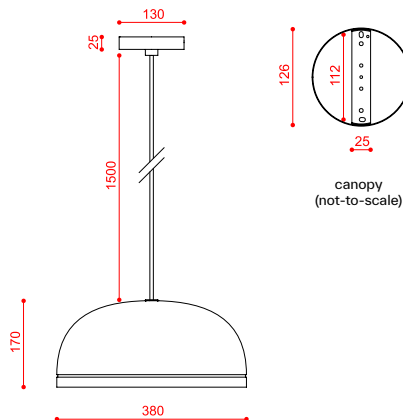
Note: 110/120V version available on request. Structure and canopy finish C74.

CE  IP40



code	voltage	nominal flux	dimmiability	dome finishes	cable (cm)	dimensions (cm)	LED	€
556.23	220/240V	1610 lm	phase cut	C46 / C74	150	Ø 38	14W 2700K	432,00
556.23	220/240V	1610 lm	phase cut	C41 / C50 / C99	150	Ø 38	14W 2700K	647,00

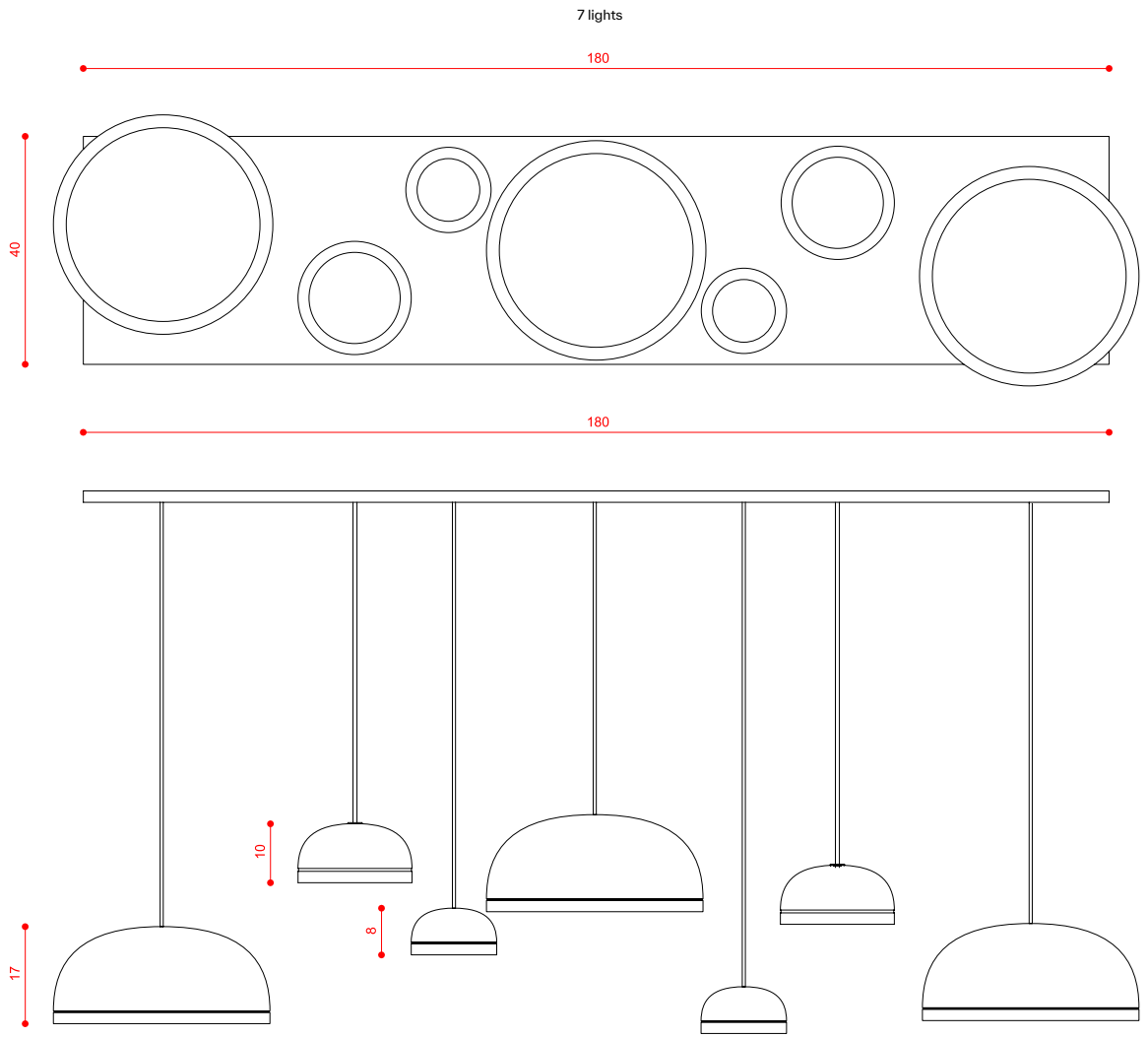
Dome	Ring	
		C41 Brushed brass
		C46 Sand grey
		C50 Pewter
		C74 Sand black
		C99 Copper



measurements in mm

Suggested application

MOLLY Pendant



MOLLY

556.26 Chandelier

Design: Corrado Dotti

Description: Collection of contemporary hanging lamps, with a painted dome and ring either painted or finished with brushed brass, copper or pewter. The bright diamond screen is made of plexiglass to better spread light out. The collection presents lamps available in three sizes for single-unit or dynamic compositions. These lamps are very versatile and fit any kind of setting, thanks to their simple shape yet rich materials.

Materials: metal, aluminum, PMMA

Mounting: Pendant: cable length 150 cm. Canopy: Ø 23 cm included with bracket. Ceiling attachment: 6 included. Light source: Integrated LED.

Nt. Wt.: 5 kg

Class: Degree of protection IP40, insulation class 1.

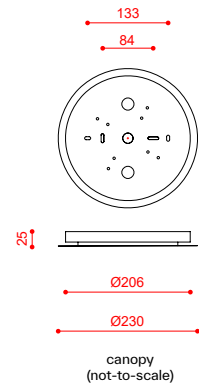
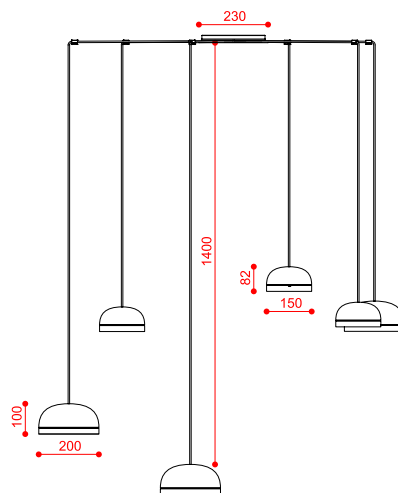
Note: Additional suspensions available on request.
110/120V version available on request.
Custom canopy on request.
Price for different color combinations on request.
Structure and canopy finish C74.



CE IP40

code	voltage	nominal flux	dimmiability	dome finishes	cable (cm)	dimensions (cm)	LED	€
556.26	220/240V	6900 lm	phase cut	C46 / C74	150	Ø 65	6 x10W 2700K	1.245,00
556.26	220/240V	6900 lm	phase cut	C41 / C50 / C99	150	Ø 65	6 x10W 2700K	1.803,00

Dome	Ring	
		C41 Brushed brass
		C46 Sand grey
		C50 Pewter
		C74 Sand black
		C99 Copper



measurements in mm

MOLLY

556.31 Side Table

Design: Corrado Dotti

Description: Collection of contemporary lamps with a painted dome and ring either painted or finished with brushed brass, copper or pewter. The bright diamond screen is made of plexiglass to better spread light out. These lamps are very versatile and fit any kind of setting, thanks to their simple shape yet rich materials.

Materials: metal, aluminum, PMMA

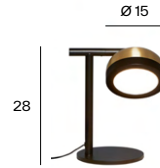
Mounting: Table: cable length 150 cm. Plug: type C (EU). Dimmer: 50 cm from the base on black fabric cable. Adjustable direct light: 270°. Light source: Integrated LED.

Nt. Wt.: 2,7 kg



Class: Degree of protection IP40, insulation class 2.

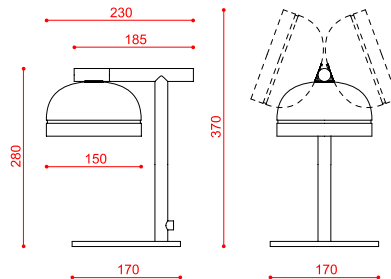
Note: 110/120V version available on request.
Structure and canopy finish C74.

CE  IP40



code	voltage	nominal flux	dimmiability	dome finishes	cable (cm)	dimensions (cm)	LED	€
556.31	220/240V	1150 lm	dimmer on cable	C46 / C74	150	H 28 - Ø 23	10W 2700K	397,00
556.31	220/240V	1150 lm	dimmer on cable	C41 / C50 / C99	150	H 28 - Ø 23	10W 2700K	436,00

Dome	Ring	
		C41 Brushed brass
		C46 Sand grey
		C50 Pewter
		C74 Sand black
		C99 Copper



measurements in mm

MOLLY

556.32 Table

Picture on page 127 of the catalogue

Design: Corrado Dotti

Description: Collection of contemporary lamps with a painted dome and ring either painted or finished with brushed brass, copper or pewter. The bright diamond screen is made of plexiglass to better spread light out. These lamps are very versatile and fit any kind of setting, thanks to their simple shape yet rich materials.

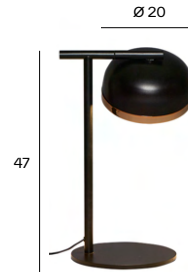
Materials: metal, aluminum, PMMA

Mounting: Table: cable length 150 cm. Plug: type C (EU). Dimmer: 50 cm from the base on black fabric cable. Adjustable direct light: 270°. Light source: Integrated LED.

Nt. Wt.: 5 kg


Class: Degree of protection IP40, insulation class 2.

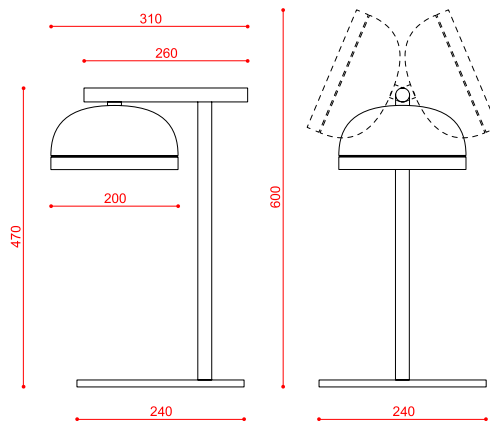
Note: 110/120V version available on request.
Structure and canopy finish C74.



CE  IP40

code	voltage	nominal flux	dimmiability	dome finishes	cable (cm)	dimensions (cm)	LED	€
556.32	220/240V	1150 lm	dimmer on cable	C46 / C74	150	H 47 - Ø 31	10W 2700K	520,00
556.32	220/240V	1150 lm	dimmer on cable	C41 / C50 / C99	150	H 47 - Ø 31	10W 2700K	576,00

Dome	Ring	
		C41 Brushed brass
		C46 Sand grey
		C50 Pewter
		C74 Sand black
		C99 Copper



measurements in mm

MOLLY

556.42 Wall

Design: Corrado Dotti

Description: Collection of contemporary lamps with a painted dome and ring either painted or finished with brushed brass, copper or pewter. The bright diamond screen is made of plexiglass to better spread light out. These lamps are very versatile and fit any kind of setting, thanks to their simple shape yet rich materials.

Materials: metal, aluminum, PMMA

Mounting: Base: Ø 11,5 cm included with bracket. Adjustable direct light: 270°. Light source: Integrated LED.

Nt. Wt.: 1,3 kg


Class: Degree of protection IP40, insulation class 1.

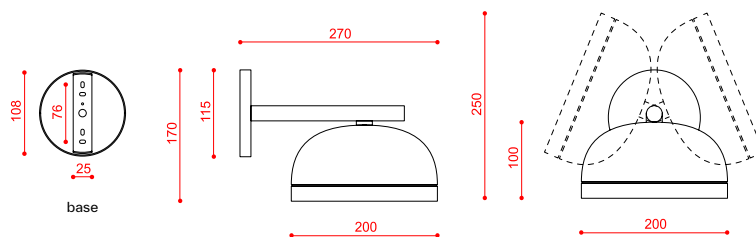
Note: 110/120V version available on request.
Structure and canopy finish C74.

CE IP40



code	voltage	nominal flux	dimmability	dome finishes	cable (cm)	dimensions (cm)	LED	€
556.42	220/240V	1150 lm	phase cut	C46 / C74	/	H 17 - L 27	10W 2700K	328,00
556.42	220/240V	1150 lm	phase cut	C41 / C50 / C99	/	H 17 - L 27	10W 2700K	404,00

Dome	Ring	
		C41 Brushed brass
		C46 Sand grey
		C50 Pewter
		C74 Sand black
		C99 Copper



measurements in mm

MOLLY

556.62 Floor

Picture on page 125 of the catalogue

Design: Corrado Dotti

Description: Collection of contemporary lamps with a painted dome and ring either painted or finished with brushed brass, copper or pewter. The bright diamond screen is made of plexiglass to better spread light out. These lamps are very versatile and fit any kind of setting, thanks to their simple shape yet rich materials.

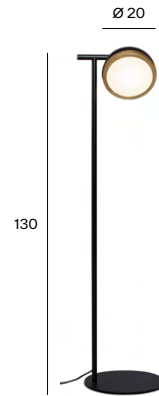
Materials: metal, aluminum, PMMA

Mounting: Floor: cable length 300 cm. Plug: type C (EU). Dimmer: 80 cm from the base on black fabric cable. Adjustable direct light: 270°. Light source: Integrated LED.

Nt. Wt.: 10 kg

Class: Degree of protection IP40, insulation class 2.

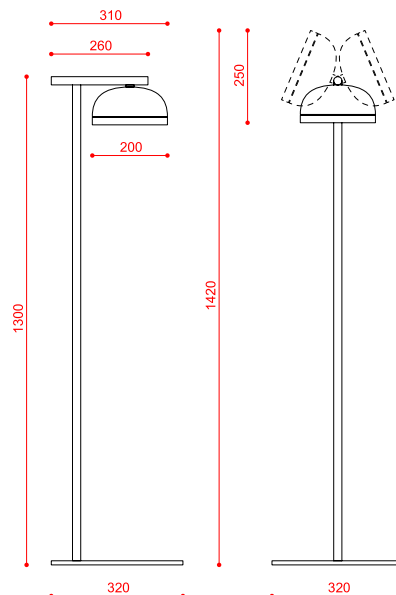
Note: 110/120V version available on request.
Structure and canopy finish C74.



CE  IP40

code	voltage	nominal flux	dimmiability	dome finishes	cable (cm)	dimensions (cm)	LED	€
556.62	220/240V	1150 lm	dimmer on cable	C46 / C74	300	H 130 - Ø 32	10W 2700K	713,00
556.62	220/240V	1150 lm	dimmer on cable	C41 / C50 / C99	300	H 130 - Ø 32	10W 2700K	788,00

Dome	Ring	
		C41 Brushed brass
		C46 Sand grey
		C50 Pewter
		C74 Sand black
		C99 Copper



measurements in mm

MOLLY

556.71 Wall/Ceiling

Picture on page 126 of the catalogue

Design: Corrado Dotti

Description: Collection of contemporary lamps with a painted dome and ring either painted or finished with brushed brass, copper or pewter. The bright diamond screen is made of plexiglass to better spread light out. These lamps are very versatile and fit any kind of setting, thanks to their simple shape yet rich materials.

Materials: metal, aluminum, PMMA

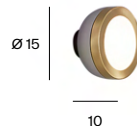
Mounting: Base: Ø 6 cm included with bracket. Light source: Integrated LED.

Nt. Wt.: 0,2 kg

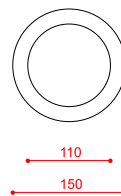
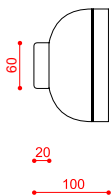
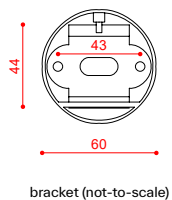
Class: Degree of protection IP40, insulation class 1.

Note: 110/120V version available on request.

CE  IP40



code	voltage	nominal flux	dimmability	dome finishes	cable (cm)	dimensions (cm)	LED	€
556.71	220/240V	1150 lm	phase cut	C46 / C74	/	D 10 - Ø 15	10W 2700K	190,00
556.71	220/240V	1150 lm	phase cut	C41 / C50 / C99	/	D 10 - Ø 15	10W 2700K	253,00



measurements in mm

MOLLY

556.72 Wall/Ceiling

Design: Corrado Dotti

Description: Collection of contemporary lamps with a painted dome and ring either painted or finished with brushed brass, copper or pewter. The bright diamond screen is made of plexiglass to better spread light out. These lamps are very versatile and fit any kind of setting, thanks to their simple shape yet rich materials.

Materials: metal, aluminum, PMMA

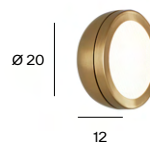
Mounting: Base: Ø 6 cm included with bracket. Light source: Integrated LED.

Nt. Wt.: 1,1 kg

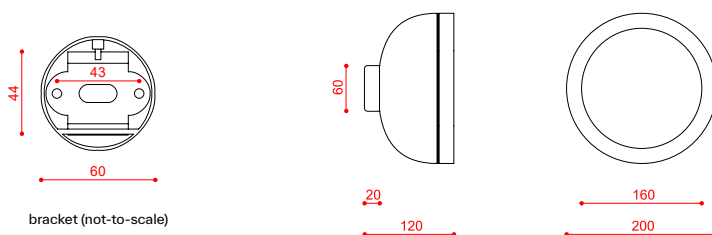
Class: Degree of protection IP40, insulation class 1.

Note: 110/120V version available on request.

CE  IP40



code	voltage	nominal flux	dimmability	dome finishes	cable (cm)	dimensions (cm)	LED	€
556.72	220/240V	1150 lm	phase cut	C46 / C74	/	D 12 - Ø 20	10W 2700K	242,00
556.72	220/240V	1150 lm	phase cut	C41 / C50 / C99	/	D 12 - Ø 20	10W 2700K	333,00



measurements in mm

MOLLY

556.73 Wall/Ceiling

Design: Corrado Dotti

Description: Collection of contemporary lamps with a painted dome and ring either painted or finished with brushed brass, copper or pewter. The bright diamond screen is made of plexiglass to better spread light out. These lamps are very versatile and fit any kind of setting, thanks to their simple shape yet rich materials.

Materials: metal, aluminum, PMMA

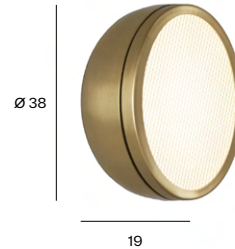
Mounting: Base: Ø 13 cm included with bracket. Light source: Integrated LED.

Nt. Wt.: 2,5 kg

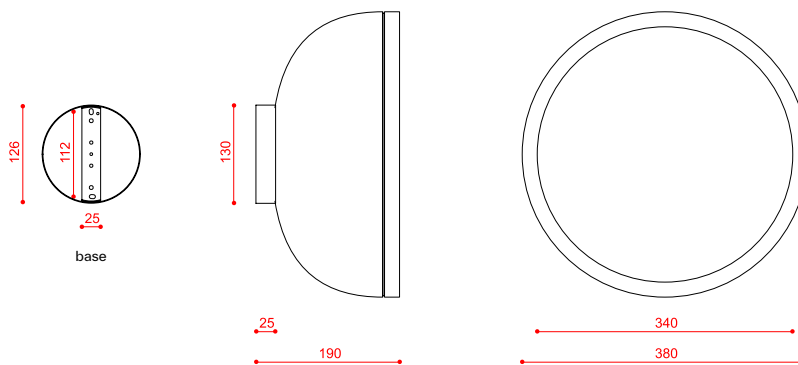
Class: Degree of protection IP40, insulation class 1.

Note: 110/120V version available on request.

CE  IP40



code	voltage	nominal flux	dimmability	dome finishes	cable (cm)	dimensions (cm)	LED	€
556.73	220/240V	1610 lm	phase cut	C46 / C74	/	D 19 - Ø 38	14W 2700K	408,00
556.73	220/240V	1610 lm	phase cut	C41 / C50 / C99	/	D 19 - Ø 38	14W 2700K	629,00



measurements in mm

MOLLY

556.65 Floor

Design: Corrado Dotti

Description: Collection of contemporary lamps with a painted dome and ring either painted or finished with brushed brass, copper or pewter. The bright diamond screen is made of plexiglass to better spread light out. These lamps are very versatile and fit any kind of setting, thanks to their simple shape yet rich materials.

Materials: metal, aluminum, PMMA

Mounting: Floor: cable length 300 cm. Plug: type C (EU). Dimmer: 80 cm from the base on black fabric cable. Adjustable direct light: 30°. Light source: Integrated LED.

Nt. Wt.: 15 Kg


Class: Degree of protection IP40, insulation class 2.

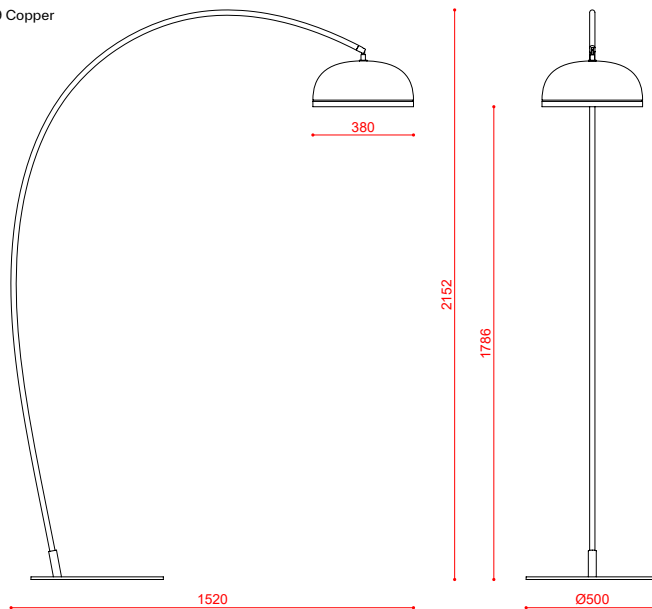
Note: 110/120V version available on request.
Structure and canopy finish C74.

CE  IP40



code	voltage	nominal flux	dimmability	dome finishes	cable (cm)	dimensions (cm)	LED	€
556.65	220/240V	1610 lm	phase cut	C46 / C74	300	H 216 - L 152	14W 2700K	1.440,00
556.65	220/240V	1610 lm	phase cut	C41 / C50 / C99	300	H 216 - L 152	14W 2700K	1.860,00

Dome	Ring	
		C41 Brushed brass
		C46 Sand grey
		C50 Pewter
		C74 Sand black
		C99 Copper



measurements in mm

MUSE

554.13 Chandelier

Picture on page 38/133/134 of the catalogue

Design: Corrado Dotti

Description: Collection of neo-vintage metal lamps with a double-sided diffuser in borosilicate glass. The metal domes (one internal and the other one external) have the internal side with different colors or finishing: they can be painted or finished in polished brass and bright copper, thus to create different textural combinations. The hanging version are provided with a further G9 source located in the lower part of the lamp.

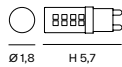
Materials: metal, brass, glass

Mounting: Pendant: 125 cm steel cable, electric cable length 150 cm. Canopy: \varnothing 13 cm included with bracket. Light source: G9 bulb.

Nt. Wt.: 12 kg

Class: Degree of protection IP40, insulation class 1.

Note: 110/120V version available on request.
Max dimensions bulb (excluded):



CE IP40



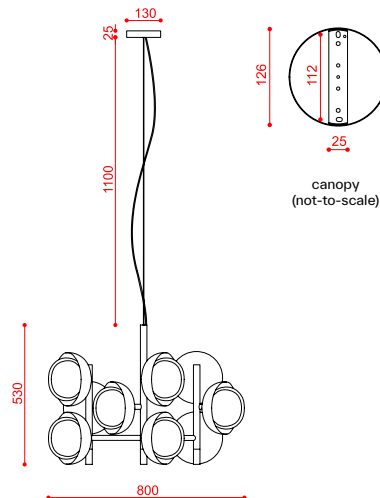
code	voltage	nominal flux	dimmiability	finishes	cable (cm)	dimensions (cm)	recommended LED bulb	€
554.13	220/240V	/	according to bulb	C74 + C41	125	H 53 - \varnothing 80	13 x G9 max 5W	2.460,00
554.13	220/240V	/	according to bulb	C74 + C99	125	H 53 - \varnothing 80	13 x G9 max 5W	2.460,00

Hardware



C74 Sand black + C41 Brushed brass

C74 Sand black + C99 Copper



measurements in mm

MUSE

554.14 Chandelier

Picture on page 137 of the catalogue

Design: Corrado Dotti

Description: Collection of neo-vintage metal lamps with a double-sided diffuser in borosilicate glass. The metal domes (one internal and the other one external) have the internal side with different colors or finishing: they can be painted or finished in polished brass and bright copper, thus to create different textural combinations.

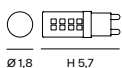
Materials: metal, brass, glass

Mounting: Pendant: cable length 150 cm. Canopy: Ø 50 cm included with bracket. Light source: G9 bulb.

Nt. Wt.: 9,3 kg

Class: Degree of protection IP40, insulation class 1.

Note: Custom canopy on request.
Additional suspensions available on request.
110/120V version available on request.
Max dimensions bulb (excluded):



CE IP40



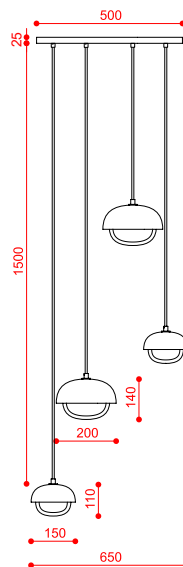
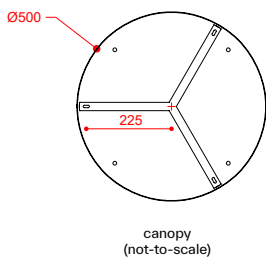
code	voltage	nominal flux	dimmiability	finishes	cable (cm)	dimensions (cm)	recommended LED bulb	€
554.14	220/240V	/	according to bulb	C74 + C41	150	Ø 65	4 x G9 max 5W	801,00
554.14	220/240V	/	according to bulb	C74 + C99	150	Ø 65	4 x G9 max 5W	801,00

Hardware



C74 Sand black + C41 Brushed brass

C74 Sand black + C99 Copper



measurements in mm

MUSE

554.21 Pendant

Design: Corrado Dotti

Description: Collection of neo-vintage metal lamps with a double-sided diffuser in borosilicate glass. The metal domes (one internal and the other one external) have the internal side with different colors or finishing: they can be painted or finished in polished brass and bright copper, thus to create different textural combinations.

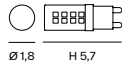
Materials: metal, brass, glass

Mounting: Pendant: cable length 150 cm. Canopy: Ø 13 cm included with bracket. Light source: G9 bulb.

Nt. Wt.: 1,5 kg

Class: Degree of protection IP40, insulation class 1.

Note: 110/120V version available on request.
Max dimensions bulb (excluded):



CE IP40

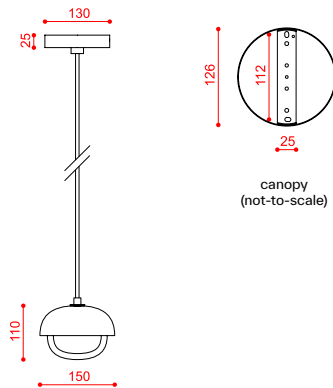


code	voltage	nominal flux	dimmiability	finishes	cable (cm)	dimensions (cm)	recommended LED bulb	€
554.21	220/240V	/	according to bulb	C74 + C41	150	H 12 - Ø 15	1 x G9 max 5W	184,00
554.21	220/240V	/	according to bulb	C74 + C99	150	H 12 - Ø 15	1 x G9 max 5W	184,00

Hardware



C74 Sand black + C41 Brushed brass
C74 Sand black + C99 Copper



measurements in mm

MUSE

554.22 Pendant

Design: Corrado Dotti

Description: Collection of neo-vintage metal lamps with a double-sided diffuser in borosilicate glass. The metal domes (one internal and the other one external) have the internal side with different colors or finishing: they can be painted or finished in polished brass and bright copper, thus to create different textural combinations.

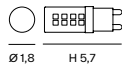
Materials: metal, brass, glass

Mounting: Pendant: cable length 150 cm. Canopy: Ø 13 cm included with bracket. Light source: G9 bulb.

Nt. Wt.: 2,0 kg

Class: Degree of protection IP40, insulation class 1.

Note: 110/120V version available on request.
Max dimensions bulb (excluded):



CE IP40



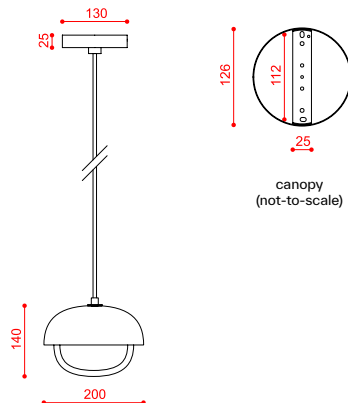
code	voltage	nominal flux	dimmiability	finishes	cable (cm)	dimensions (cm)	recommended LED bulb	€
554.22	220/240V	/	according to bulb	C74 + C41	150	H 19 - Ø 20	1 x G9 max 5W	225,00
554.22	220/240V	/	according to bulb	C74 + C99	150	H 19 - Ø 20	1 x G9 max 5W	225,00

Hardware



C74 Sand black + C41 Brushed brass

C74 Sand black + C99 Copper



measurements in mm

MUSE

554.25 Chandelier

Design: Corrado Dotti

Description: Collection of neo-vintage metal lamps with a double-sided diffuser in borosilicate glass. The metal domes (one internal and the other one external) have the internal side with different colors or finishing: they can be painted or finished in polished brass and bright copper, thus to create different textural combinations. The hanging version are provided with a further G9 source located in the lower part of the lamp.

Materials: metal, brass, glass

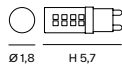
Mounting: Pendant: 125 cm steel cable, electric cable length 150 cm. Canopy: Ø 13 cm included with bracket. Light source: G9 bulb.

Nt. Wt.: 4,6 kg

Class: Degree of protection IP40, insulation class 1.

Note: 110/120V version available on request.

Max dimensions bulb (excluded):



CE IP40



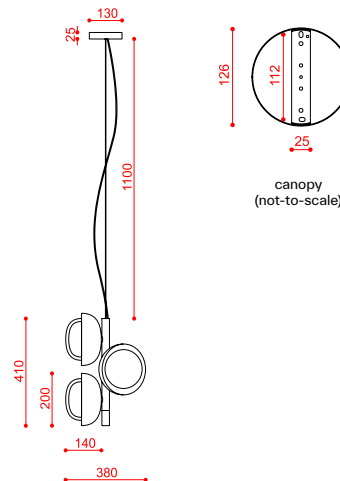
code	voltage	nominal flux	dimmability	finishes	cable (cm)	dimensions (cm)	recommended LED bulb	€
554.25	220/240V	/	according to bulb	C74 + C41	125	H 41 - Ø 38	5 x G9 max 5W	932,00
554.25	220/240V	/	according to bulb	C74 + C99	125	H 41 - Ø 38	5 x G9 max 5W	932,00

Hardware



C74 Sand black + C41 Brushed brass

C74 Sand black + C99 Copper



measurements in mm

MUSE

554.35 Table

Picture on page 139 of the catalogue

Design: Corrado Dotti

Description: Collection of neo-vintage metal lamps with a double-sided diffuser in borosilicate glass. The metal domes (one internal and the other one external) have the internal side with different colors or finishing: they can be painted or finished in polished brass and bright copper, thus to create different textural combinations.

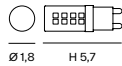
Materials: metal, brass, glass

Mounting: Floor: cable length 150 cm. Plug: type F (Schuko). On/off switch: 50 cm from the base on black fabric cable. Light source: G9 bulb.

Nt. Wt.: 8 kg

Class: Degree of protection IP40, insulation class 1.

Note: 110/120V version available on request.
Dimmer version available on request.
Max dimensions bulb (excluded):



CE IP40



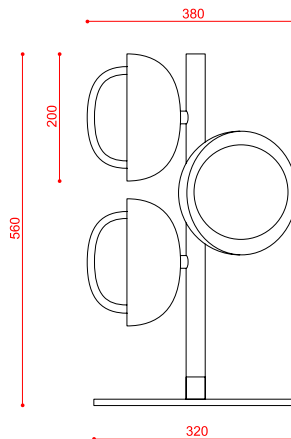
code	voltage	nominal flux	dimmiability	finishes	cable (cm)	dimensions (cm)	recommended LED bulb	€
554.35	220/240V	/	/	C74 + C41	150	H 55 - Ø 32	4 x G9 max 5W	888,00
554.35	220/240V	/	/	C74 + C99	150	H 55 - Ø 32	4 x G9 max 5W	888,00

Hardware



C74 Sand black + C41 Brushed brass

C74 Sand black + C99 Copper



measurements in mm

MUSE

554.44 Wall

Design: Corrado Dotti

Description: Collection of neo-vintage metal lamps with a double-sided diffuser in borosilicate glass. The metal domes (one internal and the other one external) have the internal side with different colors or finishing: they can be painted or finished in polished brass and bright copper, thus to create different textural combinations. The wall lamp version are provided with a further G9 source located in the lower part of the lamp.

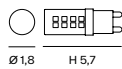
Materials: metal, brass, glass

Mounting: Base: Ø 13 cm included with bracket. Light source: G9 bulb.

Nt. Wt.: 3,9 kg

Class: Degree of protection IP40, insulation class 1.

Note: 110/120V version available on request.
Max dimensions bulb (excluded):



CE IP40



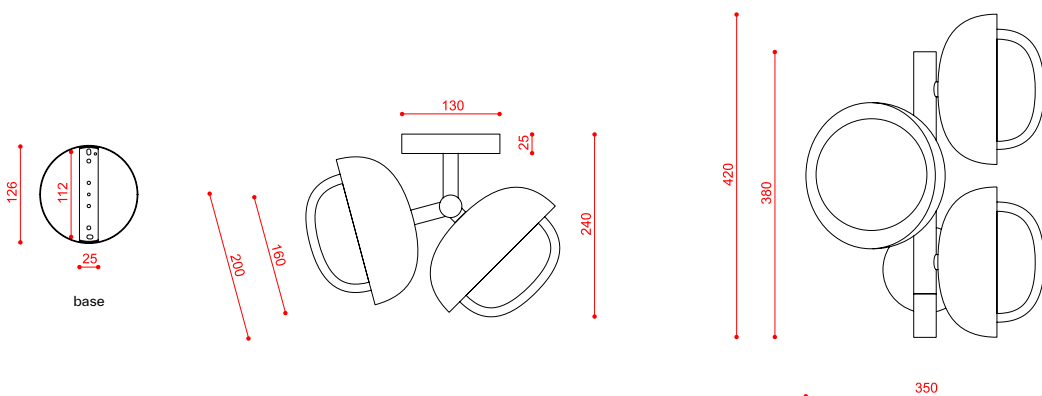
code	voltage	nominal flux	dimmiability	finishes	cable (cm)	dimensions (cm)	recommended LED bulb	€
554.44	220/240V	/	according to bulb	C74 + C41	/	H 42 - Ø 35	4 x G9 max 5W	849,00
554.44	220/240V	/	according to bulb	C74 + C41	/	H 42 - Ø 35	4 x G9 max 5W	849,00

Hardware



C74 Sand black + C41 Brushed brass

C74 Sand black + C99 Copper



measurements in mm

MUSE

554.65 Floor

Picture on page 140 of the catalogue

Design: Corrado Dotti

Description: Collection of neo-vintage metal lamps with a double-sided diffuser in borosilicate glass. The metal domes (one internal and the other one external) have the internal side with different colors or finishing: they can be painted or finished in polished brass and bright copper, thus to create different textural combinations.

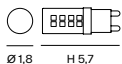
Materials: metal, brass, glass

Mounting: Floor: cable length 300 cm. Plug: type F (Schuko). On/off switch: 50 cm from the base on black fabric cable. Light source: G9 bulb.

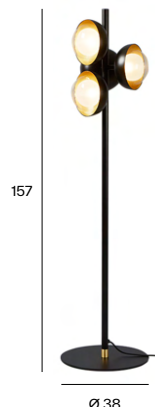
Nt. Wt.: 13 kg

Class: Degree of protection IP40, insulation class 1.

Note: 110/120V version available on request.
Dimmer version available on request.
Max dimensions bulb (excluded):



CE IP40



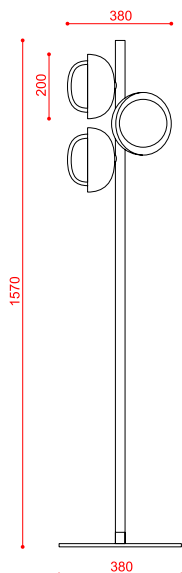
code	voltage	nominal flux	dimmability	finishes	cable (cm)	dimensions (cm)	recommended LED bulb	€
554.65	220/240V	/	/	C74 + C41	300	H 157 - Ø 38	4 x G9 max 5W	1.059,00
554.65	220/240V	/	/	C74 + C99	300	H 157 - Ø 38	4 x G9 max 5W	1.059,00

Hardware



C74 Sand black + C41 Brushed brass

C74 Sand black + C99 Copper



measurements in mm

MUSE

554.71 Wall/Ceiling

Design: Corrado Dotti

Description: Collection of neo-vintage metal lamps with a double-sided diffuser in borosilicate glass. The metal domes (one internal and the other one external) have the internal side with different colors or finishing: they can be painted or finished in polished brass and bright copper, thus to create different textural combinations.

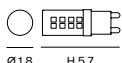
Materials: metal, brass, glass

Mounting: Base: Ø 7 cm (with Ø 5 mm holes). Light source: G9 bulb.

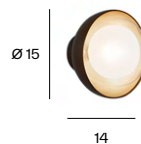
Nt. Wt.: 0,4 kg

Class: Degree of protection IP40, insulation class 1.

Note: 110/120V version available on request.
Max dimensions bulb (excluded):



CE IP40



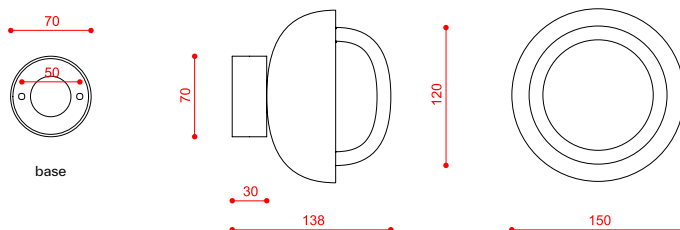
code	voltage	nominal flux	dimmability	finishes	cable (cm)	dimensions (cm)	recommended LED bulb	€
554.71	220/240V	/	according to bulb	C74 + C41	/	D 14 - Ø 15	1 x G9 max 5W	182,00
554.71	220/240V	/	according to bulb	C74 + C99	/	D 14 - Ø 15	1 x G9 max 5W	182,00

Hardware



C74 Sand black + C41 Brushed brass

C74 Sand black + C99 Copper



MUSE

554.72 Wall/Ceiling

Design: Corrado Dotti

Description: Collection of neo-vintage metal lamps with a double-sided diffuser in borosilicate glass. The metal domes (one internal and the other one external) have the internal side with different colors or finishing: they can be painted or finished in polished brass and bright copper, thus to create different textural combinations.

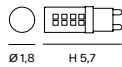
Materials: metal, brass, glass

Mounting: Base: Ø 7 cm (with Ø 5 mm holes). Light source: G9 bulb.

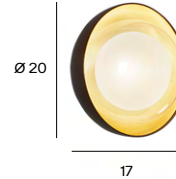
Nt. Wt.: 0,5 kg

Class: Degree of protection IP40, insulation class 1.

Note: 110/120V version available on request.
Max dimensions bulb (excluded):



CE IP40

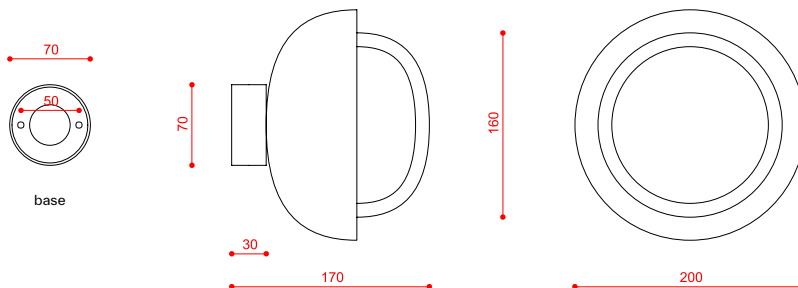


code	voltage	nominal flux	dimmability	finishes	cable (cm)	dimensions (cm)	recommended LED bulb	€
554.72	220/240V	/	according to bulb	C74 + C41	/	D 17 - Ø 20	1 x G9 max 5W	212,00
554.72	220/240V	/	according to bulb	C74 + C99	/	D 17 - Ø 20	1 x G9 max 5W	212,00

Hardware



C74 Sand black + C41 Brushed brass
C74 Sand black + C99 Copper



NABILA

552.19 Chandelier

Picture on page 160 of the catalogue

Design: Corrado Dotti

Description: A double-sided spherical bright object in borosilicate glass makes these lamps available in different compositions and a structure made by metal coated with epoxy powder enriched with brushed brass or black chrome details. Richness and sobriety all in one single element.

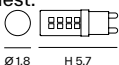
Materials: metal, brass, glass

Mounting: Chandelier: 30/60/90 cm stems included (adjusted on site). Canopy: Ø13 cm included with bracket. Glasses: 9 x Ø12 cm. Light source: G9 bulb.

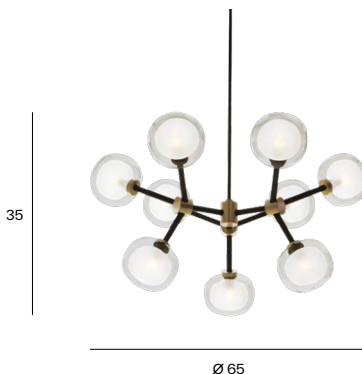
Nt. Wt.: 4 kg

Class: Degree of protection IP40, insulation class 1.

Note: Custom stem on request (25 cm min.).
Custom canopy on request.
Sloped ceiling canopy on request.
110/120V version available on request.
Max dimensions bulb (excluded):



CE IP40



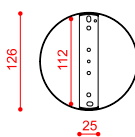
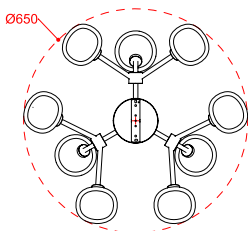
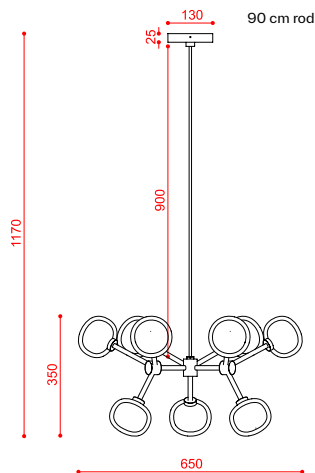
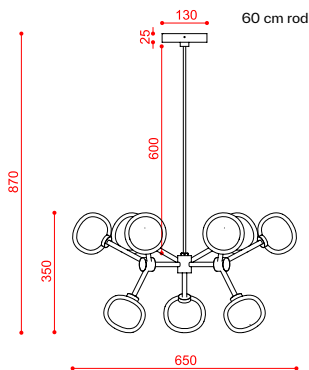
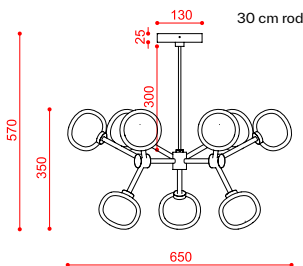
code	voltage	nominal flux	dimmability	finishes	stem included (cm) adj. on site	dimensions (cm)	recommended LED bulb	€
552.19	220/240V	/	according to bulb	C2 + C41 + clear	30/60/90	H 35 x Ø 65	9 x G9 max 5W	1.167,00
552.19	220/240V	/	according to bulb	C2 + C48 + smoke	30/60/90	H 35 x Ø 65	9 x G9 max 5W	1.474,00

Hardware Details Glass



C2 Matte black + C41 Brushed brass + Clear glass

C2 Matte black + C48 Black chrome + Smoke glass



canopy (not-to-scale)

measurements in mm

NABILA

552.10 Chandelier

Picture on page 157 of the catalogue

Design: Corrado Dotti

Description: A double-sided spherical bright object in borosilicate glass makes these lamps available in different compositions and a structure made by metal coated with epoxy powder enriched with brushed brass or black chrome details. Richness and sobriety all in one single element.

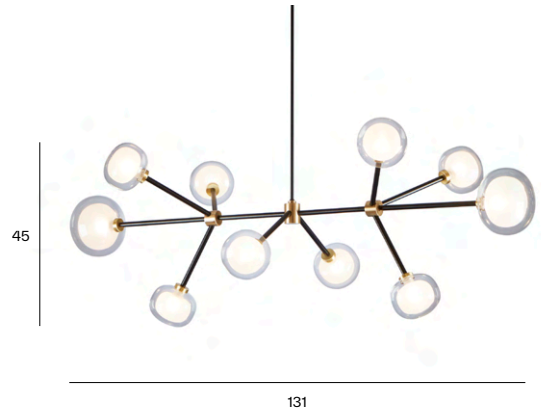
Materials: metal, brass, glass

Mounting: Chandelier: 30/60/90 cm stems included (adjusted on site). Cable: 3 x 0,75 mm². Canopy: Ø 13 cm included with bracket. Glasses: 8 x Ø 12 cm; 2 x Ø 16 cm. Light source: G9 bulb.

Nt. W/t.: 4,5 kg

Class: Degree of protection IP40, insulation class 1.

Note: Custom stem on request (25 cm min.).
Custom canopy on request.
Sloped ceiling canopy on request.
110/120V version available on request.
Max dimensions bulb (excluded):

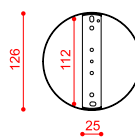
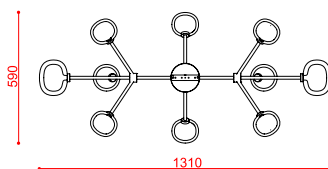
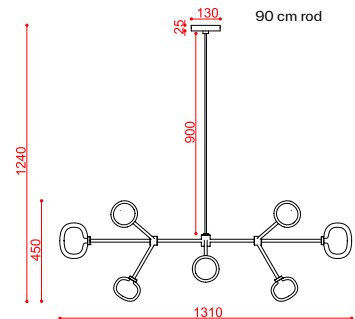
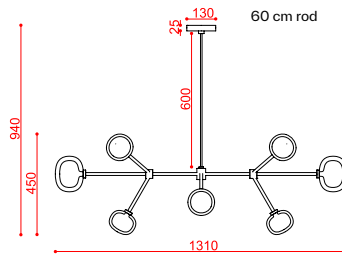
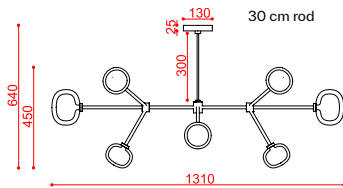


CE IP40

code	voltage	nominal flux	dimmability	finishes	stem included (cm) adj. on site	dimensions (cm)	recommended LED bulb	€
552.10	220/240V	/	according to bulb	C2 + C41 + clear	30/60/90	H 45 x L 131 x W 59	10 x G9 max 5W	1.466,00
552.10	220/240V	/	according to bulb	C2 + C48 + smoke	30/60/90	H 45 x L 131 x W 59	10 x G9 max 5W	1.839,00



C2 Matte black + C41 Brushed brass + Clear glass
C2 Matte black + C48 Black chrome + Smoke glass



canopy
(not-to-scale)

measurements in mm

NABILA

552.12 Chandelier

Picture on page 155 of the catalogue

Design: Corrado Dotti

Description: A double-sided spherical bright object in borosilicate glass makes these lamps available in different compositions and a structure made by metal coated with epoxy powder enriched with brushed brass or black chrome details. Richness and sobriety all in one single element.

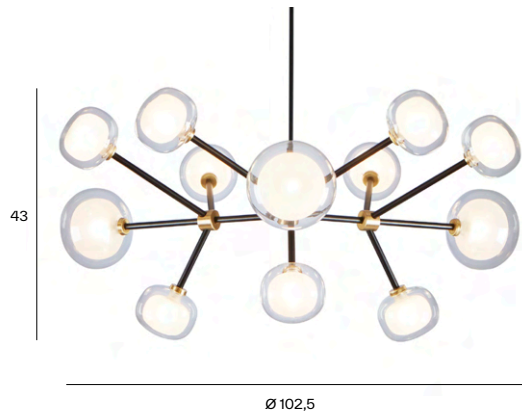
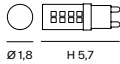
Materials: metal, brass, glass

Mounting: Chandelier: 30/60/90 cm stems included (adjusted on site). Canopy: Ø 13 cm included with bracket. Glasses: 9 x Ø 12 cm; 3 x Ø 16 cm. Light source: G9 bulb.

Nt. Wt.: 6 kg

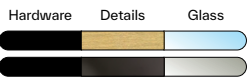
Class: Degree of protection IP40, insulation class 1.

Note: Custom stem on request (25 cm min.).
Custom canopy on request.
Sloped ceiling canopy on request.
110/120V version available on request.
Max dimensions bulb (excluded):

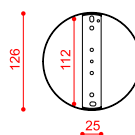
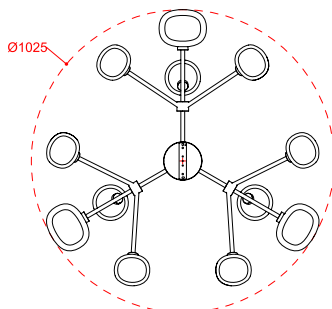
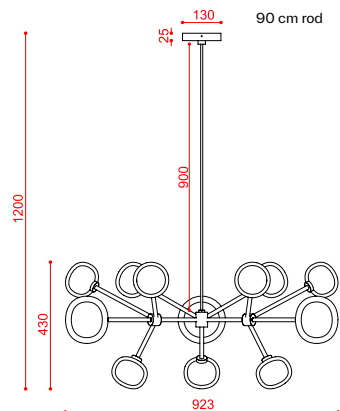
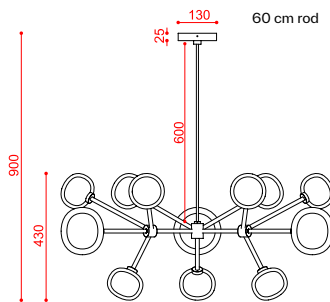
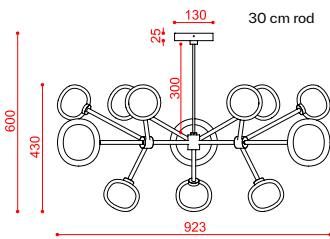


CE \oplus IP40

code	voltage	nominal flux	dimmiability	finishes	stem included (cm) adj. on site	dimensions (cm)	recommended LED bulb	€
552.12	220/240V	/	according to bulb	C2 + C41 + clear	30/60/90	H 43 x Ø 102,5	12 x G9 max 5W	1.539,00
552.12	220/240V	/	according to bulb	C2 + C48 + smoke	30/60/90	H 43 x Ø 102,5	12 x G9 max 5W	1.912,00



C2 Matte black + C41 Brushed brass + Clear glass
C2 Matte black + C48 Black chrome + Smoke glass



canopy (not-to-scale)

measurements in mm

NABILA

552.16 Chandelier

Picture on page 159 of the catalogue

Design: Corrado Dotti

Description: A double-sided spherical bright object in borosilicate glass makes these lamps available in different compositions and a structure made by metal coated with epoxy powder enriched with brushed brass or black chrome details. Richness and sobriety all in one single element.

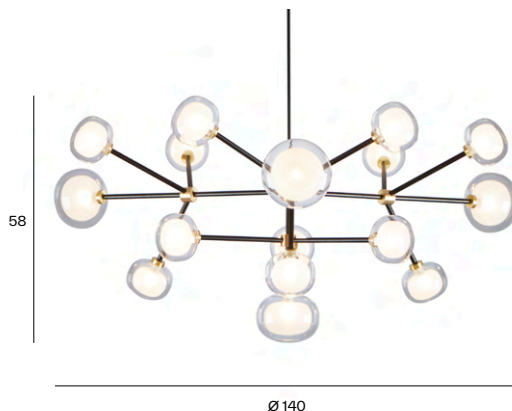
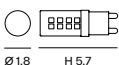
Materials: metal, brass, glass

Mounting: Chandelier: 30/60/90 cm stems included (adjusted on site). Canopy: Ø 13 cm included with bracket. Glasses: 12 x Ø 12 cm; 4 x Ø 16 cm. Light source: G9 bulb.

Nt. Wt.: 7 kg

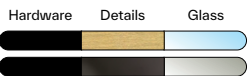
Class: Degree of protection IP40, insulation class 1.

Note: Custom stem on request (25 cm min.).
Custom canopy on request.
Sloped ceiling canopy on request.
110/120V version available on request.
Max dimensions bulb (excluded):

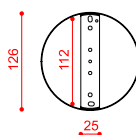
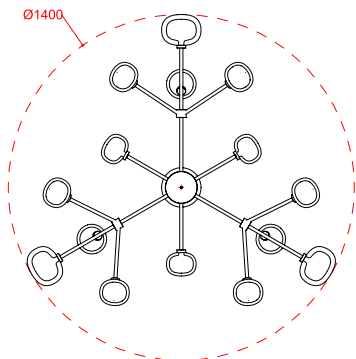
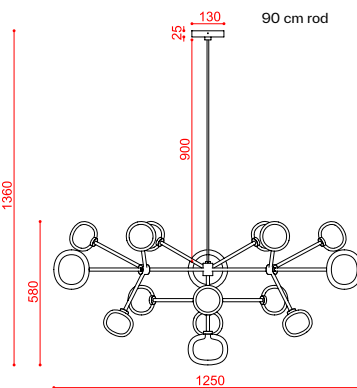
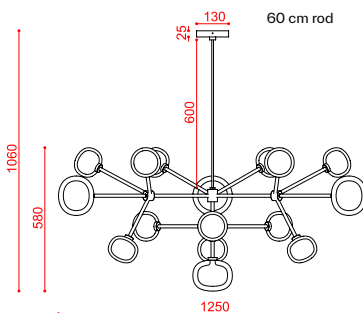
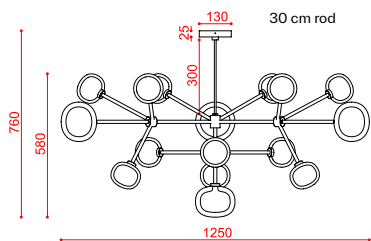


CE IP40

code	voltage	nominal flux	dimmability	finishes	stem included (cm) adj. on site	dimensions (cm)	recommended LED bulb	€
552.16	220/240V	/	according to bulb	C2 + C41 + clear	30/60/90	H 58 x Ø 140	16 x G9 max 5W	2.153,00
552.16	220/240V	/	according to bulb	C2 + C48 + smoke	30/60/90	H 58 x Ø 140	16 x G9 max 5W	2.725,00



C2 Matte black + C41 Brushed brass + Clear glass
C2 Matte black + C48 Black chrome + Smoke glass



canopy
(not-to-scale)

measurements in mm

NABILA

552.48 Chandelier

Picture on page 31/147 of the catalogue

Design: Corrado Dotti

Description: A double-sided spherical bright object in borosilicate glass makes these lamps available in different compositions and a structure made by metal coated with epoxy powder enriched with brushed brass or black chrome details. Richness and sobriety all in one single element.

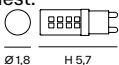
Materials: metal, brass, glass

Mounting: Chandelier: custom stem included (adjusted on site).
Canopy: Ø 11 cm included with ring hook. Glasses: 36 x Ø 12 cm; 12 x Ø 16 cm. Light source: G9 bulb.

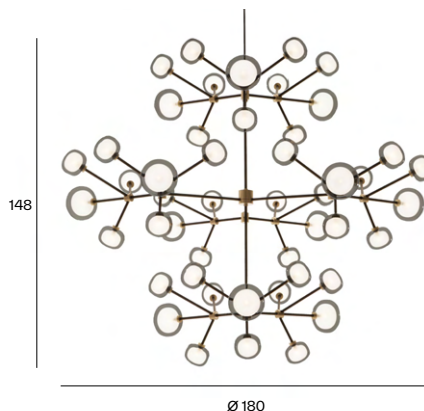
Nt. W/t.: 29 kg

Class: Degree of protection IP40, insulation class 1.

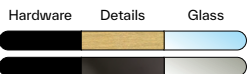
Note: Custom canopy on request.
Sloped ceiling canopy on request.
110/120V version available on request.
Max dimensions bulb (excluded):



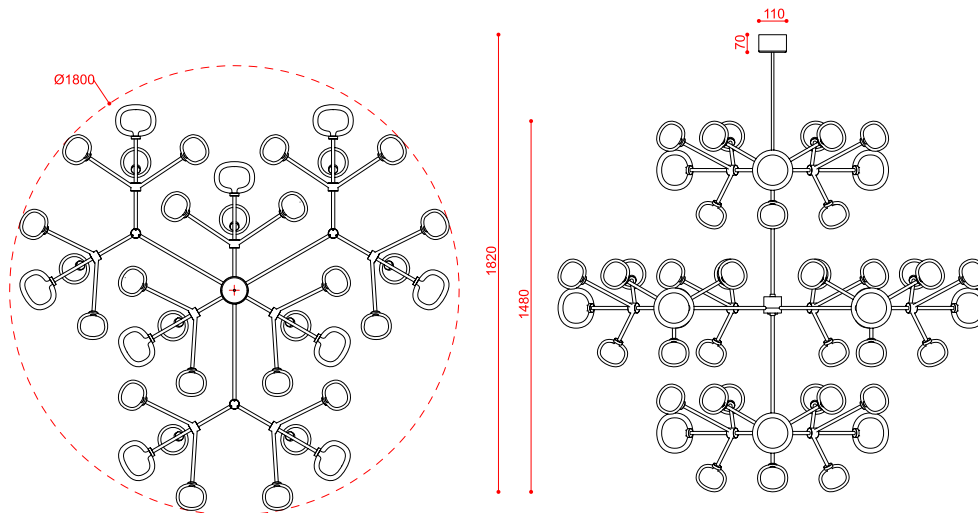
CE IP40



code	voltage	nominal flux	dimmiability	finishes	stem included (cm)	dimensions (cm)	recommended LED bulb	€
552.48	220/240V	/	according to bulb	C2 + C41 + clear	custom	H 148 x Ø 180	48 x G9 max 5W	8.733,00
552.48	220/240V	/	according to bulb	C2 + C48 + smoke	custom	H 148 x Ø 180	48 x G9 max 5W	10.483,00



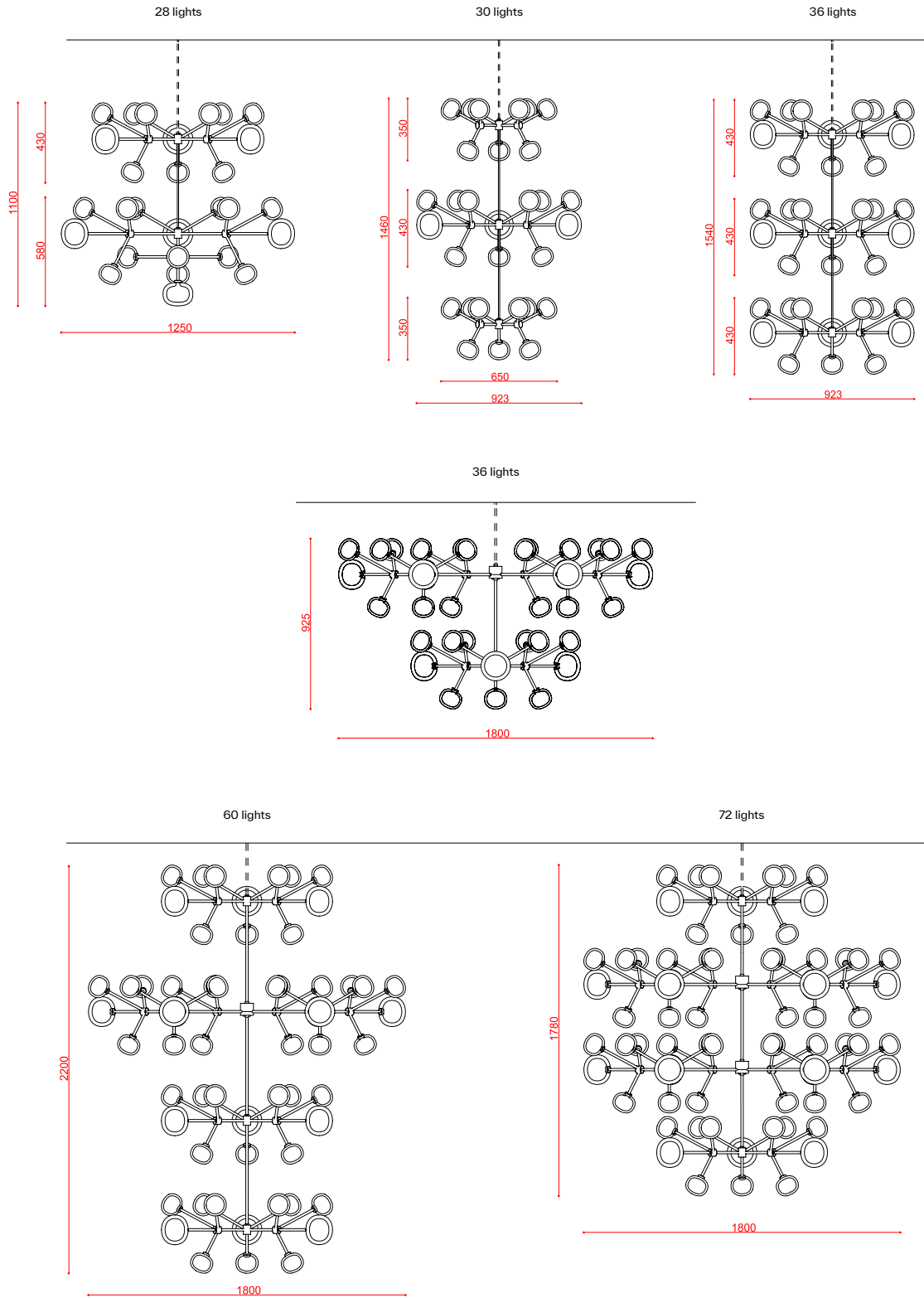
C2 Matte black + C41 Brushed brass + Clear glass
C2 Matte black + C48 Black chrome + Smoke glass



measurements in mm

Suggested application

NABILA Chandelier



NABILA

552.21 Pendant

Picture on page 150/151 of the catalogue

Design: Corrado Dotti

Description: A double-sided spherical bright object in borosilicate glass makes these lamps available in different compositions and a structure made by metal coated with epoxy powder enriched with brushed brass or black chrome details. Richness and sobriety all in one single element.

Materials: metal, brass, glass

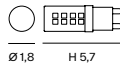
Mounting: Pendant: cable length 150 cm. Canopy: Ø 13 cm included with bracket. Glass: 1 x Ø 12 cm. Light source: G9 bulb.

Nt. Wt.: 0,8 kg

Class: Degree of protection IP40, insulation class 1.

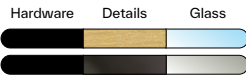
Note: 110/120V version available on request.

Max dimensions bulb (excluded):

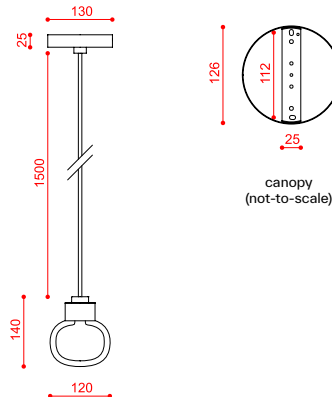


CE IP40

code	voltage	nominal flux	dimmiability	finishes	cable (cm)	dimensions (cm)	recommended LED bulb	€
552.21	220/240V	/	according to bulb	C2 + C41 + clear	150	H 14 x Ø 12	1 x G9 max 5W	165,00
552.21	220/240V	/	according to bulb	C2 + C48 + smoke	150	H 14 x Ø 12	1 x G9 max 5W	200,00



C2 Matte black + C41 Brushed brass + Clear glass
C2 Matte black + C48 Black chrome + Smoke glass



measurements in mm

NABILA

552.22 Pendant

Picture on page 150 of the catalogue

Design: Corrado Dotti

Description: A double-sided spherical bright object in borosilicate glass makes these lamps available in different compositions and a structure made by metal coated with epoxy powder enriched with brushed brass or black chrome details. Richness and sobriety all in one single element.

Materials: metal, brass, glass

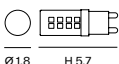
Mounting: Pendant: cable length 150 cm. Canopy: Ø 13 cm included with bracket. Glass: 1 x Ø 16 cm. Light source: G9 bulb.

Nt. Wt.: 1 kg

Class: Degree of protection IP40, insulation class 1.

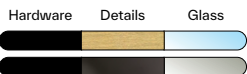
Note: 110/120V version available on request.

Max dimensions bulb (excluded):

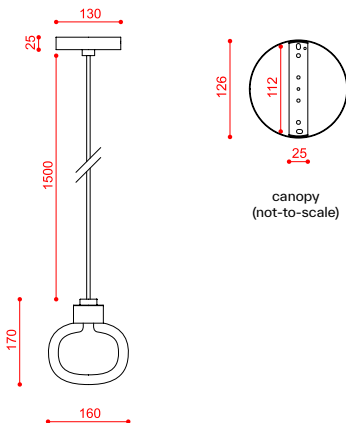


CE IP40

code	voltage	nominal flux	dimmiability	finishes	cable (cm)	dimensions (cm)	recommended LED bulb	€
552.22	220/240V	/	according to bulb	C2 + C41 + clear	150	H 17 x Ø 16	1 x G9 max 5W	186,00
552.22	220/240V	/	according to bulb	C2 + C48 + smoke	150	H 17 x Ø 16	1 x G9 max 5W	223,00



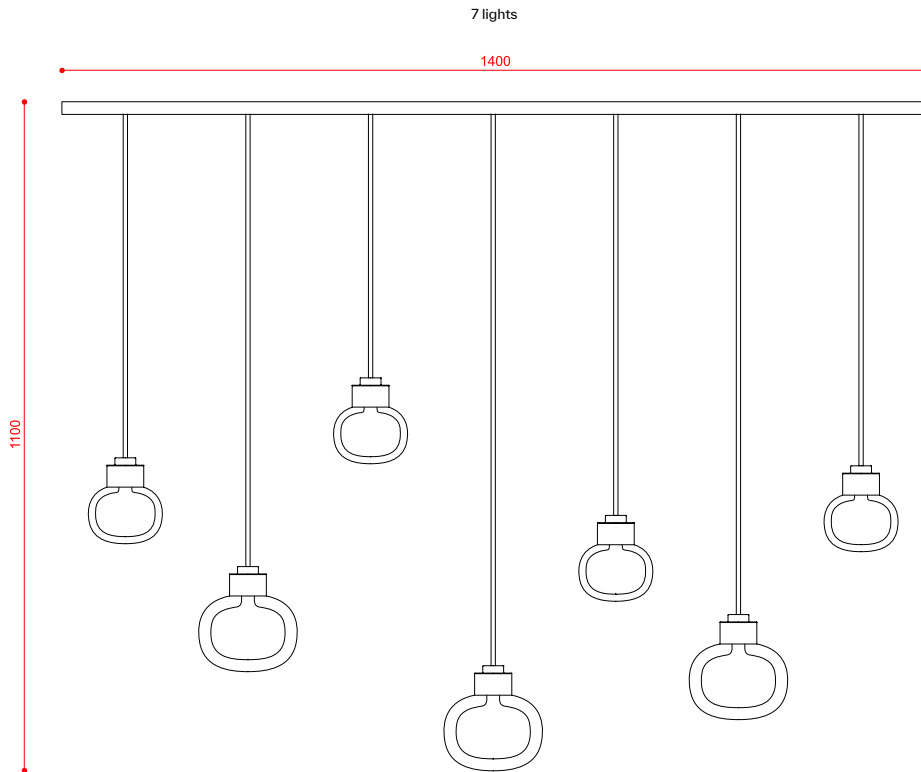
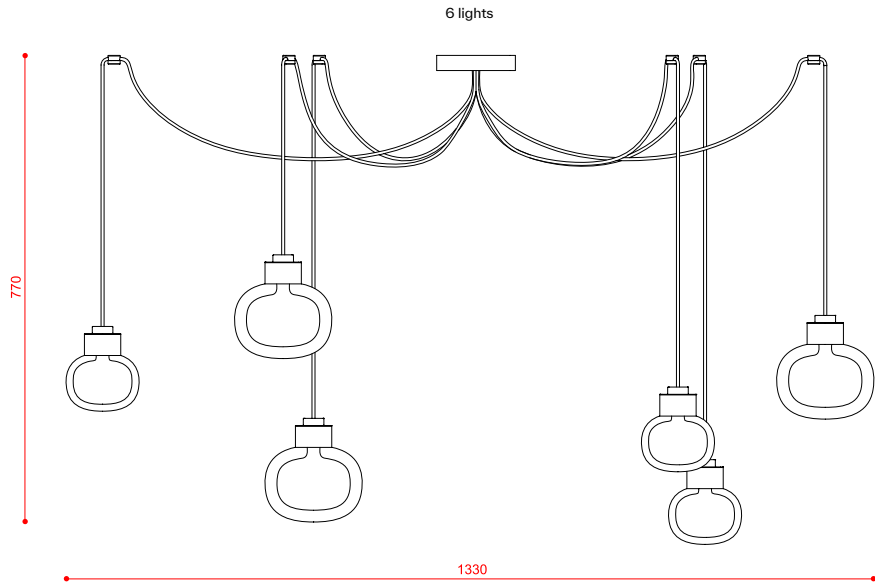
C2 Matte black + C41 Brushed brass + Clear glass
 C2 Matte black + C48 Black chrome + Smoke glass



measurements in mm

Suggested application

NABILA Pendant



NABILA

552.32 Side Table

Picture on page 154/155 of the catalogue

Design: Corrado Dotti

Description: A double-sided spherical bright object in borosilicate glass makes these lamps available in different compositions and a structure made by metal coated with epoxy powder enriched with brushed brass or black chrome details. Richness and sobriety all in one single element.

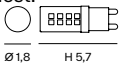
Materials: metal, brass, glass

Mounting: Table: cable length 150 cm. Plug: type C (EU). On/off switch: 50 cm from the base on black fabric cable. Glass: 1 x Ø 16 cm. Light source: G9 bulb.

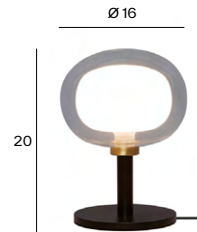
Nt. Wt.: 0,6 kg

Class: Degree of protection IP40, insulation class 2.

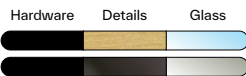
Note: Dimmer version available.
110/120V version available on request.

Max dimensions bulb (excluded):  Ø 1,8 H 5,7

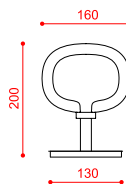
CE  IP40



code	voltage	nominal flux	dimmability	finishes	cable (cm)	dimensions (cm)	recommended LED bulb	€
552.32	220/240V	/	/	C2 + C41 + clear	150	H 20 x Ø 16	1 x G9 max 5W	178,00
552.32	220/240V	/	/	C2 + C48 + smoke	150	H 20 x Ø 16	1 x G9 max 5W	214,00



C2 Matte black + C41 Brushed brass + Clear glass
C2 Matte black + C48 Black chrome + Smoke glass



measurements in mm

NABILA

552.33 Table

Picture on page 153 of the catalogue

Design: Corrado Dotti

Description: A double-sided spherical bright object in borosilicate glass makes these lamps available in different compositions and a structure made by metal coated with epoxy powder enriched with brushed brass or black chrome details. Richness and sobriety all in one single element.

Materials: metal, brass, glass

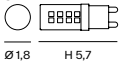
Mounting: Table: cable length 150 cm. Plug: type F (Schuko). On/off switch: 50 cm from the base on black fabric cable. Glasses: 3 x Ø 12 cm. Light source: G9 bulb.

Nt. Wt.: 4 kg

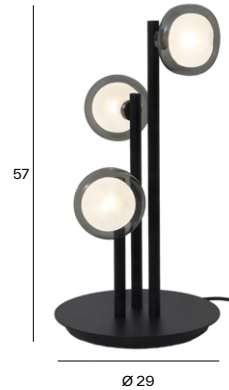
Class: Degree of protection IP40, insulation class 1.

Note: 110/120V version available on request.

Dimmer version available on request.

Max dimensions bulb (excluded):  Ø 1,8 H 5,7

CE  IP40

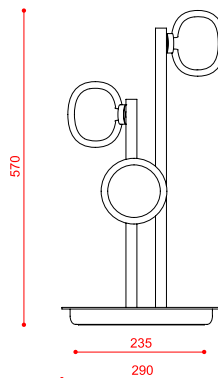


code	voltage	nominal flux	dimmability	finishes	cable (cm)	dimensions (cm)	recommended LED bulb	€
552.33	220/240V	/	/	C2 + C41 + clear	150	H 57 x Ø 29	3 x G9 max 5W	471,00
552.33	220/240V	/	/	C2 + C48 + smoke	150	H 57 x Ø 29	3 x G9 max 5W	640,00



C2 Matte black + C41 Brushed brass + Clear glass

C2 Matte black + C48 Black chrome + Smoke glass



measurements in mm

NABILA

552.36 Side Table

Picture on page 149 of the catalogue

Design: Corrado Dotti

Description: A double-sided spherical bright object in borosilicate glass makes these lamps available in different compositions and a structure made by metal coated with epoxy powder enriched with brushed brass or black chrome details. Richness and sobriety all in one single element.

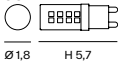
Materials: metal, brass, glass

Mounting: Table: cable length 150 cm. Plug: type C (EU). On/off switch: 50 cm from the base on black fabric cable. Glass: 1 x Ø 16 cm. Light source: G9 bulb.

Nt. Wt.: 0,7 kg

Class: Degree of protection IP40, insulation class 2.

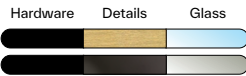
Note: Dimmer version available on request.
110/120V version available on request.

Max dimensions bulb (excluded): 

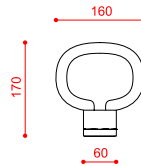
CE  IP40



code	voltage	nominal flux	dimmability	finishes	cable (cm)	dimensions (cm)	recommended LED bulb	€
552.36	220/240V	/	/	C2 + C41 + clear	150	H 17 x Ø 16	1 x G9 max 5W	163,00
552.36	220/240V	/	/	C2 + C48 + smoke	150	H 17 x Ø 16	1 x G9 max 5W	193,00



C2 Matte black + C41 Brushed brass + Clear glass
C2 Matte black + C48 Black chrome + Smoke glass



measurements in mm

NABILA

552.41 Wall/Ceiling

Picture on page 148 of the catalogue

Design: Corrado Dotti

Description: A double-sided spherical bright object in borosilicate glass makes these lamps available in different compositions and a structure made by metal coated with epoxy powder enriched with brushed brass or black chrome details. Richness and sobriety all in one single element.

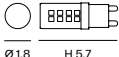
Materials: metal, brass, glass

Mounting: Base: Ø 7 cm. Glass: 1 x Ø 12 cm. Light source: G9 bulb.

Nt. Wt.: 0,2 kg

Class: Degree of protection IP40, insulation class 1.

Note: 110/120V version available on request.

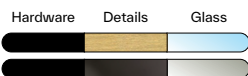
Max dimensions bulb (excluded): 



Ø 12

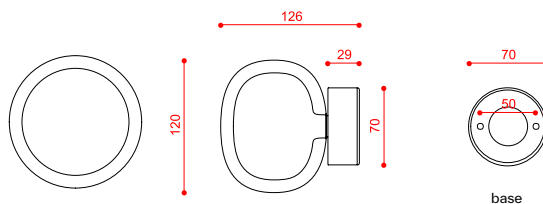
CE  IP40

code	voltage	nominal flux	dimmability	finishes	cable (cm)	dimensions (cm)	recommended LED bulb	€
552.41	220/240V	/	according to bulb	C2 + C41 + clear	/	Ø 12	1 x G9 max 5W	111,00
552.41	220/240V	/	according to bulb	C2 + C48 + smoke	/	Ø 12	1 x G9 max 5W	124,00



C2 Matte black + C41 Brushed brass + Clear glass

C2 Matte black + C48 Black chrome + Smoke glass



base

measurements in mm

NABILA

552.42 Wall/Ceiling

Picture on page 25 of the catalogue

Design: Corrado Dotti

Description: A double-sided spherical bright object in borosilicate glass makes these lamps available in different compositions and a structure made by metal coated with epoxy powder enriched with brushed brass or black chrome details. Richness and sobriety all in one single element.

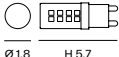
Materials: metal, brass, glass

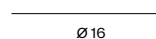
Mounting: Base: Ø 7 cm. Glass: 1 x Ø 16 cm. Bulb: max 5W.

Nt. Wt.: 0,3 kg

Class: Degree of protection IP40, insulation class 1.

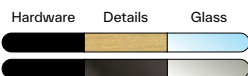
Note: 110/120V version available on request

Max dimensions bulb (excluded): 

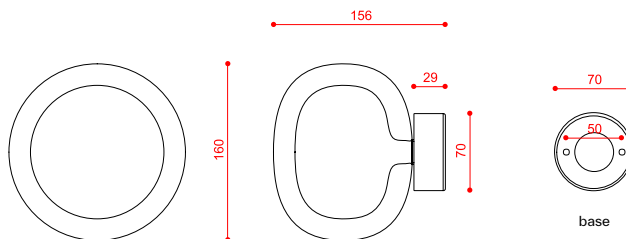


CE  IP40

code	voltage	nominal flux	dimmability	finishes	cable (cm)	dimensions (cm)	recommended LED bulb	€
552.42	220/240V	/	according to bulb	C2 + C41 + clear	/	Ø 16	1 x G9 max 5W	141,00
552.42	220/240V	/	according to bulb	C2 + C48 + smoke	/	Ø 16	1 x G9 max 5W	159,00



C2 Matte black + C41 Brushed brass + Clear glass
C2 Matte black + C48 Black chrome + Smoke glass



measurements in mm

NABILA

552.66 Floor

Picture on page 152 of the catalogue

Design: Corrado Dotti

Description: A double-sided spherical bright object in borosilicate glass makes these lamps available in different compositions and a structure made by metal coated with epoxy powder enriched with brushed brass or black chrome details. Richness and sobriety all in one single element.

Materials: metal, brass, glass

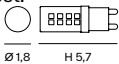
Mounting: Floor: cable length 300 cm. Plug: type F (Schuko). On/off switch: 80 cm from the base on black fabric cable. Glasses: 3 x Ø 12 cm; 3 x Ø 16 cm. Light source: G9 bulb.

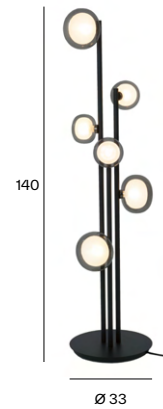
Nt. Wt.: 10 kg

Class: Degree of protection IP40, insulation class 1.

Note: 110/120V version available on request.

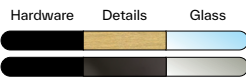
Dimmer version available on request.

Max dimensions bulb (excluded): 



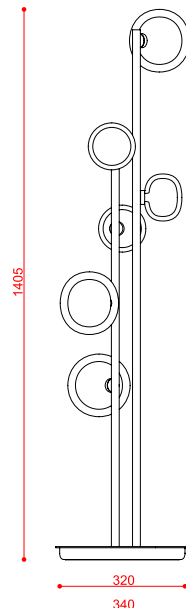
CE  IP40

code	voltage	nominal flux	dimmability	finishes	cable (cm)	dimensions (cm)	recommended LED bulb	€
552.66	220/240V	/	/	C2 + C41 + clear	300	H 140 x Ø 33	6 x G9 max 5W	823,00
552.66	220/240V	/	/	C2 + C48 + smoke	300	H 140 x Ø 33	6 x G9 max 5W	1.012,00



C2 Matte black + C41 Brushed brass + Clear glass

C2 Matte black + C48 Black chrome + Smoke glass



measurements in mm

NABILA

552.73 Wall/Ceiling

Design: Corrado Dotti

Description: A double-sided spherical bright object in borosilicate glass makes these lamps available in different compositions and a structure made by metal coated with epoxy powder enriched with brushed brass or black chrome details. Richness and sobriety all in one single element.

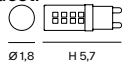
Materials: metal, brass, glass

Mounting: Base: Ø 4 cm. Glasses: 3 x Ø 12 cm. Light source: G9 bulb.

Nt. Wt.: 1 kg

Class: Degree of protection IP40, insulation class 1.

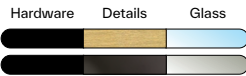
Note: Custom base on request.
110/120V version available on request.
Max dimensions bulb (excluded):



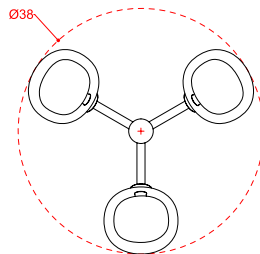
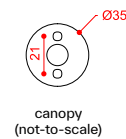
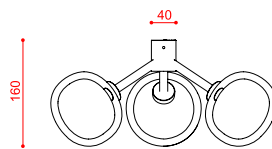
Ø 38

CE IP40

code	voltage	nominal flux	dimmiability	finishes	cable (cm)	dimensions (cm)	recommended LED bulb	€
552.73	220/240V	/	according to bulb	C2 + C41 + clear	/	D 16 - Ø 38	3 x G9 max 5W	351,00
552.73	220/240V	/	according to bulb	C2 + C48 + smoke	/	D 16 - Ø 38	3 x G9 max 5W	418,00



C2 Matte black + C41 Brushed brass + Clear glass
C2 Matte black + C48 Black chrome + Smoke glass



measurements in mm

NABILA

552.32FLAT Chandelier

Picture on page 143/144/145 of the catalogue

Design: Corrado Dotti

Description: A double-sided spherical bright object in borosilicate glass makes these lamps available in different compositions and a structure made by metal coated with epoxy powder enriched with brushed brass or black chrome details. Richness and sobriety all in one single element.

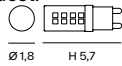
Materials: metal, brass, glass

Mounting: Chandelier: custom stem included (adjusted on site). Canopy: 3x3x79,5 cm included with fixing bracket. Glasses: 24 x Ø 12 cm; 8 x Ø 16 cm. Light source: G9 bulb.

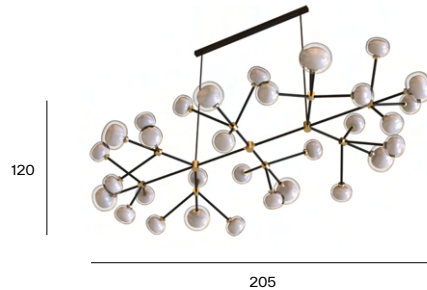
Nt. Wt.: 20 kg

Class: Degree of protection IP40, insulation class 1.

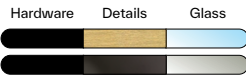
Note: Custom canopy on request.
Lamp version with cables on request.
110/120V version available on request.
Max dimensions bulb (excluded):



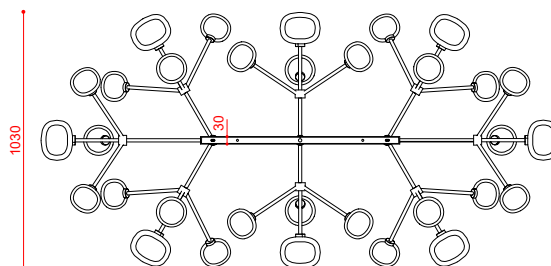
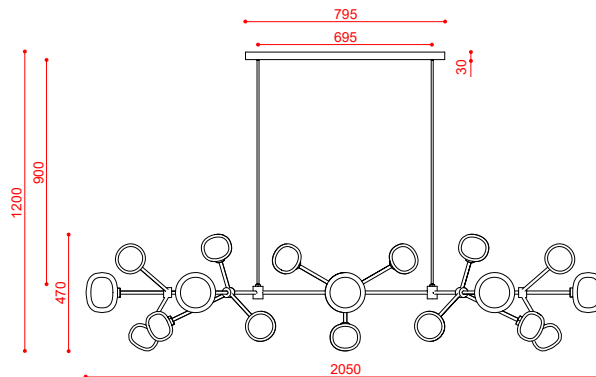
CE IP40



code	voltage	nominal flux	dimmiability	finishes	stem included (cm)	dimensions (cm)	recommended LED bulb	€
552.32FLAT	220/240V	/	according to bulb	C2 + C41 + clear	90	H 120 x L 205	32 x G9 max 5W	3.610,00
552.32FLAT	220/240V	/	according to bulb	C2 + C48 + smoke	90	H 120 x L 205	32 x G9 max 5W	4.323,00



C2 Matte black + C41 Brushed brass + Clear glass
C2 Matte black + C48 Black chrome + Smoke glass



measurements in mm

NABILA

552.48FLAT Chandelier

Design: Corrado Dotti

Description: A double-sided spherical bright object in borosilicate glass makes these lamps available in different compositions and a structure made by metal coated with epoxy powder enriched with brushed brass or black chrome details. Richness and sobriety all in one single element.

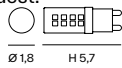
Materials: metal, brass, glass

Mounting: Chandelier: custom stem included (adjusted on site).
Canopy: 3x3x172,5 cm included with fixing bracket and ring.
Glasses: 36 x Ø 12 cm; 12 x Ø 16 cm. Light source: G9 bulb.

Nt. Wt.: 30 kg

Class: Degree of protection IP40, insulation class 1.

Note: Custom canopy on request.
Lamp version with cables on request.
110/120V version available on request.
Max dimensions bulb (excluded):



CE IP40

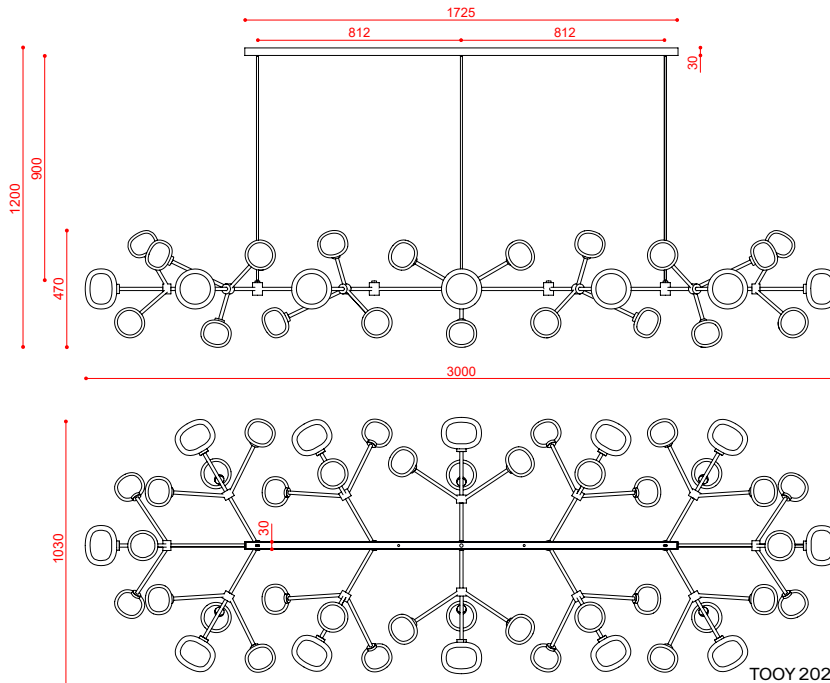


205

code	voltage	nominal flux	dimmiability	finishes	stem included (cm)	dimensions (cm)	recommended LED bulb	€
552.48FLAT	220/240V	/	according to bulb	C2 + C41 + clear	90	H 120 x L 300	48 x G9 max 5W	5.220,00
552.48FLAT	220/240V	/	according to bulb	C2 + C48 + smoke	90	H 120 x L 300	48 x G9 max 5W	6.246,00



C2 Matte black + C41 Brushed brass + Clear glass
C2 Matte black + C48 Black chrome + Smoke glass



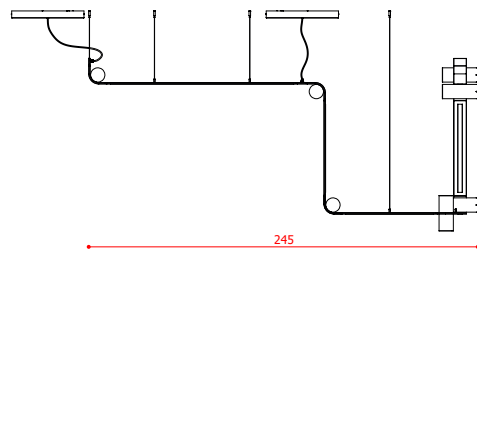
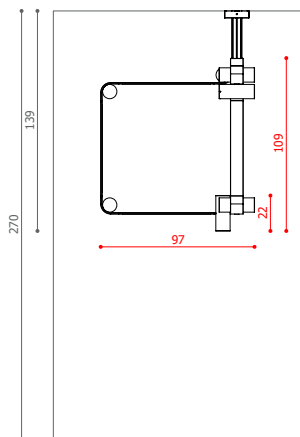
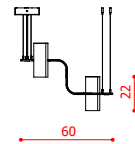
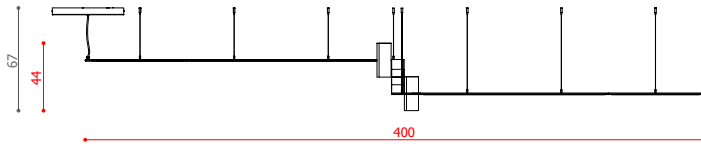
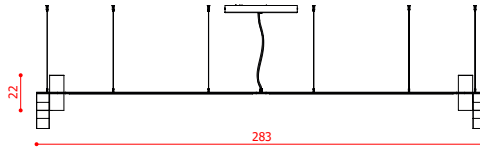
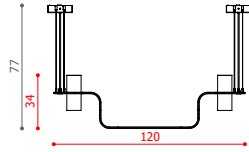
measurements in mm

Suggested application

*Ask for price list of Nastro System

NASTRO SYSTEM

Picture on page 217/218/221/222 of the catalogue

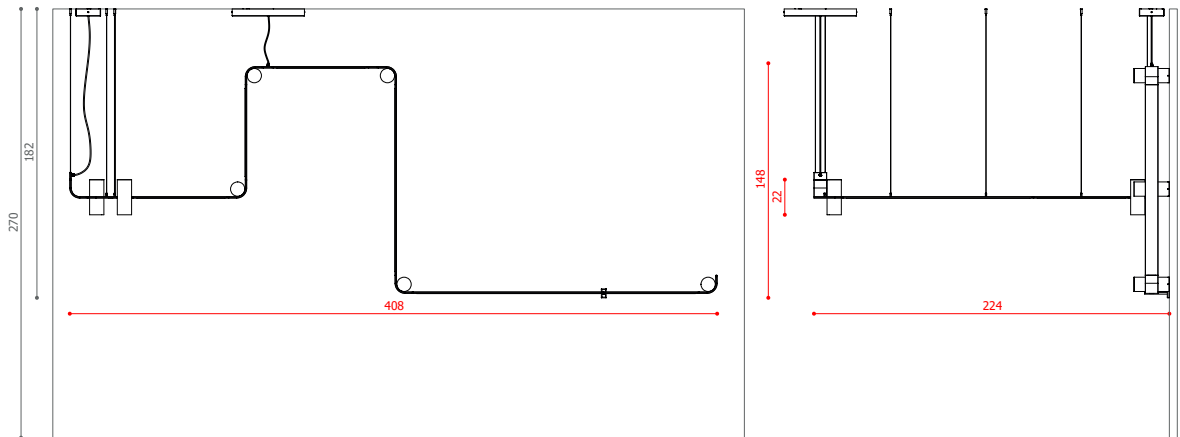
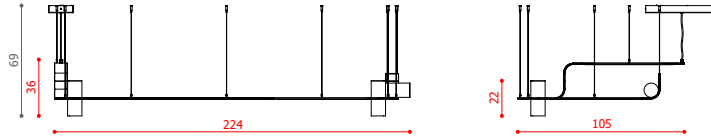
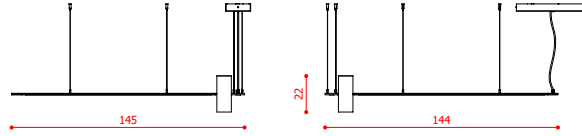


on project only

Suggested application

*Ask for price list of Nastro System

NASTRO SYSTEM



on project only

NASTRO

563.21 Pendant

Picture on page 196/197 of the catalogue

Design: Studiopepe

Description: The suspension sees an epoxy powder coated aluminum band structure accompanied by a cylindric weight that counterbalances its flexuosity, in a refined visual balance. The light source consists of a dimmable LED strip; the cylinders are available in epoxy powder coated metal, in wood and in brushed brass.

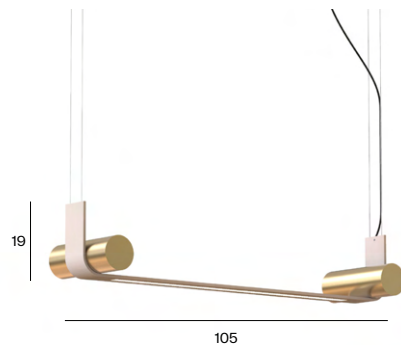
Materials: aluminum, brass, wood

Mounting: Pendant: 125 cm steel cable, electric cable length 150 cm. Canopy: 26x7x4 cm included with bracket. Light source: Integrated LED.

Nt. Wt.: 4 kg

Class: Degree of protection IP40, insulation class 1.

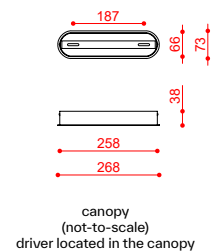
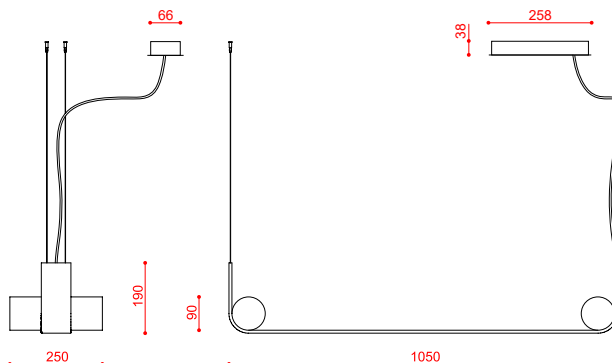
Note: Driver on board.
Decentralized canopy.
Available with indirect light.
DALI version on request.
110/120V version available on request.



CE Ⓜ IP40

code	voltage	nominal flux	dimmability	hardware finishes + cylinder	cable (cm)	dimensions (cm)	LED	€
563.21	220/240V	4500 lm	phase cut	all color combos	125	H 19 x L 105	35W 2700K	1.403,00
563.25 indirect	220/240V	4500 lm	phase cut	all color combos	125	H 19 x L 105	35W 2700K	1.403,00

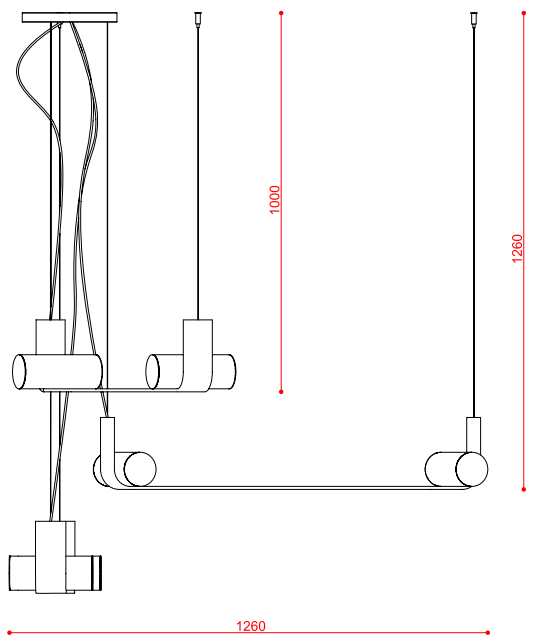
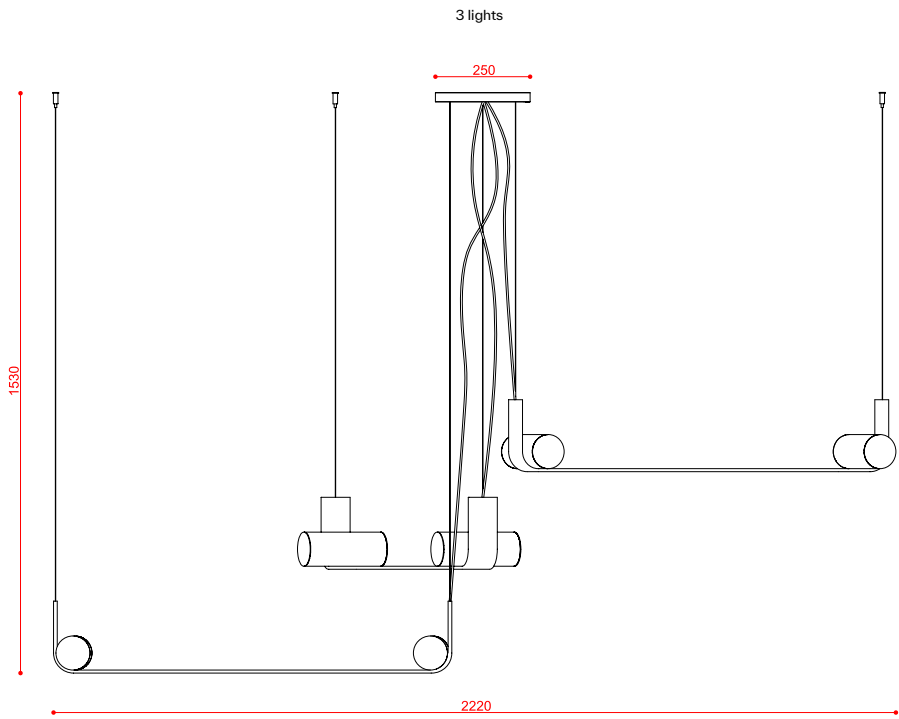
Hardware	Cylinder	
		C22 Beige
		C23 Eggshell
		C25 Terracotta
		C26 Greenish-grey
		C74 Sand black
		C41 Brushed brass
		W01 Ash



measurements in mm

Suggested application

NASTRO Pendant



NASTRO

563.22 Pendant

Picture on page 194/195 of the catalogue

Design: Studiopepe

Description: The suspension sees an epoxy powder coated aluminum band structure accompanied by a cylindric weight that counterbalances its flexuosity, in a refined visual balance. The light source consists of a dimmable LED strip; the cylinders are available in epoxy powder coated metal, in wood and in brushed brass.

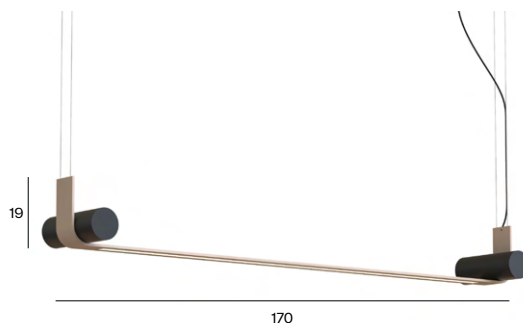
Materials: aluminum, brass, wood

Mounting: Pendant: 125 cm steel cable, electric cable length 150 cm. Canopy: 26x7x4 cm included with bracket. Light source: Integrated LED.

Nt. Wt.: 5,3 kg

Class: Degree of protection IP40, insulation class 1.

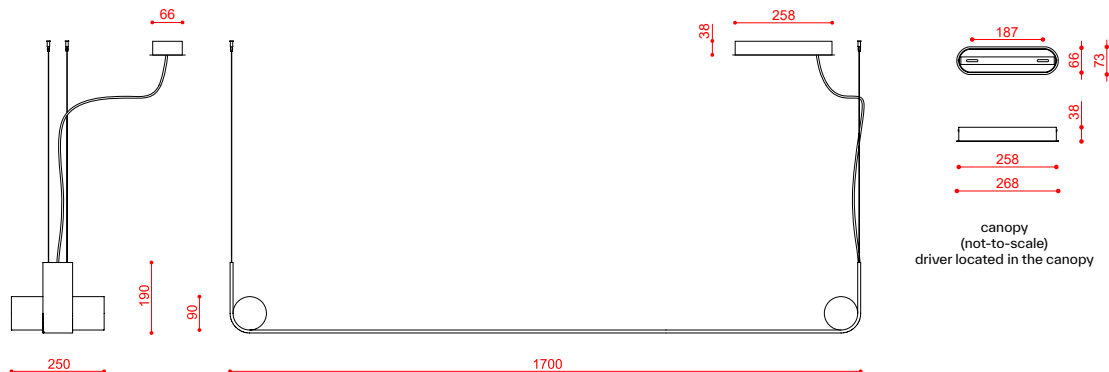
Note: Decentralized canopy.
Driver on board.
Available with indirect light.
DALI version on request.
110/120V version available on request.



CE Ⓜ IP40

code	voltage	nominal flux	dimmiability	hardware finishes + cylinder	cable (cm)	dimensions (cm)	LED	€
563.22	220/240V	8000 lm	phase cut	all color combos	125	H 19 x L 170	60W 2700K	1.699,00
563.26 indirect	220/240V	8000 lm	phase cut	all color combos	125	H 19 x L 170	60W 2700K	1.699,00

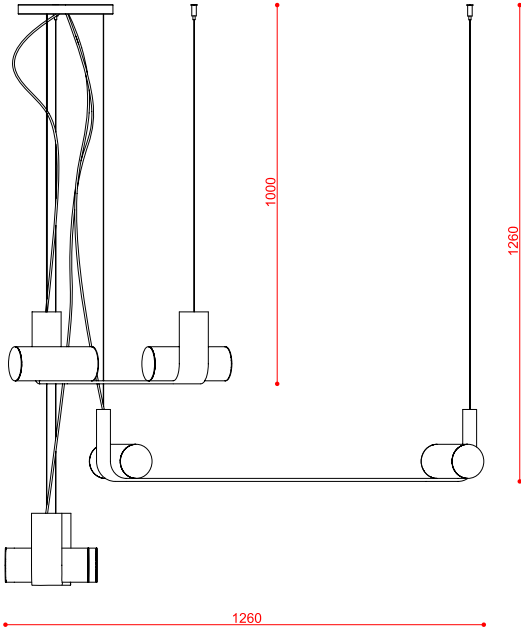
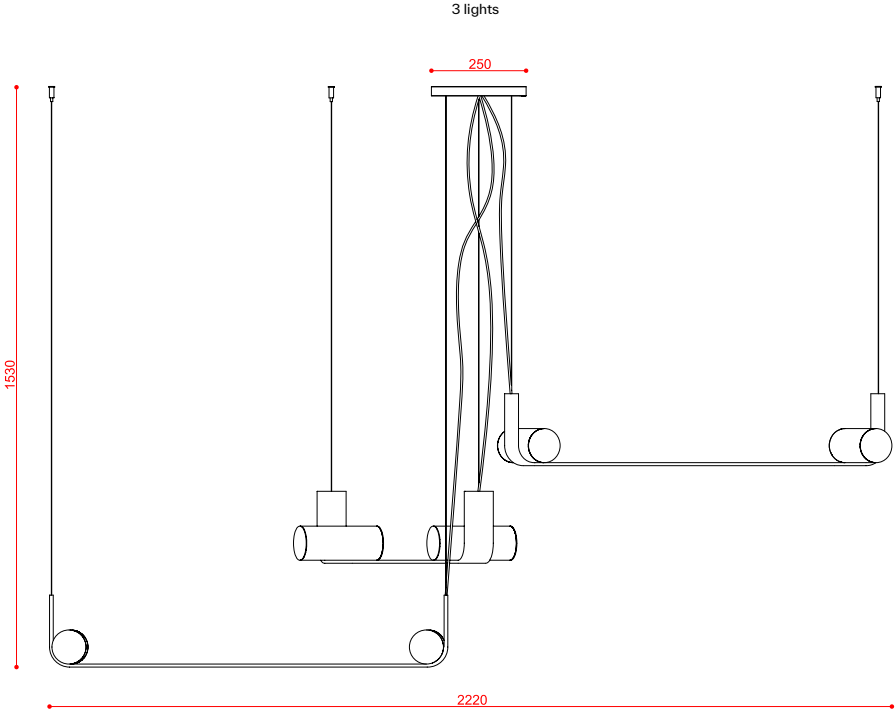
Hardware	Cylinder	
		C22 Beige
		C23 Eggshell
		C25 Terracotta
		C26 Greenish-grey
		C74 Sand black
		C41 Brushed brass
		W01 Ash



measurements in mm

Suggested application

NASTRO Pendant



NASTRO

563.31 Table

Picture on page 182/183/184/185 of the catalogue

Design: Studiopepe

Description: The Nastro table lamps sees an epoxy powder coated aluminum band structure accompanied by a cylindric weight that counterbalances its flexuosity, in a refined visual balance. The light source consists of a dimmable LED strip; the cylinders are available in epoxy powder coated metal, in wood, in brushed brass and in raw concrete or marble effect.

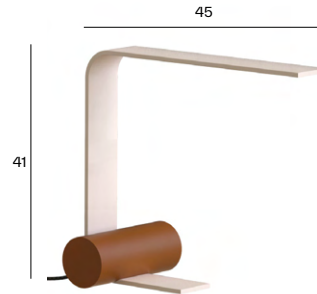
Materials: aluminum, brass, wood, concrete

Mounting: Table: cable length 150 cm. Plug: type C (EU). Switch on: touch dimmer on the structure. Light source: Integrated LED.

Nt. Wt.: 2,6 kg (+ 2 kg for M01)

Class: Degree of protection IP40, insulation class 2.

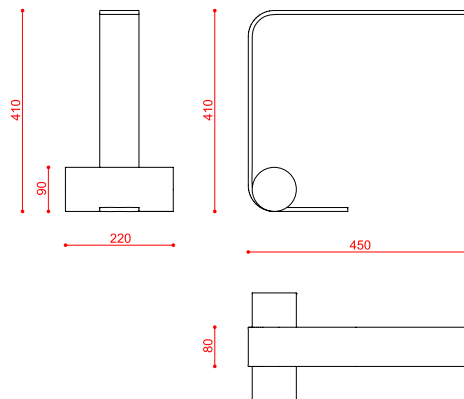
Note: Touch dimmer on board.
110/120V version available on request.



CE IP40

code	voltage	nominal flux	dimmability	hardware finishes + cylinder	cable (cm)	dimensions (cm)	LED	€
563.31	220/240V	2000 lm	on board	all color combos (no M01)	150	H 41 x L 45	15W 2700K	561,00
563.31	220/240V	2000 lm	on board	all color combos + M01	150	H 41 x L 45	15W 2700K	895,00

Hardware	Cylinder	
		C22 Beige
		C23 Eggshell
		C25 Terracotta
		C26 Greenish-grey
		C74 Sand black
		C41 Brushed brass
		W01 Ash
		M01 Concrete



measurements in mm

NASTRO

563.32 Table

Picture on page 187 of the catalogue

Design: Studiopepe

Description: The Nastro table lamps sees an epoxy powder coated aluminum band structure accompanied by a cylindrical weight that counterbalances its flexuosity, in a refined visual balance. The light source consists of a dimmable LED strip; the cylinders are available in epoxy powder coated metal, in wood, in brushed brass and in raw concrete or marble effect.

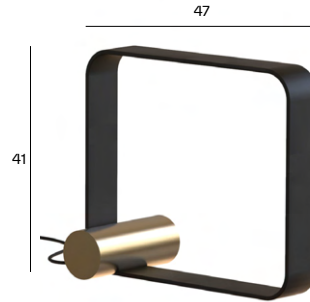
Materials: aluminum, brass, wood, concrete

Mounting: Table: cable length 150 cm. Plug: type C (EU). Switch on: touch dimmer on the structure. Light source: Integrated LED.

Nt. Wt.: 3,5 kg (+ 2 kg for M01)

Class: Degree of protection IP40, insulation class 2.

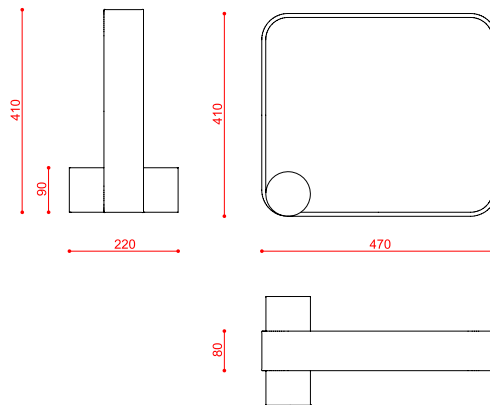
Note: Touch dimmer on board
110/120V version available on request.



CE IP40

code	voltage	nominal flux	dimmability	hardware finishes + cylinder	cable (cm)	dimensions (cm)	LED	€
563.32	220/240V	2000 lm	on board	all color combos (no M01)	150	H 41 x L 47	15W 2700K	669,00
563.32	220/240V	2000 lm	on board	all color combos + M01	150	H 41 x L 47	15W 2700K	1.012,00

Hardware	Cylinder	
		C22 Beige
		C23 Eggshell
		C25 Terracotta
		C26 Greenish-grey
		C74 Sand black
		C41 Brushed brass
		W01 Ash
		M01 Concrete



measurements in mm

NASTRO

563.41 Wall

Picture on page 210/211 of the catalogue

Design: Studiopepe

Description: The Nastro wall lamps sees an epoxy powder coated aluminum band structure accompanied by a cylindric weight that counterbalances its flexuosity, in a refined visual balance. The light source consists of a dimmable LED strip; the cylinders are available in epoxy powder coated metal, in wood, in brushed brass and in raw concrete or marble effect.

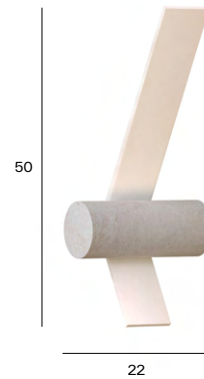
Materials: aluminum, brass, wood, concrete, metal

Mounting: Base: 6 x 6 cm included with bracket. Remote driver dimensions: H 2 x L 16 x W 4,5 cm. Light source: Integrated LED.

Nt. Wt.: 2,1 kg (+ 2 kg for M01)

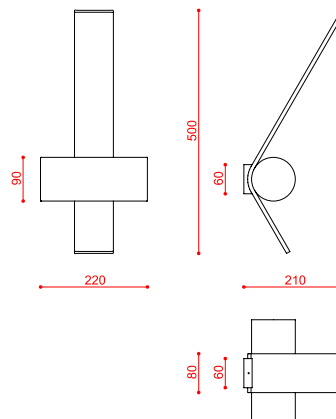
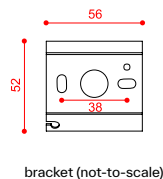
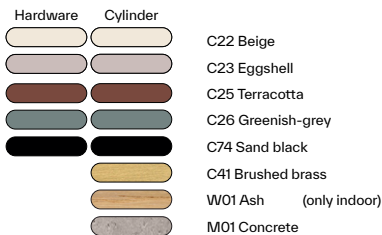
Class: Degree of protection IP40, insulation class 3.

Note: Remote driver included.
Installable upside down.
110/120V version available on request.
DALI version on request.



CE IP40

code	voltage	nominal flux	dimmability	hardware finishes + cylinder	cable (cm)	dimensions (cm)	LED	€
563.41	220/240V	1700 lm	phase cut	all color combos (no M01)	/	H 50 x D 21	13W 2700K	553,00
563.41	220/240V	1700 lm	phase cut	all color combos + M01	/	H 50 x D 21	13W 2700K	892,00
563.41 outdoor	220/240V	1700 lm	phase cut	all color combos (no W01/M01)	/	H 50 x D 21	13W 2700K	689,00
563.41 outdoor	220/240V	1700 lm	phase cut	all color combos + M01	/	H 50 x D 21	13W 2700K	961,00



measurements in mm

NASTRO

563.42 Wall

Picture on page 213 of the catalogue

Design: Studiopepe

Description: The Nastro wall lamps sees an epoxy powder coated aluminum band structure accompanied by a cylindric weight that counterbalances its flexuosity, in a refined visual balance. The light source consists of a dimmable LED strip; the cylinders are available in epoxy powder coated metal, in wood and in brushed brass.

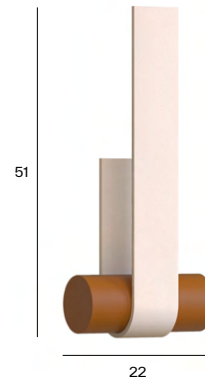
Materials: aluminum, brass, wood, metal

Mounting: Base: 18 x 6 cm included with bracket. Remote driver dimensions: H 2 x L 16 x W 4,5 cm. Light source: Integrated LED.

Nt. Wt.: 2,2 kg

Class: Degree of protection IP40, insulation class 3.

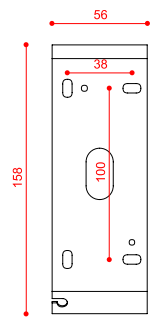
Note: Remote driver included.
110/120V version available on request.
DALI version on request.



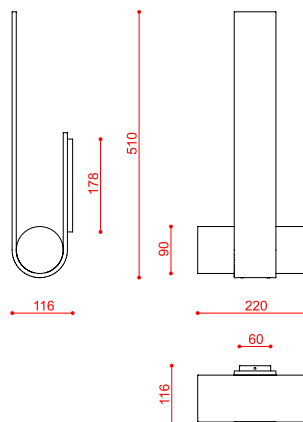
CE IP40

code	voltage	nominal flux	dimmability	hardware finishes + cylinder	cable (cm)	dimensions (cm)	LED	€
563.42	220/240V	2300 lm	phase cut	all color combos	/	H 51 x D 12	17W 2700K	571,00
563.42 outdoor	220/240V	2300 lm	phase cut	all color combos (no W01)	/	H 51 x D 12	17W 2700K	732,00

Hardware	Cylinder	
		C22 Beige
		C23 Eggshell
		C25 Terracotta
		C26 Greenish-grey
		C74 Sand black
		C41 Brushed brass
		W01 Ash (only indoor)



bracket (not-to-scale)



measurements in mm

NASTRO

563.43 Wall

Picture on page 207 of the catalogue

Design: Studiopepe

Description: The Nastro wall lamps sees an epoxy powder coated aluminum band structure accompanied by a cylindric weight that counterbalances its flexuosity, in a refined visual balance. The light source consists of a dimmable LED strip; the cylinders are available in epoxy powder coated metal, in wood, in brushed brass and in raw concrete or marble effect.

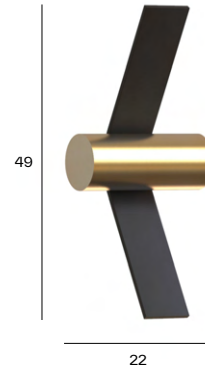
Materials: aluminum, brass, wood, concrete, metal

Mounting: Base: 6 x 6 cm included with bracket. Remote driver dimensions: H 2 x L 16 x W 4,5 cm. Light source: Integrated LED.

Nt. Wt.: 2,1 kg (+ 2 kg for M01)

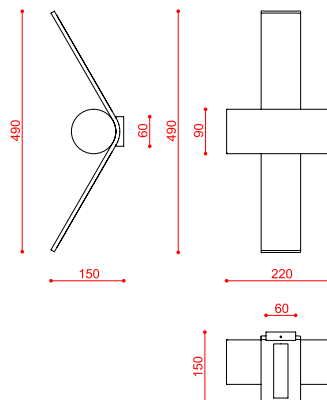
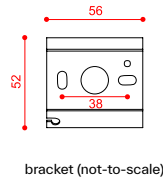
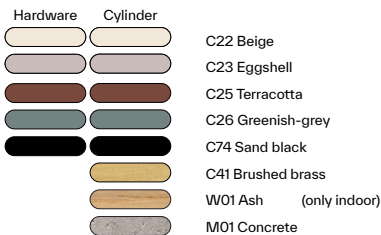
Class: Degree of protection IP40, insulation class 1.

Note: Remote driver included.
Installable horizontally.
110/120V version available on request.
DALI version on request.



CE IP40

code	voltage	nominal flux	dimmiability	hardware finishes + cylinder	cable (cm)	dimensions (cm)	LED	€
563.43	220/240V	2300 lm	phase cut	all color combos (no M01)	/	H 49 x D 15	17W 2700K	553,00
563.43	220/240V	2300 lm	phase cut	all color combos + M01	/	H 49 x D 15	17W 2700K	892,00
563.43 outdoor	220/240V	2300 lm	phase cut	all color combos (no W01/M01)	/	H 49 x D 15	17W 2700K	705,00
563.43 outdoor	220/240V	2300 lm	phase cut	all color combos + M01	/	H 49 x D 15	17W 2700K	964,00



measurements in mm

NASTRO

563.46 Wall

Design: Studiopepe

Description: The Nastro wall lamps sees an epoxy powder coated aluminum band structure accompanied by a cylindric weight that counterbalances its flexuosity, in a refined visual balance. The light source consists of a dimmable LED strip; the cylinders are available in epoxy powder coated metal, in wood and in brushed brass.

Materials: aluminum, brass, wood, metal

Mounting: Base: 50 x 7 cm included with bracket. Remote driver dimensions: H 2 x L 16 x W 4,5 cm. Light source: Integrated LED.

Nt. Wt.: 5 kg

Class: Degree of protection IP40, insulation class 3.

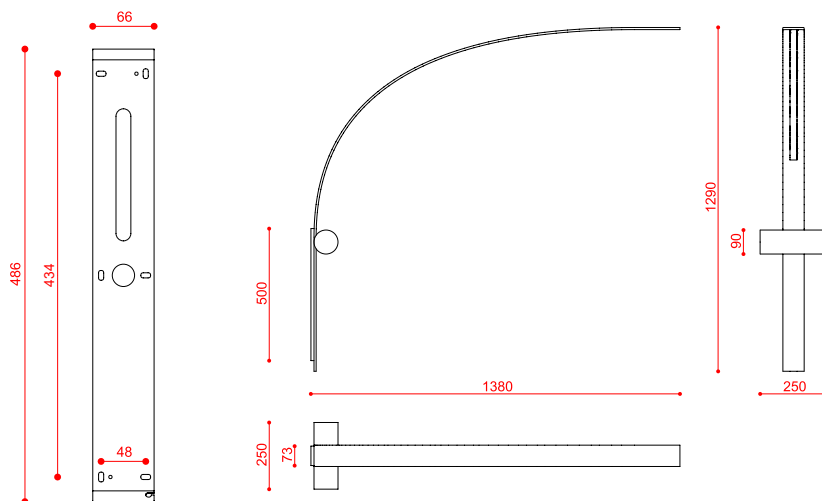
Note: Remote driver included.
110/120V version available on request.
DALI version on request.



CE IP40

code	voltage	nominal flux	dimmability	hardware finishes + cylinder	cable (cm)	dimensions (cm)	LED	€
563.46	220/240V	8300 lm	phase cut	all color combos	/	H 129 x D 138	63W 2700K	1.654,00

Hardware	Cylinder	
		C22 Beige
		C23 Eggshell
		C25 Terracotta
		C26 Greenish-grey
		C74 Sand black
		C41 Brushed brass
		W01 Ash



bracket (not-to-scale)

measurements in mm

NASTRO

563.47 Wall

Picture on page 209 of the catalogue

Design: Studiopepe

Description: The Nastro wall lamps sees an epoxy powder coated aluminum band structure accompanied by a cylindric weight that counterbalances its flexuosity, in a refined visual balance. The light source consists of a dimmable LED strip; the cylinders are available in epoxy powder coated metal, in wood and in brushed brass.

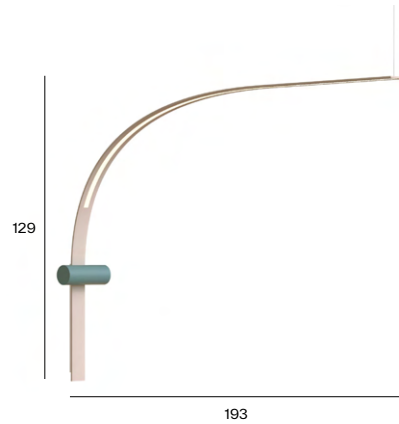
Materials: aluminum, brass, wood, metal

Mounting: Wall: 125 cm steel cable. Base: 50 x 7 cm included with bracket. Remote driver dimensions: H 2 x L 16 x W 4,5 cm. Light source: Integrated LED.

Nt. Wt.: 5,7 kg

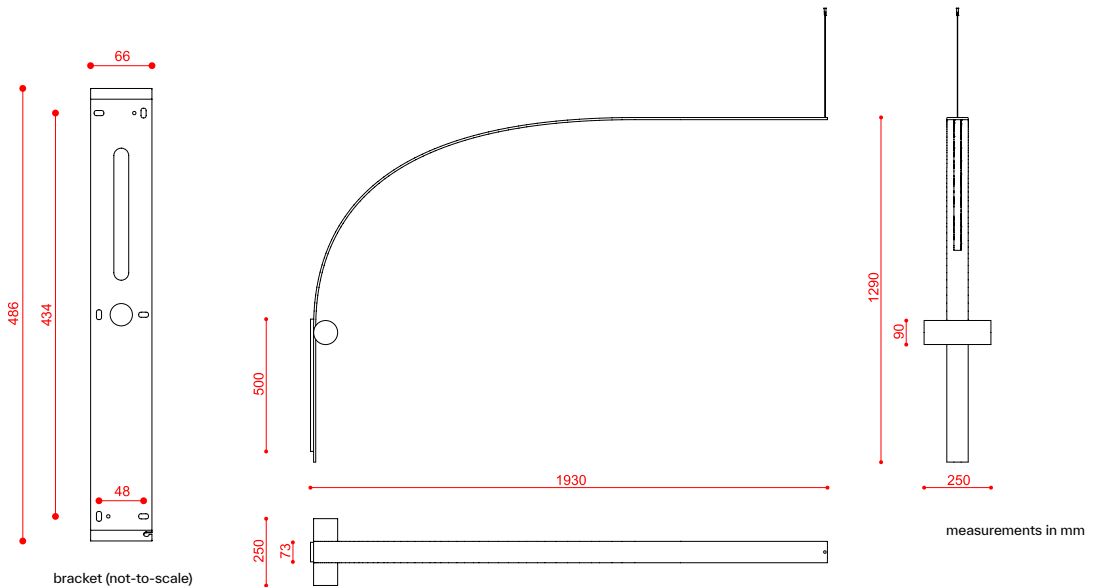
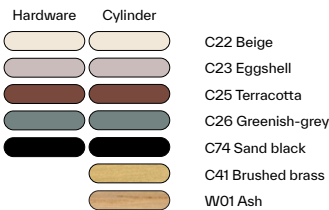
Class: Degree of protection IP40, insulation class 3.

Note: Remote driver included.
Custom steel cable length available.
110/120V version available on request.
DALI version on request.



CE IP40

code	voltage	nominal flux	dimmiability	hardware finishes + cylinder	cavo acciaio (cm)	dimensions (cm)	LED	€
563.47	220/240V	6000 lm	phase cut	all color combos	125	H 129 x D 193	43W 2700K	2.057,00



NASTRO

563.61 Floor

Picture on page 204/205 of the catalogue

Design: Studiopepe

Description: The Nastro floor lamps sees an epoxy powder coated aluminum band structure accompanied by a cylindric weight that counterbalances its flexuosity, in a refined visual balance. The light source consists of a dimmable LED strip; the cylinders are available in epoxy powder coated metal, in wood and in brushed brass.

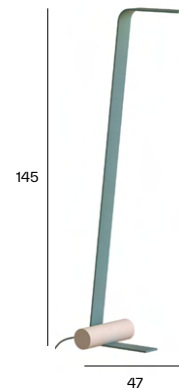
Materials: aluminum, brass, wood, metal

Mounting: Floor: cable length 300 cm. Plug: type C (EU). Dimmer: 80 cm from the base on black fabric cable. Light source: Integrated LED.

Nt. Wt.: 5,2 kg

Class: Degree of protection IP40, insulation class 2.

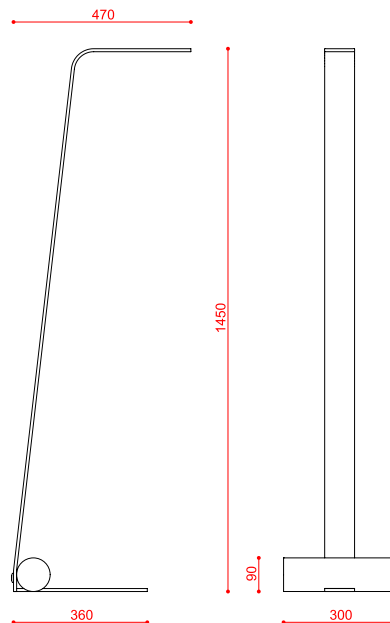
Note: 110/120V version available on request.



CE IP40

code	voltage	nominal flux	dimmbability	hardware finishes + cylinder	cable (cm)	dimensions (cm)	LED	€
563.61	220/240V	1100 lm	dimmer on cable	all color combos	300	H 145 x D 47	9W 2700K	1.209,00

Hardware	Cylinder	
		C22 Beige
		C23 Eggshell
		C25 Terracotta
		C26 Greenish-grey
		C74 Sand black
		C41 Brushed brass
		W01 Ash



measurements in mm

NASTRO

563.62 Floor

Picture on page 188/189/193 of the catalogue

Design: Studiopepe

Description: The Nastro floor lamps sees an epoxy powder coated aluminum band structure accompanied by a cylindric weight that counterbalances its flexuosity, in a refined visual balance. The light source consists of a dimmable LED strip; the cylinders are available in epoxy powder coated metal, in wood, in brushed brass and in raw concrete or marble effect.

Materials: aluminum, brass, wood, concrete, metal

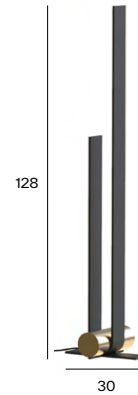
Mounting: Floor: cable length 300 cm. Plug: type C (EU). Dimmer: 80 cm from the base on black fabric cable. Light source: Integrated LED.

Nt. Wt.: 5,6 kg (+ 2 kg for M01)












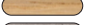

Class: Degree of protection IP40, insulation class 2.

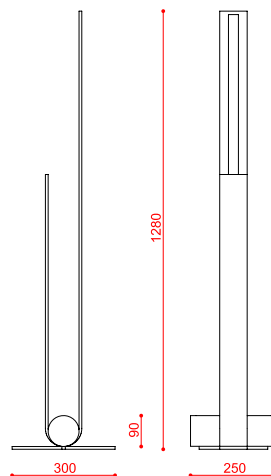
Note: IP44 outdoor version available.
110/120V version available on request.

CE  IP40



code	voltage	nominal flux	dimmability	hardware finishes + cylinder	cable (cm)	dimensions (cm)	LED	€
563.62	220/240V	4900 lm	dimmer on cable	all color combos (no M01)	300	H 128 x D 30	50W 2700K	1.310,00
563.62	220/240V	4900 lm	dimmer on cable	all color combos + M01	300	H 128 x D 30	50W 2700K	1.656,00

Hardware	Cylinder	
		C22 Beige
		C23 Eggshell
		C25 Terracotta
		C26 Greenish-grey
		C74 Sand black
		C41 Brushed brass
		W01 Ash
		M01 Concrete



measurements in mm

NASTRO

563.62L Floor

Picture on page 163/191 of the catalogue

Design: Studiopepe

Description: The Nastro floor lamps sees an epoxy powder coated aluminum band structure accompanied by a cylindric weight that counterbalances its flexuosity, in a refined visual balance. The light source consists of a dimmable LED strip; the cylinders are available in epoxy powder coated metal, in wood, in brushed brass and in raw concrete or marble effect.

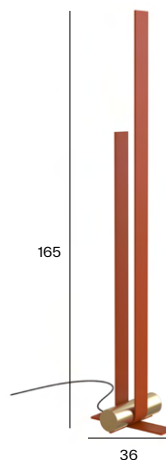
Materials: aluminum, brass, wood, concrete, metal

Mounting: Floor: cable length 300 cm. Plug: type C (EU). Dimmer: 80 cm from the base on black fabric cable. Light source: Integrated LED.

Nt. Wt.: 9 kg (+ 2 kg for M01)










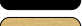

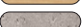

Class: Degree of protection IP40, insulation class 2.

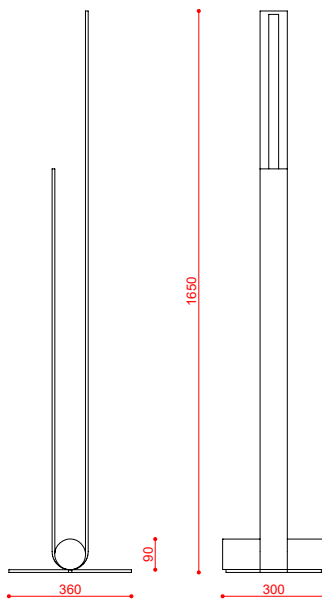
Note: IP44 outdoor version available.
110/120V version available on request.



CE  IP40

code	voltage	nominal flux	dimmability	hardware finishes + cylinder	cable (cm)	dimensions (cm)	LED	€
563.62L	220/240V	6150 lm	dimmer on cable	all color combos (no M01)	300	H 165 x D 36	68W 2700K	1.570,00
563.62L	220/240V	6150 lm	dimmer on cable	all color combos + M01	300	H 165 x D 36	68W 2700K	1.982,00

Hardware	Cylinder	
		C22 Beige
		C23 Eggshell
		C25 Terracotta
		C26 Greenish-grey
		C74 Sand black
		C41 Brushed brass
		W01 Ash
		M01 Concrete



measurements in mm

NASTRO

563.63 Floor

Design: Studiopepe

Description: The Nastro floor lamps sees an epoxy powder coated aluminum band structure accompanied by a cylindric weight that counterbalances its flexuosity, in a refined visual balance. The light source consists of a dimmable LED strip; the cylinders are available in epoxy powder coated metal, in wood and in brushed brass.

Materials: aluminum, brass, wood, metal

Mounting: Floor: cable length 300 cm. Plug: type C (EU). Dimmer: 80 cm from the base on black fabric cable. Light source: Integrated LED.

Nt. Wt.: 8,5 kg

Class: Degree of protection IP40, insulation class2.

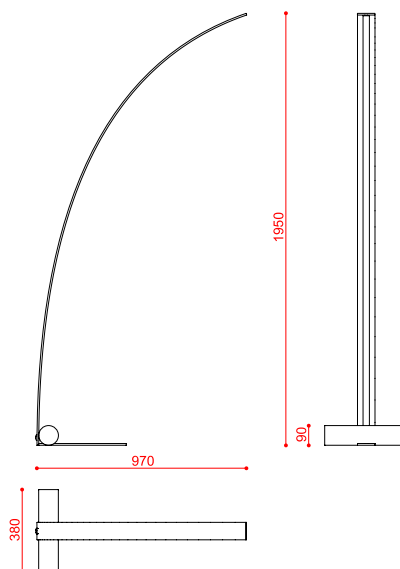
Note: 110/120V version available on request.



CE IP40

code	voltage	nominal flux	dimmiability	hardware finishes + cylinder	cable (cm)	dimensions (cm)	LED	€
563.63	220/240V	6900 lm	dimmer on cable	all color combos	300	H 195 x D 97	49W 2700K	2.043,00

Hardware	Cylinder	
		C22 Beige
		C23 Eggshell
		C25 Terracotta
		C26 Greenish-grey
		C74 Sand black
		C41 Brushed brass
		W01 Ash



measurements in mm

NASTRO

563.64 Floor

Picture on page 200/202 of the catalogue

Design: Studiopepe

Description: The Nastro floor lamps sees an epoxy powder coated aluminum band structure accompanied by a cylindric weight that counterbalances its flexuosity, in a refined visual balance. The light source consists of a dimmable LED strip; the cylinders are available in epoxy powder coated metal, in wood and in brushed brass.

Materials: aluminum, brass, wood, metal

Mounting: Floor: cable length 300 cm. Plug: type C (EU). Dimmer: 80 cm from the base on black fabric cable. Light source: Integrated LED.

Nt. Wt.: 10 kg

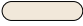
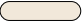








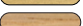

Class: Degree of protection IP40, insulation class 2.

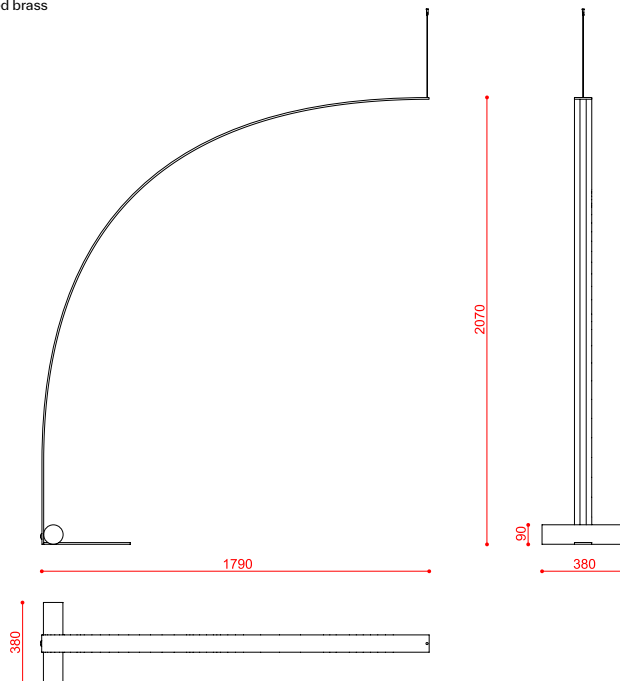
Note: Custom steel cable length available.
110/120V version available on request.



CE  IP40

code	voltage	nominal flux	dimmability	hardware finishes + cylinder	cable (cm)	dimensions (cm)	LED	€
563.64	220/240V	9500 lm	dimmer on cable	all color combos	300	H 207 x D 179	67W 2700K	2.619,00

Hardware	Cylinder	
		C22 Beige
		C23 Eggshell
		C25 Terracotta
		C26 Greenish-grey
		C74 Sand black
		C41 Brushed brass
		W01 Ash



measurements in mm

NASTRO

563.12 Pendant

Picture on page 166/167/168/169 of the catalogue

Design: Studiopepe

Description: The famous Nastro family composed of pendant, wall, floor and table lamps, designed by Studiopepe, sees two new important interpretations. These interpretations move in the wake of an aesthetic based on the balance of a cylindrical weight in a band structure made of aluminium and painted with epoxy powder. The system therefore includes a new scenography; a suspension characterized by the positioning of the light sources within closed circular bands, and a new table lamp with a double guise: portable or fixed.

Materials: metal, aluminum, brass

Mounting: Pendant: 125 cm steel cable, electric cable length 150 cm. Canopy: 26x7x3 cm included with bracket. Light source: Integrated LED.

Nt. Wt.: 5 kg

Class: Degree of protection IP40, insulation class 1.

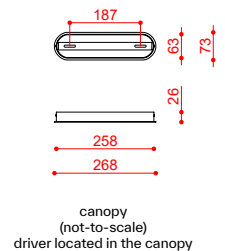
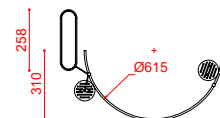
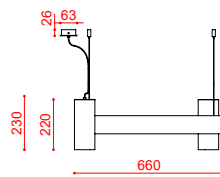
Note: Driver on board.
Decentralized canopy.
DALI version on request.
110/120V version available on request.



CE IP40

code	voltage	nominal flux	dimmability	hardware finishes + cylinder	cable (cm)	dimensions (cm)	LED	€
563.12	220/240V	2600 lm	phase cut	all color combos	125	H23 x L66 x W31	2 x 9W 2700K	882,00

Hardware	Cylinder	
		C22 Beige
		C23 Eggshell
		C25 Terracotta
		C26 Greenish-grey
		C74 Sand black
		C41 Brushed brass



measurements in mm

NASTRO

563.13 Pendant

Design: Studiopepe

Description: The famous Nastro family composed of pendant, wall, floor and table lamps, designed by Studiopepe, sees two new important interpretations. These interpretations move in the wake of an aesthetic based on the balance of a cylindrical weight in a band structure made of aluminium and painted with epoxy powder. The system therefore includes a new scenography; a suspension characterized by the positioning of the light sources within closed circular bands, and a new table lamp with a double guise: portable or fixed.

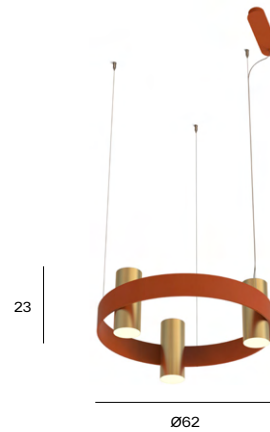
Materials: metal, aluminum, brass

Mounting: Pendant: 125 cm steel cable, electric cable length 150 cm. Canopy: 26x7x3 cm included with bracket. Light source: Integrated LED.

Nt. Wt.: 7 kg

Class: Degree of protection IP40, insulation class 1.

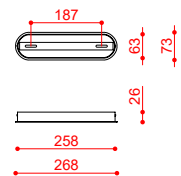
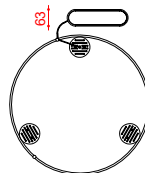
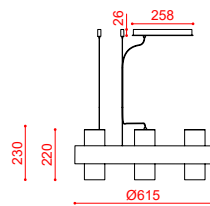
Note: Driver on board.
Decentralized canopy.
DALI version on request.
110/120V version available on request.



CE IP40

code	voltage	nominal flux	dimmability	hardware finishes + cylinder	cable (cm)	dimensions (cm)	LED	€
563.13	220/240V	4000 lm	phase cut	all color combos	125	H 23 x Ø 62	3 x 9W 2700K	1.375,00

Hardware	Cylinder	
		C22 Beige
		C23 Eggshell
		C25 Terracotta
		C26 Greenish-grey
		C74 Sand black
		C41 Brushed brass



canopy
(not-to-scale)
driver located in the canopy

measurements in mm

NASTRO

563.14 Pendant

Picture on page 170 of the catalogue

Design: Studiopepe

Description: The famous Nastro family composed of pendant, wall, floor and table lamps, designed by Studiopepe, sees two new important interpretations. These interpretations move in the wake of an aesthetic based on the balance of a cylindrical weight in a band structure made of aluminium and painted with epoxy powder. The system therefore includes a new scenography; a suspension characterized by the positioning of the light sources within closed circular bands, and a new table lamp with a double guise: portable or fixed.

Materials: metal, aluminum, brass, steel

Mounting: Pendant: 125 cm steel cable, electric cable length 150 cm. Canopy: 26x7x4 cm included with bracket. Light source: Integrated LED.

Nt. Wt.: 10,5 Kg

Class: Degree of protection IP40, insulation class 1.

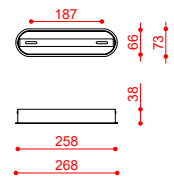
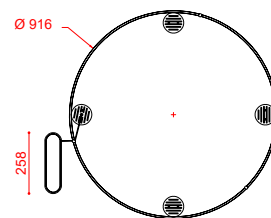
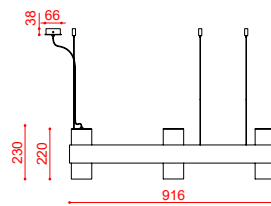
Note: Driver on board.
Decentralized canopy.
DALI version on request.
110/120V version available on request.



CE IP40

code	voltage	nominal flux	dimmability	hardware finishes + cylinder	cable (cm)	dimensions (cm)	LED	€
563.14	220/240V	4000 lm	phase cut	all color combos	125	H 23 x Ø 92	3 x 9W 2700K	1.970,00

Hardware	Cylinder	
		C22 Beige
		C23 Eggshell
		C25 Terracotta
		C26 Greenish-grey
		C74 Sand black
		C41 Brushed brass



canopy
(not-to-scale)
driver located in the canopy

measurements in mm

NASTRO

563.16 Chandelier

Design: Studiopepe

Description: The famous Nastro family composed of pendant, wall, floor and table lamps, designed by Studiopepe, sees two new important interpretations. These interpretations move in the wake of an aesthetic based on the balance of a cylindrical weight in a band structure made of aluminium and painted with epoxy powder. The system therefore includes a new scenography; a suspension characterized by the positioning of the light sources within closed circular bands, and a new table lamp with a double guise: portable or fixed.

Materials: metal, aluminum, brass

Mounting: Pendant: 125 cm steel cable, electric cable length 150 cm.
Canopy: 26x7x4 cm included with bracket. Light source: Integrated LED.

Nt. Wt.: 15,5 kg

Class: Degree of protection IP40, insulation class 1.

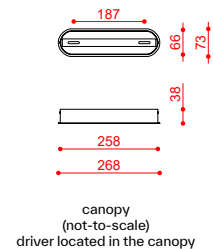
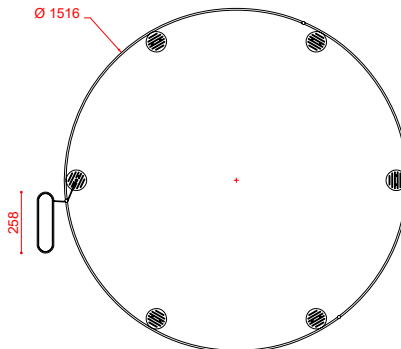
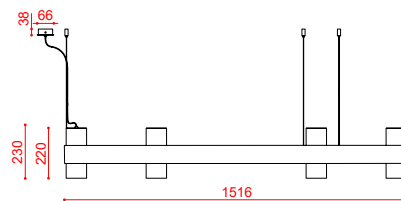
Note: Driver on board.
Decentralized canopy.
DALI version on request.
110/120V version available on request.



CE IP40

code	voltage	nominal flux	dimmability	hardware finishes + cylinder	cable (cm)	dimensions (cm)	LED	€
563.16	220/240V	8000 lm	phase cut	all color combos	125	H 23 x Ø 152	6 x 9W 2700K	2.930,00

Hardware	Cylinder	
		C22 Beige
		C23 Eggshell
		C25 Terracotta
		C26 Greenish-grey
		C74 Sand black
		C41 Brushed brass



measurements in mm

NASTRO

Design: Studiopepe

Description: The famous Nastro family composed of pendant, wall, floor and table lamps, designed by Studiopepe, sees two new important interpretations. These interpretations move in the wake of an aesthetic based on the balance of a cylindrical weight in a band structure made of aluminium and painted with epoxy powder. The system therefore includes a new scenography; a suspension characterized by the positioning of the light sources within closed circular bands, and a new table lamp with a double guise: portable or fixed.

Materials: aluminum, brass, steel

Mounting: Pendant: 125 cm steel cable, electric cable length 150 cm. Canopy: 30x8x4 cm included with bracket. Cables adjustable on site. Light source: Integrated LED.

Nt. Wt.: 20,5 kg

Class: Degree of protection IP40, insulation class 1.

Note: Driver on board.
Decentralized canopy.
DALI version on request.
110/120V version available on request.

563.19 Chandelier

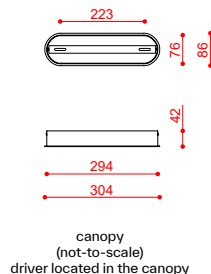
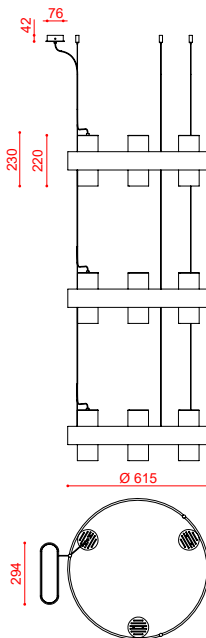
Picture on page 17/165 of the catalogue



CE IP40

code	voltage	nominal flux	dimmbability	hardware finishes + cylinder	cable (cm)	dimensions (cm)	LED	€
563.19	220/240V	12000 lm	phase cut	all color combos	400	min H 100 x Ø 62	9 x 9W 2700K	4.090,00

Hardware	Cylinder	
		C22 Beige
		C23 Eggshell
		C25 Terracotta
		C26 Greenish-grey
		C74 Sand black
		C41 Brushed brass



measurements in mm

NASTRO

563.11 Pendant

Picture on page 198/199 of the catalogue

Design: Studiopepe

Description: The suspension sees an epoxy powder coated aluminum band structure accompanied by a cylindric weight that counterbalances its flexuosity, in a refined visual balance. The light source consists of a LED bulb; the cylinders are available in epoxy powder coated metal and in brushed brass.

Materials: aluminum, brass, metal

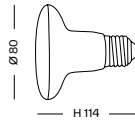
Mounting: Pendant: cable length 150 cm. Canopy: Ø 13 cm included with bracket. Adjustable direct light: 200°. Light source: E27 bulb.

Nt. Wt.: 2,8 kg

Class: Degree of protection IP20, insulation class 1.

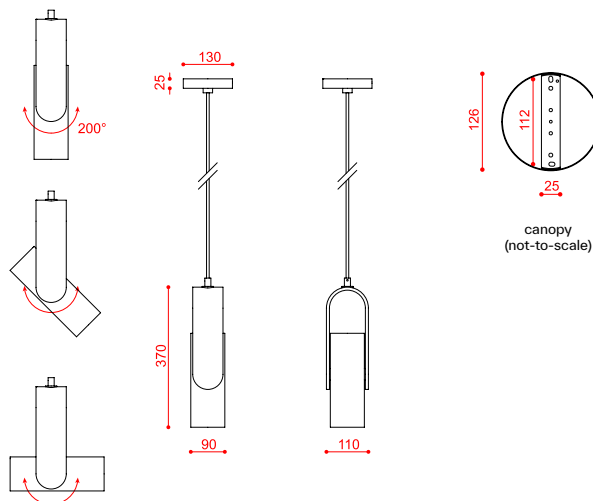
Note: 110/120V version available on request.
Max dimensions bulb (excluded):

CE IP20



code	voltage	nominal flux	dimmiability	hardware finishes + cylinder	cable (cm)	dimensions (cm)	recommended LED bulb	€
563.11	220/240V	/	according to bulb	all color combos	150	H 37 x Ø 9	1 x E27 R80 12W	535,00

Hardware	Cylinder	
		C22 Beige
		C23 Eggshell
		C25 Terracotta
		C26 Greenish-grey
		C74 Sand black
		C41 Brushed brass



measurements in mm

NASTRO

563.33 Table

Picture on page 181 of the catalogue

Design: Studiopepe

Description: The famous Nastro family composed of pendant, wall, floor and table lamps, designed by Studiopepe, sees two new important interpretations. These interpretations move in the wake of an aesthetic based on the balance of a cylindrical weight in a band structure made of aluminium and painted with epoxy powder. The system therefore includes a new scenography; a suspension characterized by the positioning of the light sources within closed circular bands, and a new table lamp with a double guise: portable or fixed.

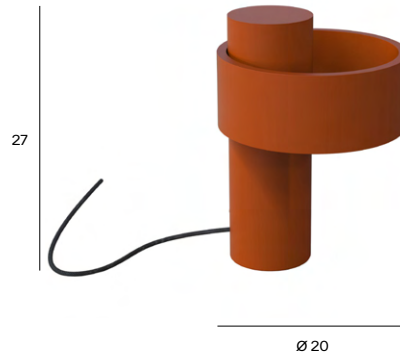
Materials: aluminum

Mounting: Table: cable length 150 cm. Plug: type C (EU). Switch on: touch dimmer on the structure. Light source: Integrated LED.

Nt. Wt.: 2,3 kg

Class: Degree of protection IP40, insulation class 2.






Note: Available in 110/120V.
Two-colour combination available on request.

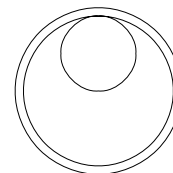
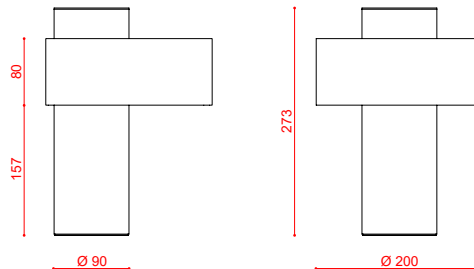


CE IP40

code	voltage	nominal flux	dimmiability	hardware finishes + cylinder	cable (cm)	dimensions (cm)	LED	€
563.33	220/240V	570 lm	integrated	all color combos	150	H 27 - Ø20	7,7W 2700K	260,00

Hardware

-  C22 Beige
-  C23 Eggshell
-  C25 Terracotta
-  C26 Greenish-grey
-  C74 Sand black



measurements in mm

NASTRO

563.34 Portable Table

Picture on page 174/177/178/214 of the catalogue

Design: Studiopepe

Description: The famous Nastro family composed of pendant, wall, floor and table lamps, designed by Studiopepe, sees two new important interpretations. These interpretations move in the wake of an aesthetic based on the balance of a cylindrical weight in a band structure made of aluminium and painted with epoxy powder. The system therefore includes a new scenography; a suspension characterized by the positioning of the light sources within closed circular bands, and a new table lamp with a double guise: portable or fixed.

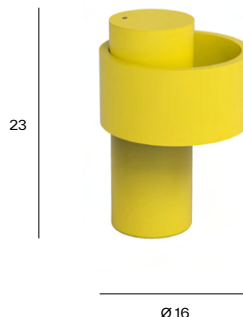
Materials: aluminum

Mounting: USB type C, Charging cable included, USB power supply 5Vdc not included. Light source: Integrated LED.

Nt. Wt.: 2,1 kg

Class: Degree of protection IP54, insulation class 3.

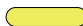






Note: 6,5h battery life
On/off and dimming command with Gesture Sensor.
Gift packaging included.

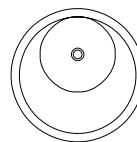
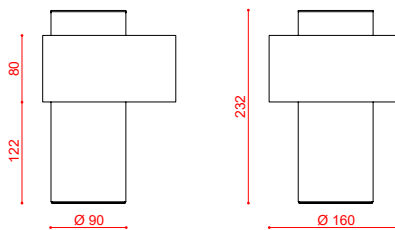


CE IP54

code	voltage	nominal flux	dimmiability	hardware finishes + cylinder	cable (cm)	dimensions (cm)	LED	€
563.34	5 V	320 lm	gesture sensor	all color combos	/	H 23 - Ø16	3W 2700K	320,00

Hardware

-  C3 Yellow lemon
-  C9 Mint green
-  C22 Beige
-  C23 Eggshell
-  C25 Terracotta
-  C26 Greenish-grey
-  C74 Sand black



measurements in mm

OSMAN

560.12 Chandelier

Design: Corrado Dotti

Description: Family of lamps with a rational design enriched by precious metallic details and double-wall cylindrical diffusers that give a fascinating and harmonious light diffusion. The particular orthogonal structure and the well-balanced proportions give these lamps a strong avantgarde sign while maintaining a formal, familiar and refined appearance.

Materials: metal, brass, glass

Mounting: Chandelier: 60/90 cm stems included (adjusted on site).
Canopy: Ø 13 cm included with bracket. Light source: E14 bulb.

Nt. Wt.: 7,6 kg

Class: Degree of protection IP20, insulation class 1.

Note: Custom stem on request (35 cm min.).
Black fabric cable version on request.
Custom canopy on request.
Sloped ceiling canopy on request.
110/120V version available on request.
Max dimensions bulb (excluded):

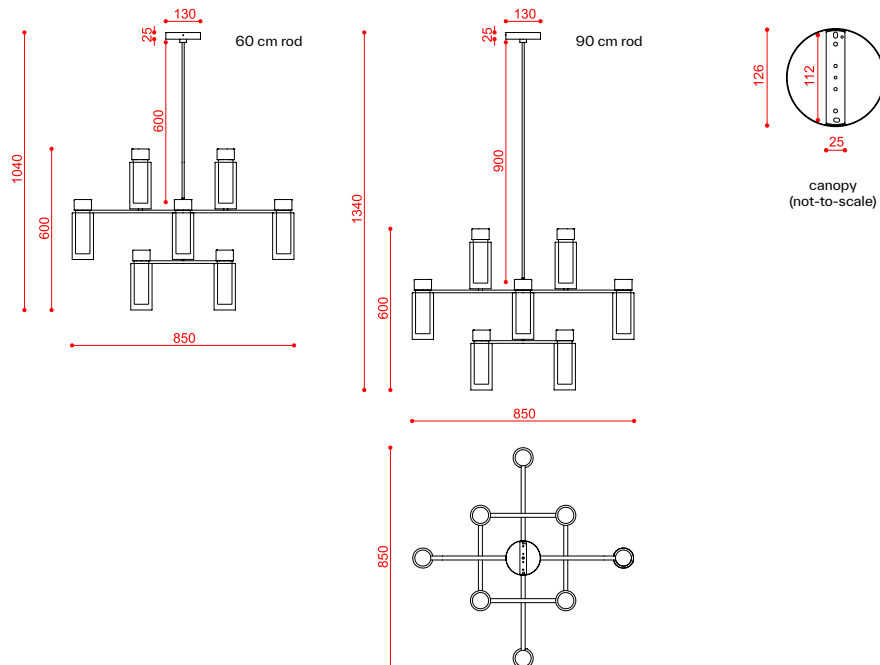


CE IP20

code	voltage	nominal flux	dimmability	finishes	stem included (cm) adj. on site	dimensions (cm)	recommended LED bulb	€
560.12	220/240V	/	according to bulb	C2 + C41 + clear	60/90	H 60 x Ø 85	12 x E14 8W 500 lm	2.291,00
560.12	220/240V	/	according to bulb	C2 + C48 + smoke	60/90	H 60 x Ø 85	12 x E14 8W 500 lm	2.750,00



C2 Matte black + C41 Brushed brass + Clear glass
C2 Matte black + C48 Black chrome + Smoke glass



OSMAN

560.16 Chandelier

Picture on page 227 of the catalogue

Design: Corrado Dotti

Description: Family of lamps with a rational design enriched by precious metallic details and double-wall cylindrical diffusers that give a fascinating and harmonious light diffusion. The particular orthogonal structure and the well-balanced proportions give these lamps a strong avantgarde sign while maintaining a formal, familiar and refined appearance.

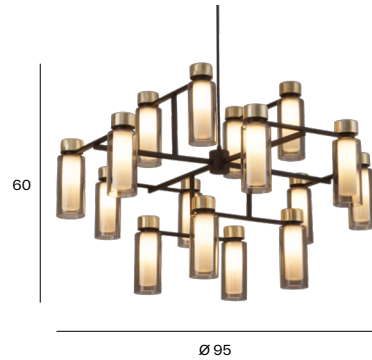
Materials: metal, brass, glass

Mounting: Chandelier: 60/90 cm stems included (adjusted on site). Canopy: Ø 13 cm included with bracket. Light source: E14 bulb.

Nt. Wt.: 11,3 kg

Class: Degree of protection IP20, insulation class 1.

Note: Custom stem on request (35 cm min.).
Black fabric cable version on request.
Custom canopy on request.
Sloped ceiling canopy on request.
110/120V version available on request.
Max dimensions bulb (excluded):

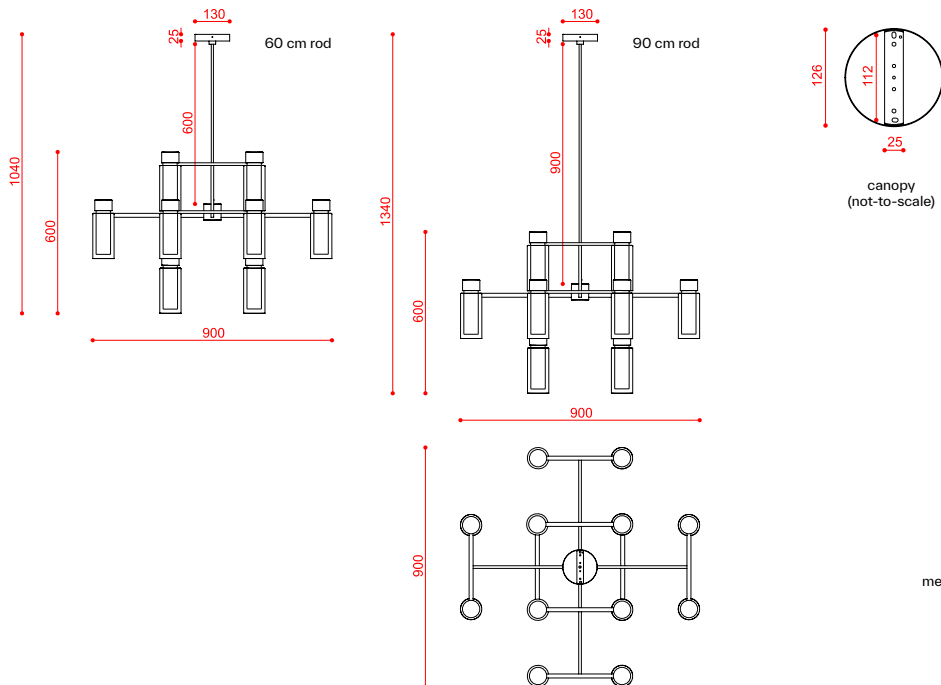


CE IP20

code	voltage	nominal flux	dimmability	finishes	stem included (cm) adj. on site	dimensions (cm)	recommended LED bulb	€
560.16	220/240V	/	according to bulb	C2 + C41 + clear	60/90	H 60 x Ø 95	16 x E14 8W 500 lm	2.935,00
560.16	220/240V	/	according to bulb	C2 + C48 + smoke	60/90	H 60 x Ø 95	16 x E14 8W 500 lm	3.523,00



C2 Matte black + C41 Brushed brass + Clear glass
C2 Matte black + C48 Black chrome + Smoke glass



OSMAN

560.17 Chandelier

Picture on page 230 of the catalogue

Design: Corrado Dotti

Description: Family of lamps with a rational design enriched by precious metallic details and double-wall cylindrical diffusers that give a fascinating and harmonious light diffusion. The particular orthogonal structure and the well-balanced proportions give these lamps a strong avantgarde sign while maintaining a formal, familiar and refined appearance.

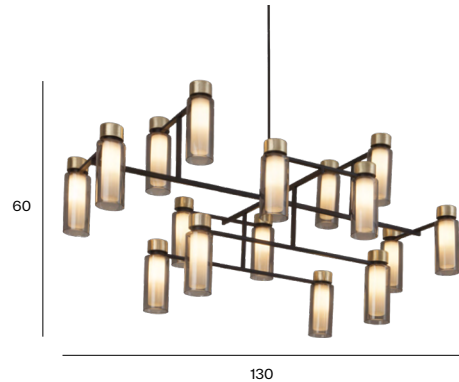
Materials: metal, brass, glass

Mounting: Chandelier: 60/90 cm stems included (adjusted on site). Canopy: Ø 13 cm included with bracket. Light source: E14 bulb.

Nt. Wt.: 11,7 kg

Class: Degree of protection IP20, insulation class 1.

Note: Custom stem on request (35 cm min.).
Black fabric cable version on request.
Custom canopy on request.
Sloped ceiling canopy on request.
110/120V version available on request.
Max dimensions bulb (excluded):

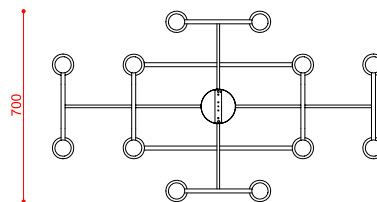
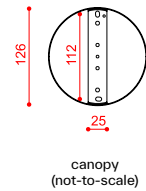
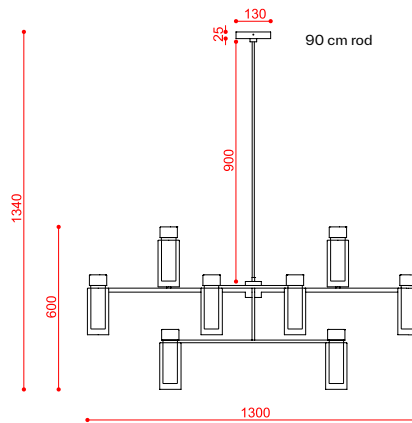
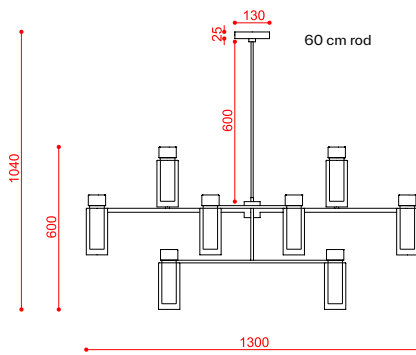


CE IP20

code	voltage	nominal flux	dimmability	finishes	stem included (cm) adj. on site	dimensions (cm)	recommended LED bulb	€
560.17	220/240V	/	according to bulb	C2 + C41 + clear	60/90	H 60 x L 130	16 x E14 8W 500 lm	3.252,00
560.17	220/240V	/	according to bulb	C2 + C48 + smoke	60/90	H 60 x L 130	16 x E14 8W 500 lm	3.902,00



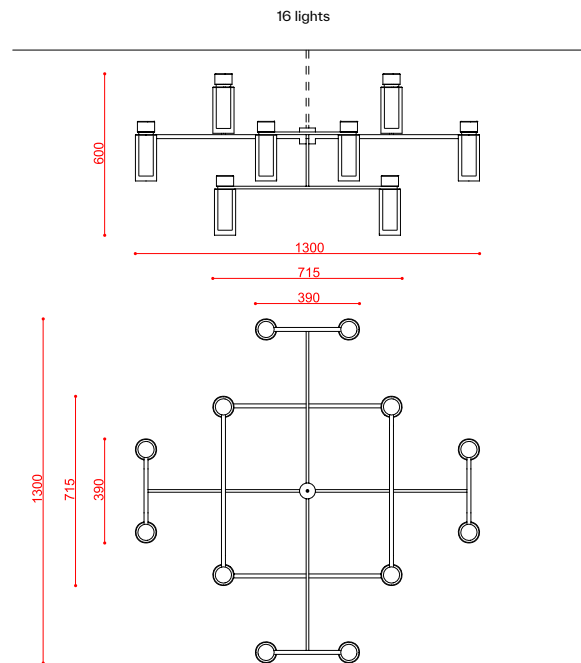
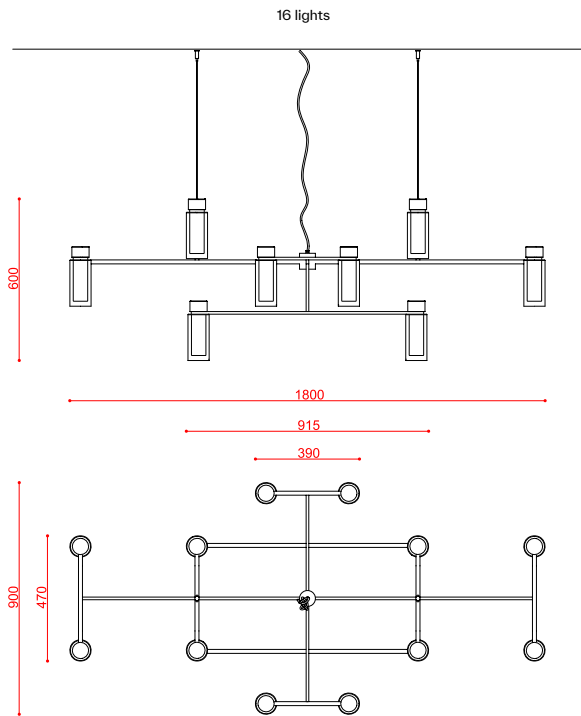
C2 Matte black + C41 Brushed brass + Clear glass
C2 Matte black + C48 Black chrome + Smoke glass



measurements in mm

Suggested application

OSMAN Chandelier



OSMAN

560.21 Pendant

Picture on page 225 of the catalogue

Design: Corrado Dotti

Description: Family of lamps with a rational design enriched by precious metallic details and double-wall cylindrical diffusers that give a fascinating and harmonious light diffusion. The particular orthogonal structure and the well-balanced proportions give these lamps a strong avantgarde sign while maintaining a formal, familiar and refined appearance.

Materials: metal, brass, glass

Mounting: Canopy: Ø 13 cm included with bracket. Light source: E14 bulb.

Nt. Wt.: 1 kg

Class: Degree of protection IP20, insulation class 1.

Note: Custom canopy on request.
110/120V version available on request.
Max dimensions bulb (excluded):



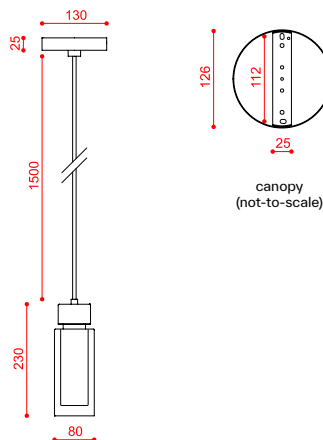
CE IP20



code	voltage	nominal flux	dimmiability	finishes	cable (cm)	dimensions (cm)	recommended LED bulb	€
560.21	220/240V	/	according to bulb	C2 + C41 + clear	150	H 23 x Ø 8	1 x E14 8W 500 lm	227,00
560.21	220/240V	/	according to bulb	C2 + C48 + smoke	150	H 23 x Ø 8	1 x E14 8W 500 lm	273,00



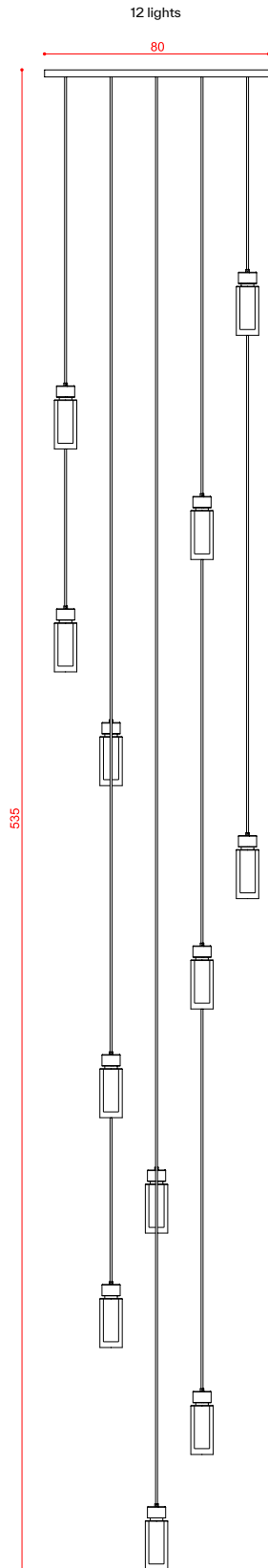
C2 Matte black + C41 Brushed brass + Clear glass
C2 Matte black + C48 Black chrome + Smoke glass



measurements in mm

Suggested application

OSMAN Pendant



OSMAN

560.31 Side Table

Picture on page 66/231 of the catalogue

Design: Corrado Dotti

Description: Family of lamps with a rational design enriched by precious metallic details and double-wall cylindrical diffusers that give a fascinating and harmonious light diffusion. The particular orthogonal structure and the well-balanced proportions give these lamps a strong avantgarde sign while maintaining a formal, familiar and refined appearance.

Materials: metal, brass, glass

Mounting: Table: cable length 150 cm. . Plug: type C (EU). On/off switch: 50 cm from the base on black fabric cable. Light source: E14 bulb.

Nt. Wt.: 1,5 kg

Class: Degree of protection IP20, insulation class 2.

Note: Dimmer version available.
110/120V version available on request.
Max dimensions bulb (excluded):



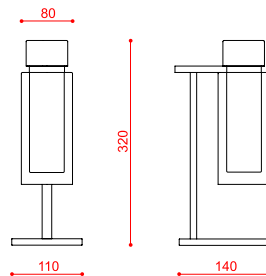
CE IP20



code	voltage	nominal flux	dimmiability	finishes	cable (cm)	dimensions (cm)	recommended LED bulb	€
560.31	220/240V	/	/	C2 + C41 + clear	150	H 32 x L 14	1 x E14 8W 500 lm	296,00
560.31	220/240V	/	/	C2 + C48 + smoke	150	H 32 x L 14	1 x E14 8W 500 lm	357,00



C2 Matte black + C41 Brushed brass + Clear glass
C2 Matte black + C48 Black chrome + Smoke glass



measurements in mm

OSMAN

560.34 Table

Picture on page 232 of the catalogue

Design: Corrado Dotti

Description: Family of lamps with a rational design enriched by precious metallic details and double-wall cylindrical diffusers that give a fascinating and harmonious light diffusion. The particular orthogonal structure and the well-balanced proportions give these lamps a strong avantgarde sign while maintaining a formal, familiar and refined appearance.

Materials: metal, brass, glass

Mounting: Table: cable length 150 cm. Plug: type F (Schuko). On/off switch: 50 cm from the base on black fabric cable. Light source: E14 bulb.

Nt. Wt.: 4,7 kg

Class: Degree of protection IP20, insulation class 1.

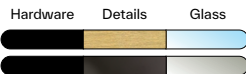
Note: Dimmer version available on request.
110/120V version available on request.
Max dimensions bulb (excluded):



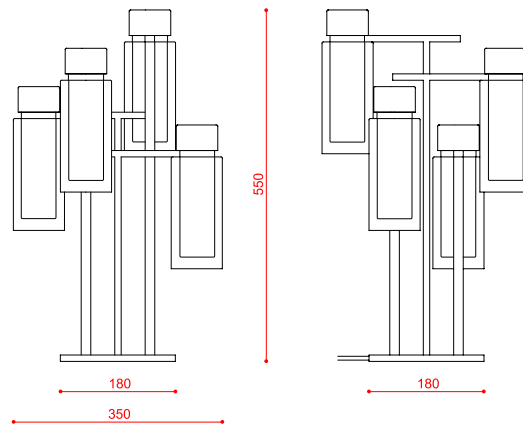
CE IP20



code	voltage	nominal flux	dimmability	finishes	cable (cm)	dimensions (cm)	recommended LED bulb	€
560.34	220/240V	/	/	C2 + C41 + clear	150	H 55 x Ø 35	4 x E14 8W 500 lm	904,00
560.34	220/240V	/	/	C2 + C48 + smoke	150	H 55 x Ø 35	4 x E14 8W 500 lm	1.085,00



C2 Matte black + C41 Brushed brass + Clear glass
C2 Matte black + C48 Black chrome + Smoke glass



measurements in mm

Design: Corrado Dotti

Description: Family of lamps with a rational design enriched by precious metallic details and double-wall cylindrical diffusers that give a fascinating and harmonious light diffusion. The particular orthogonal structure and the well-balanced proportions give these lamps a strong avantgarde sign while maintaining a formal, familiar and refined appearance.

Materials: metal, brass, glass

Mounting: Base: 6 x 6 cm included with bracket. Light source: E14 bulb.

Nt. Wt.: 0,8 kg

Class: Degree of protection IP20, insulation class 1.

Note: Custom base on request.
Recessed base available (560.45).
110/120V version available on request.
Max dimensions bulb (excluded):

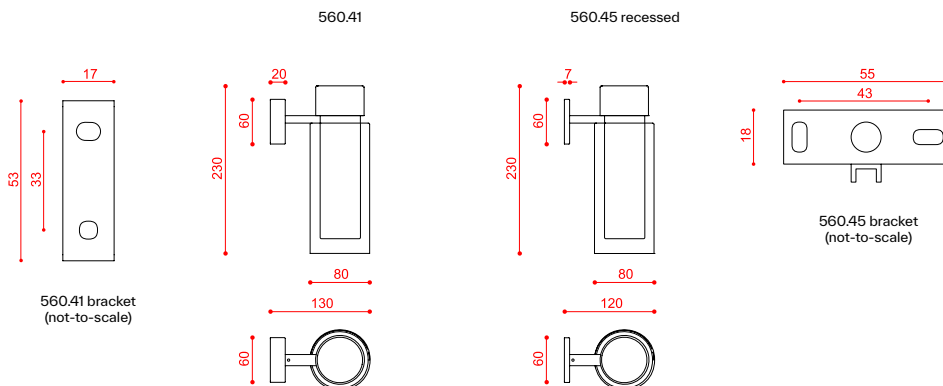


CE IP20

code	voltage	nominal flux	dimmiability	finishes	cable (cm)	dimensions (cm)	recommended LED bulb	€
560.41 560.45 rec.	220/240V	/	according to bulb	C2 + C41 + clear	/	H 23 x D 13 H 23 x D 12	1 x E14 8W 500 lm	216,00
560.41 560.45 rec.	220/240V	/	according to bulb	C2 + C48 + smoke	/	H 23 x D 13 H 23 x D 12	1 x E14 8W 500 lm	259,00



C2 Matte black + C41 Brushed brass + Clear glass
C2 Matte black + C48 Black chrome + Smoke glass



measurements in mm

OSMAN

560.42 Wall

Picture on page 226 of the catalogue

Design: Corrado Dotti

Description: Family of lamps with a rational design enriched by precious metallic details and double-wall cylindrical diffusers that give a fascinating and harmonious light diffusion. The particular orthogonal structure and the well-balanced proportions give these lamps a strong avantgarde sign while maintaining a formal, familiar and refined appearance.

Materials: metal, brass, glass

Mounting: Base: 6 x 20 cm included with bracket. Light source: E14 bulb.

Nt. Wt.: 1,1 kg

Class: Degree of protection IP20, insulation class 1.

Note: Custom base on request.
Recessed base available (560.46).
110/120V version available on request.
Max dimensions bulb (excluded):

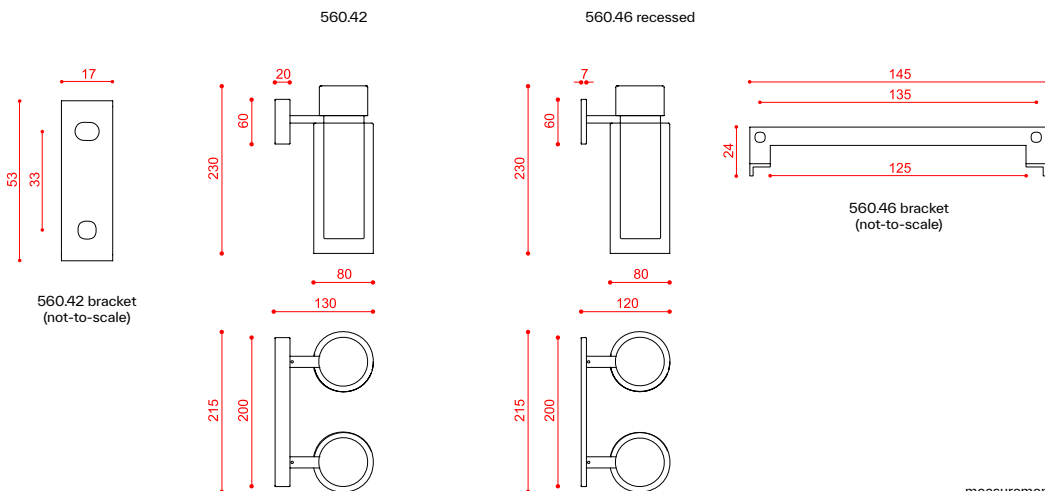


CE IP20

code	voltage	nominal flux	dimmability	finishes	cable (cm)	dimensions (cm)	recommended LED bulb	€
560.42 560.46 rec.	220/240V	/	according to bulb	C2 + C41 + clear	/	H 23 x D 13 H 23 x D 12	2 x E14 8W 500 lm	444,00
560.42 560.46 rec.	220/240V	/	according to bulb	C2 + C48 + smoke	/	H 23 x D 13 H 23 x D 12	2 x E14 8W 500 lm	534,00



C2 Matte black + C41 Brushed brass + Clear glass
C2 Matte black + C48 Black chrome + Smoke glass



OSMAN

560.61 Floor

Design: Corrado Dotti

Description: Family of lamps with a rational design enriched by precious metallic details and double-wall cylindrical diffusers that give a fascinating and harmonious light diffusion. The particular orthogonal structure and the well-balanced proportions give these lamps a strong avantgarde sign while maintaining a formal, familiar and refined appearance.

Materials: metal, brass, glass

Mounting: Floor: cable length 300 cm. Plug: type C (EU). On/off switch: 80 cm from the base on black fabric cable. Light source: E14 bulb.

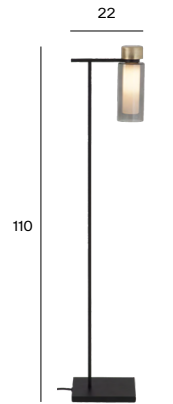
Nt. Wt.: 2,8 kg

Class: Degree of protection IP20, insulation class 2.

Note: Dimmer version available on request.
110/120V version available on request.
Max dimensions bulb (excluded):



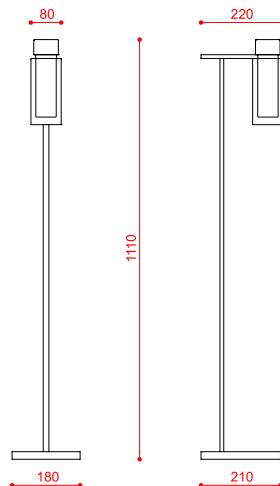
CE IP20



code	voltage	nominal flux	dimmability	finishes	cable (cm)	dimensions (cm)	recommended LED bulb	€
560.61	220/240V	/	/	C2 + C41 + clear	300	H 110 x L 22	1 x E14 8W 500 lm	526,00
560.61	220/240V	/	/	C2 + C48 + smoke	300	H 110 x L 22	1 x E14 8W 500 lm	632,00



C2 Matte black + C41 Brushed brass + Clear glass
C2 Matte black + C48 Black chrome + Smoke glass



measurements in mm

OSMAN

560.64 Floor

Picture on page 26/229 of the catalogue

Design: Corrado Dotti

Description: Family of lamps with a rational design enriched by precious metallic details and double-wall cylindrical diffusers that give a fascinating and harmonious light diffusion. The particular orthogonal structure and the well-balanced proportions give these lamps a strong avantgarde sign while maintaining a formal, familiar and refined appearance.

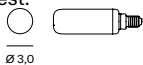
Materials: metal, brass, glass

Mounting: Floor: cable length 300 cm. Plug: type F (Schuko). On/off switch: 80 cm from the base on black fabric cable. Light source: E14 bulb.

Nt. Wt.: 7,6 kg

Class: Degree of protection IP20, insulation class 1.

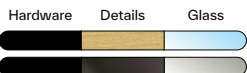
Note: Dimmer version available on request.
110/120V version available on request.
Max dimensions bulb (excluded):



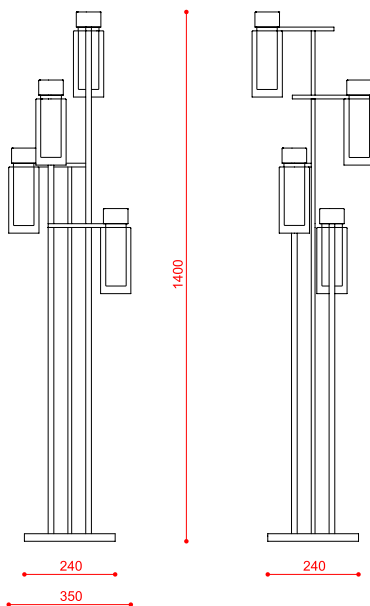
CE IP20



code	voltage	nominal flux	dimmiability	finishes	cable (cm)	dimensions (cm)	recommended LED bulb	€
560.64	220/240V	/	/	C2 + C41 + clear	300	H 140 x Ø 35	4 x E14 8W 500 lm	1.549,00
560.64	220/240V	/	/	C2 + C48 + smoke	300	H 140 x Ø 35	4 x E14 8W 500 lm	1.858.00



C2 Matte black + C41 Brushed brass + Clear glass
C2 Matte black + C48 Black chrome + Smoke glass



measurements in mm

OSMAN

560.74 Wall/Ceiling

Design: Corrado Dotti

Description: Family of lamps with a rational design enriched by precious metallic details and double-wall cylindrical diffusers that give a fascinating and harmonious light diffusion. The particular orthogonal structure and the well-balanced proportions give these lamps a strong avantgarde sign while maintaining a formal, familiar and refined appearance.

Materials: metal, brass, glass

Mounting: Base: 20 x 20 cm cross included with bracket. Light source: E14 bulb.

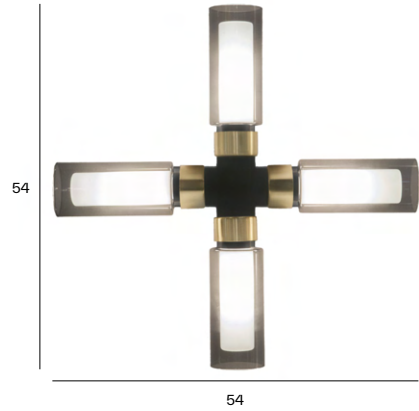
Nt. Wt.: 2,4 kg

Class: Degree of protection IP20, insulation class 1.

Note: Custom base on request
110/120V version available on request.
Max dimensions bulb (excluded):



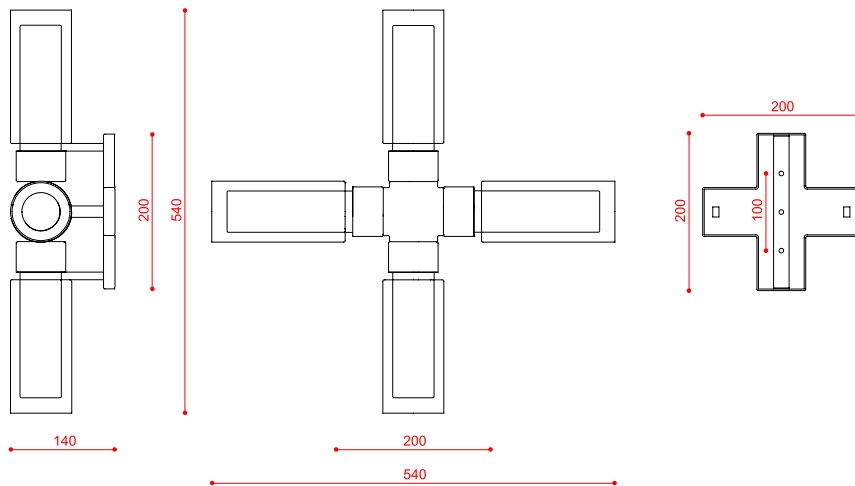
CE IP20



code	voltage	nominal flux	dimmiability	finishes	cable (cm)	dimensions (cm)	recommended LED bulb	€
560.74	220/240V	/	according to bulb	C2 + C41 + clear	/	H 54 x L 54	4 x E14 8W 500 lm	769,00
560.74	220/240V	/	according to bulb	C2 + C48 + smoke	/	H 54 x L 54	4 x E14 8W 500 lm	922,00



C2 Matte black + C41 Brushed brass + Clear glass
C2 Matte black + C48 Black chrome + Smoke glass



measurements in mm

QUADRANTE

505.08 Chandelier

Design: Roberto Giacomucci

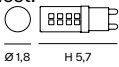
Description: Modular suspension made of welded and powder coated steel pipes. The possible configurations are numerous and create a system of bright grids.

Materials: metal, glass

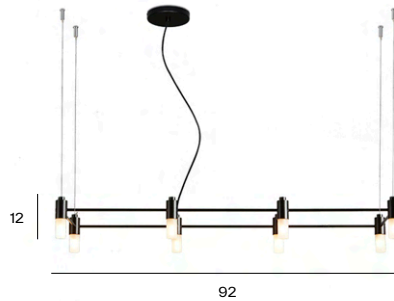
Mounting: Pendant: 125 cm steel cable, black PVC electric cable length 150 cm. Canopy: Ø 13 cm included with bracket. Light source: G9 bulb.

Nt. Wt.: 1,1 kg

Class: Degree of protection IP20, insulation class 1.

Note: Custom canopy on request.
Decentralized canopy.
110/120V version available on request.
Max dimensions bulb (excluded): 

CE  IP20

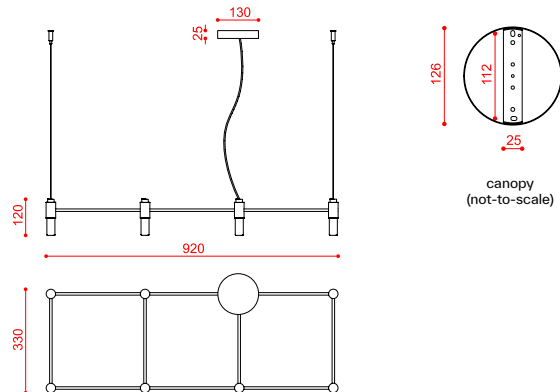


code	voltage	nominal flux	dimmability	finishes	cable (cm)	dimensions (cm)	recommended LED bulb	€
505.08	220/240V	/	according to bulb	C2	125	L 92 x D 33	8 x G9 max 3W	567,00

Hardware



C2 Matte black



measurements in mm

QUADRANTE

505.09 Chandelier

Design: Roberto Giacomucci

Description: Modular suspension made of welded and powder coated steel pipes. The possible configurations are numerous and create a system of bright grids.

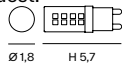
Materials: metal, glass

Mounting: Pendant: 125 cm steel cable, black PVC electric cable length 150 cm. Canopy: Ø 13 cm included with bracket. Light source: G9 bulb.

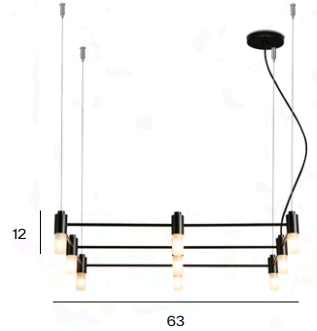
Nt. Wt.: 1,3 kg

Class: Degree of protection IP20, insulation class 1.

Note: Custom canopy on request.
Decentralized canopy.
110/120V version available on request.
Max dimensions bulb (excluded):



CE IP20

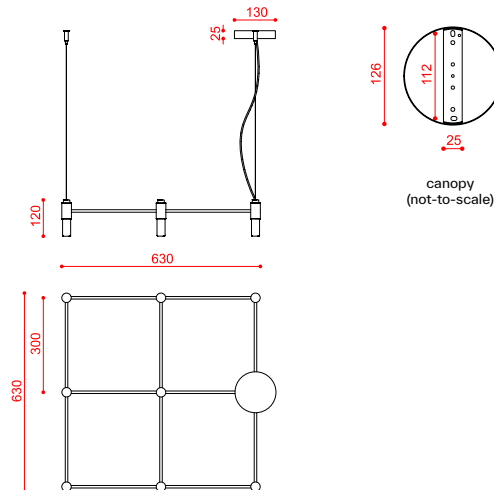


code	voltage	nominal flux	dimmability	finishes	cable (cm)	dimensions (cm)	recommended LED bulb	€
505.09	220/240V	/	according to bulb	C2	125	L 63 x D 63	9 x G9 max 3W	638,00

Hardware



C2 Matte black



measurements in mm

QUADRANTE

505.12 Chandelier

Picture on page 235/236 of the catalogue

Design: Roberto Giacomucci

Description: Modular suspension made of welded and powder coated steel pipes. The possible configurations are numerous and create a system of bright grids.

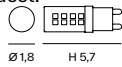
Materials: metal, glass

Mounting: Pendant: 125 cm steel cable, black PVC electric cable length 150 cm. Canopy: Ø 13 cm included with bracket. Light source: G9 bulb.

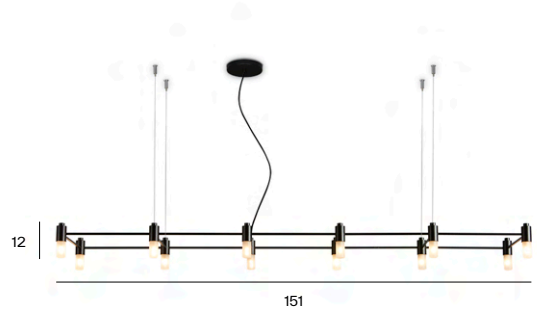
Nt. Wt.: 2,0 kg

Class: Degree of protection IP20, insulation class 1.

Note: Custom canopy on request.
Decentralized canopy.
110/120V version available on request.
Max dimensions bulb (excluded):



CE IP20

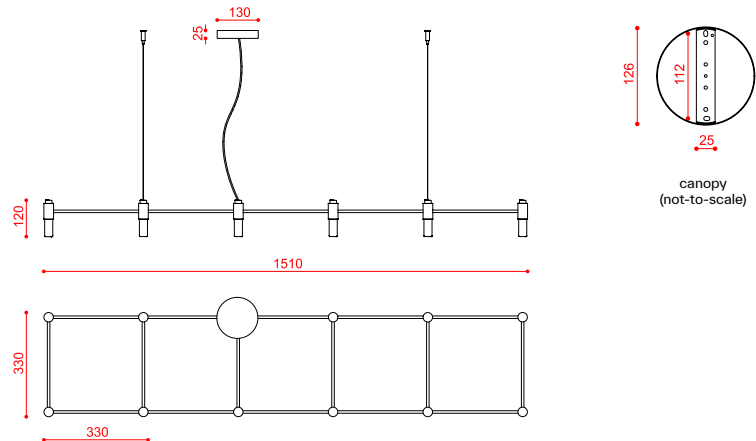


code	voltage	nominal flux	dimmiability	finishes	cable (cm)	dimensions (cm)	recommended LED bulb	€
505.12	220/240V	/	according to bulb	C2	125	L 151 x D 33	12 x G9 max 3W	914,00

Hardware



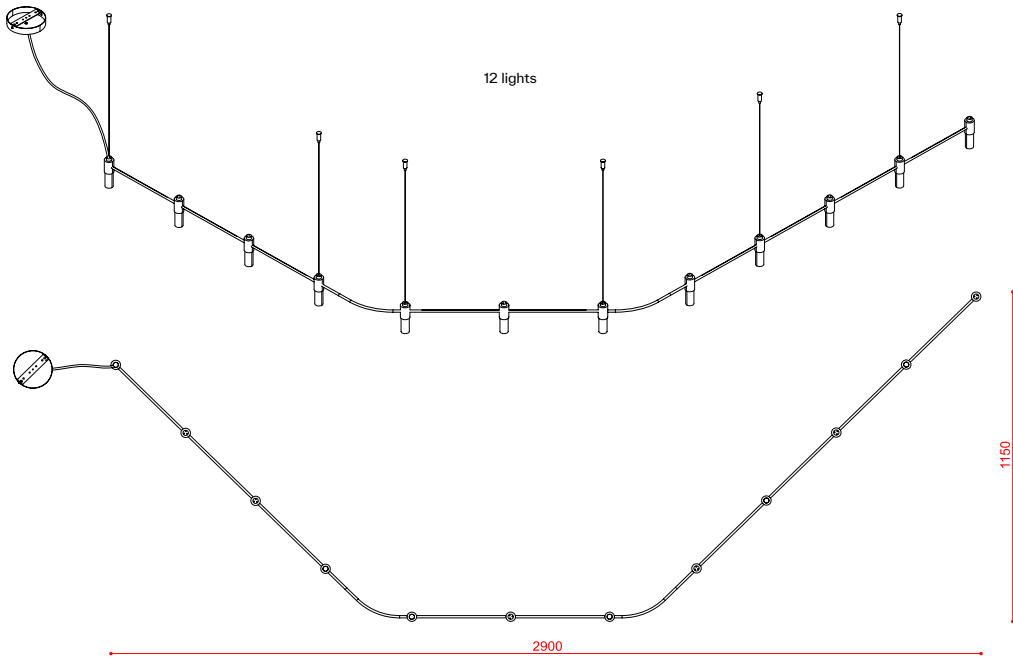
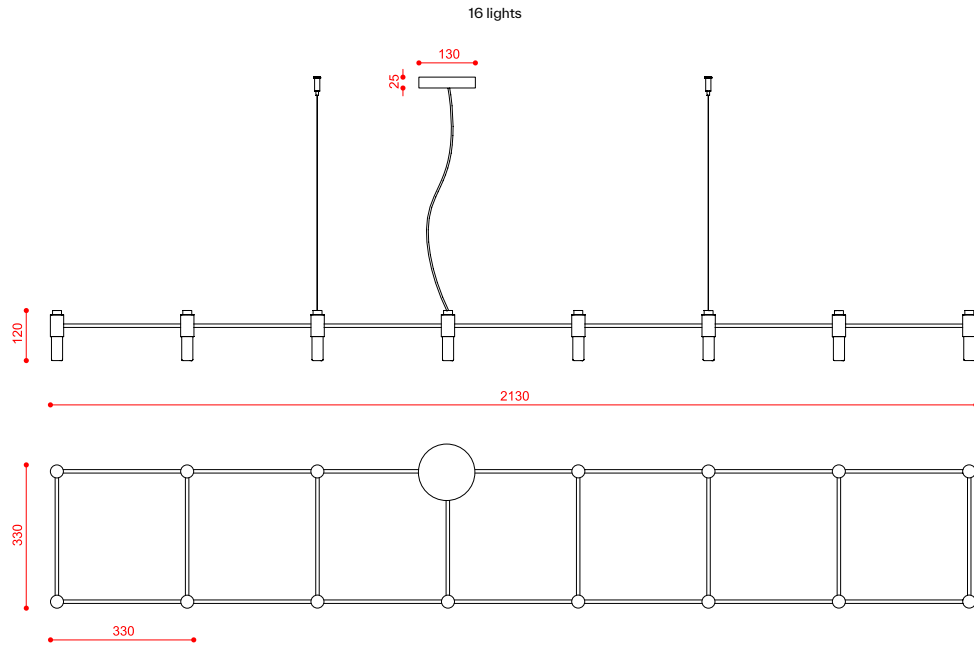
C2 Matte black



measurements in mm

Suggested application

QUADRANTE Chandelier



QUADRANTE

505.16 Chandelier

Design: Roberto Giacomucci

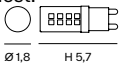
Description: Modular suspension made of welded and powder coated steel pipes. The possible configurations are numerous and create a system of bright grids.

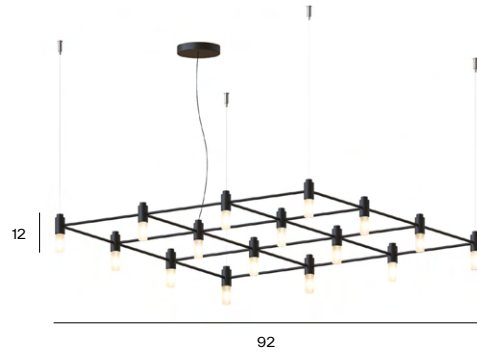
Materials: metal, glass

Mounting: Pendant: 125 cm steel cable, black PVC electric cable length 150 cm. Canopy: Ø 13 cm included with bracket. Light source: G9 bulb.

Nt. Wt.: 2,5 kg

Class: Degree of protection IP20, insulation class 1.

Note: Custom canopy on request.
Decentralized canopy.
110/120V version available on request.
Max dimensions bulb (excluded): 



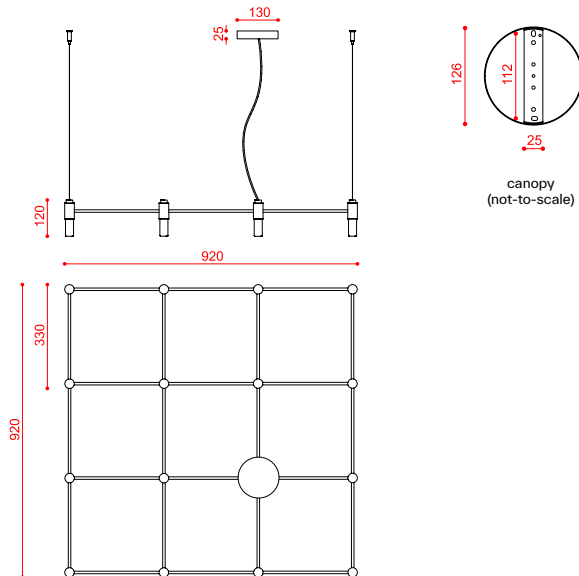
CE  IP20

code	voltage	nominal flux	dimmability	finishes	cable (cm)	dimensions (cm)	recommended LED bulb	€
505.16	220/240V	/	according to bulb	C2	125	L 92 x D 92	16 x G9 max 3W	1.079,00

Hardware



C2 Matte black



measurements in mm

QUADRANTE

505.25 Chandelier

Design: Roberto Giacomucci

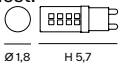
Description: Modular suspension made of welded and powder coated steel pipes.
The possible configurations are numerous and create a system of bright grids.

Materials: metal, glass

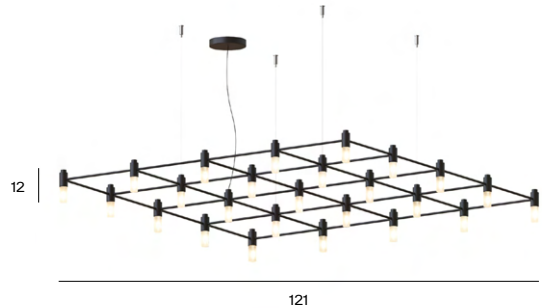
Mounting: Pendant: 125 cm steel cable, black PVC electric cable length 150 cm. Canopy: Ø 13 cm included with bracket. Light source: G9 bulb.

Nt. Wt.: 3,4 kg

Class: Degree of protection IP20, insulation class 1.

Note: Custom canopy on request.
Decentralized canopy.
110/120V version available on request.
Max dimensions bulb (excluded): 

CE  IP20

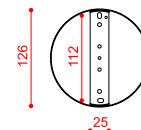
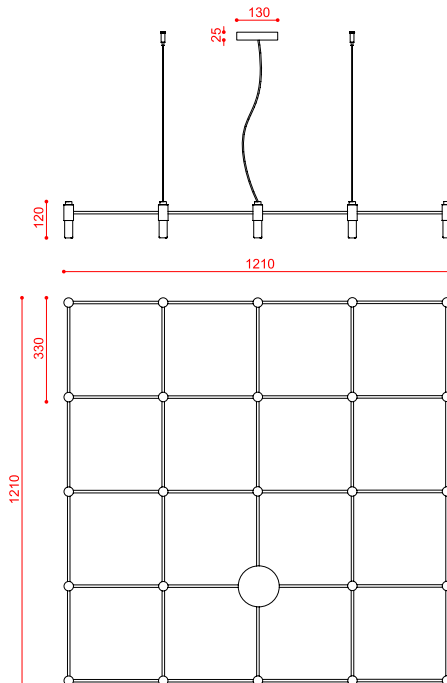


code	voltage	nominal flux	dimmiability	finishes	cable (cm)	dimensions (cm)	recommended LED bulb	€
505.25	220/240V	/	according to bulb	C2	125	L 121 x D 121	25 x G9 max 3W	1.805,00

Hardware



C2 Matte black



canopy (not-to-scale)

measurements in mm

THULA

562.21 Pendant

Picture on page 239/252 of the catalogue

Design: Federica Biasi

Description: The Thula suspension lamps are based on a simple and architectural central element with an illuminating function to which an organic component in wood or quilted leather is added in a skilful game of addition and subtraction. Consists of a linear dimmable LED.

Materials: aluminum, metal, leather, wood

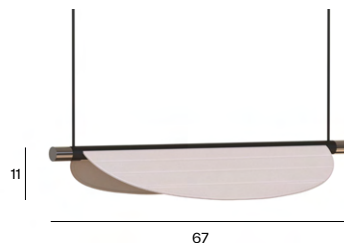
Mounting: Pendant: cable length 150 cm. Canopies: 26x7x3 + Ø 6 cm included with bracket. Light source: Integrated LED.

Nt. Wt.: 1,6 kg

Class: Degree of protection IP40, insulation class 1.

Note: Driver on board.
110/120V version available on request.
DALI version on request.

CE \oplus IP40






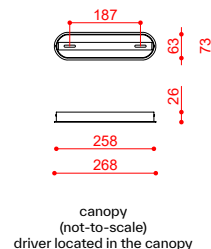
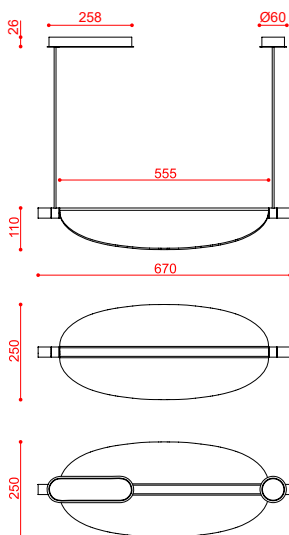
code	voltage	nominal flux	dimmability	finishes	cable (cm)	dimensions (cm)	LED	€
562.21	220/240V	1500 lm	phase cut	all color combos + wood	150	H 11 x L 67	11W 2700K	1.139,00
562.21	220/240V	1500 lm	phase cut	all color combos + leather	150	H 11 x L 67	11W 2700K	1.482,00

Hardware Details

-  C22 Beige + C22 Beige
-  C22 Beige + C68 Satin nickel
-  C74 Sand black + C74 Sand black
-  C74 Sand black + C68 Satin nickel

Shade

-  L02 Beige leather
-  W02 Canaletto walnut
-  W03 Light oak



measurements in mm

THULA

562.22 Pendant

Picture on page 37/239 of the catalogue

Design: Federica Biasi

Description: The Thula suspension lamps are based on a simple and architectural central element with an illuminating function to which an organic component in wood or quilted leather is added in a skilful game of addition and subtraction. Consists of a linear dimmable LED.

Materials: aluminum, metal, leather, wood

Mounting: Pendant: cable length 150 cm. Canopies: 26x7x3 + Ø 6 cm included with bracket. Light source: Integrated LED.

Nt. Wt.: 2,5 kg

Class: Degree of protection IP40, insulation class 1.

Note: Driver on board.
110/120V version available on request.
DALI version on request.

CE \oplus IP40






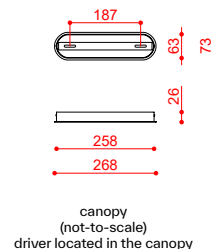
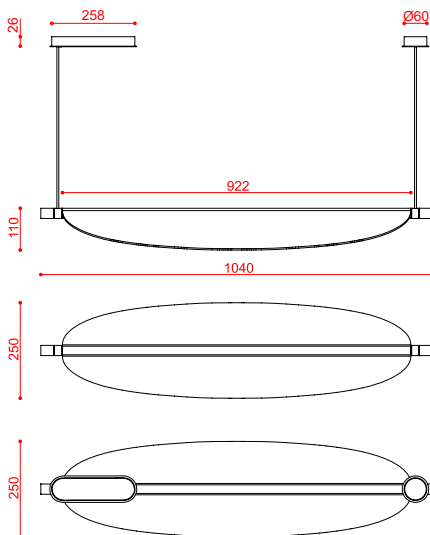
code	voltage	nominal flux	dimmability	finishes	cable (cm)	dimensions (cm)	LED	€
562.22	220/240V	2600 lm	phase cut	all color combos + wood	150	H 11 x L 104	20W 2700K	1.514,00
562.22	220/240V	2600 lm	phase cut	all color combos + leather	150	H 11 x L 104	20W 2700K	1.897,00

Hardware Details

-  C22 Beige + C22 Beige
-  C22 Beige + C68 Satin nickel
-  C74 Sand black + C74 Sand black
-  C74 Sand black + C68 Satin nickel

Shade

-  L02 Beige leather
-  W02 Canaletto walnut
-  W03 Light oak



measurements in mm

THULA

562.23 Pendant

Picture on page 244/245 of the catalogue

Design: Federica Biasi

Description: The Thula suspension lamps are based on a simple and architectural central element with an illuminating function to which an organic component in wood or quilted leather is added in a skilful game of addition and subtraction. Consists of a linear dimmable LED.

Materials: aluminum, metal, leather, wood

Mounting: Pendant: cable length 150 cm. Canopies: 26x7x3 + Ø 6 cm included with bracket. Light source: Integrated LED.

Nt. Wt.: 3,2 kg

Class: Degree of protection IP40, insulation class 1.

Note: Driver on board.
110/120V version available on request.
DALI version on request.

CE  IP40






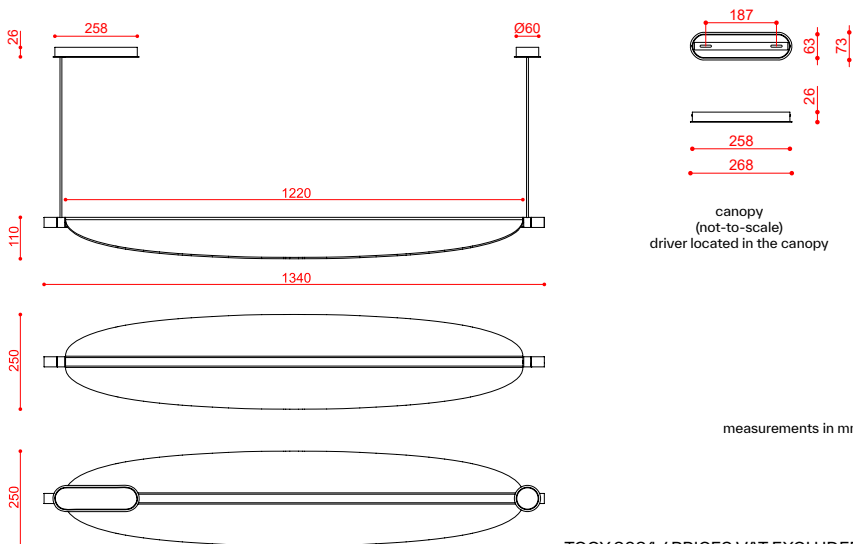
code	voltage	nominal flux	dimmability	finishes	cable (cm)	dimensions (cm)	LED	€
562.23	220/240V	3400 lm	phase cut	all color combos + wood	150	H 11 x L 134	26W 2700K	1.860,00
562.23	220/240V	3400 lm	phase cut	all color combos + leather	150	H 11 x L 134	26W 2700K	2.263,00

Hardware Details

-  C22 Beige + C22 Beige
-  C22 Beige + C68 Satin nickel
-  C74 Sand black + C74 Sand black
-  C74 Sand black + C68 Satin nickel

Shade

-  L02 Beige leather
-  W02 Canaletto walnut
-  W03 Light oak



THULA

562.41 Wall/Ceiling

Picture on page 240/241 of the catalogue

Design: Federica Biasi

Description: Wall lamps based on a simple and architectural central element with an illuminating function to which an organic component in wood or quilted leather is added in a skilful game of addition and subtraction. Consists of a linear dimmable LED.

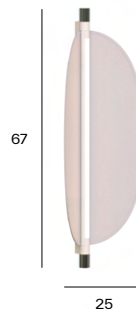
Materials: aluminum, metal, leather, wood

Mounting: Base: 60 x 2 cm included with bracket. Remote driver dimensions: H 2 x L 16 x W 4,5 cm. Light source: Integrated LED.

Nt. Wt.: 1,5 kg

Class: Degree of protection IP40, insulation class 3.

Note: Cable + plug version available (+ €80).
Remote driver included.
Available remote driver for 110/120V version.
DALI version on request.
LED Cover available on request (see page 200).



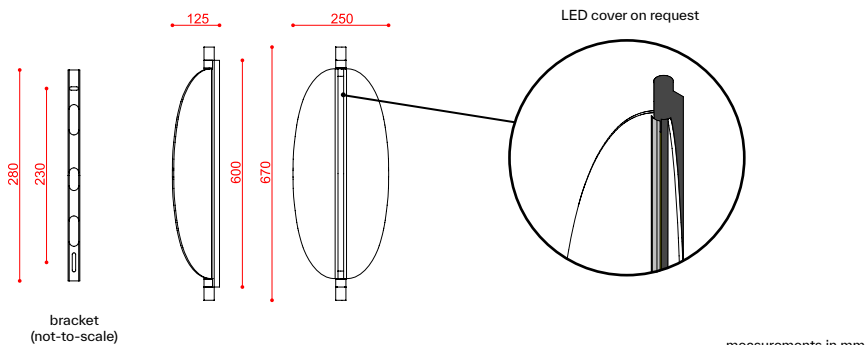
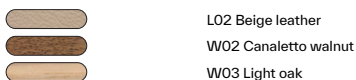
CE IP40

code	voltage	nominal flux	dimmability	finishes	cable (cm)	dimensions (cm)	LED	€
562.41	24V	1400 lm	phase cut	all color combos + wood	/	H 67 x L 25	11W 2700K	966,00
562.41	24V	1400 lm	phase cut	all color combos + leather	/	H 67 x L 25	11W 2700K	1.310,00

Hardware Details



Shade



THULA

562.42 Wall/Ceiling

Picture on page 250/251 of the catalogue

Design: Federica Biasi

Description: Wall lamps based on a simple and architectural central element with an illuminating function to which an organic component in wood or quilted leather is added in a skilful game of addition and subtraction. Consists of a linear dimmable LED.

Materials: aluminum, metal, leather, wood

Mounting: Base: 97 x 2 cm included with bracket. Remote driver dimensions: H 2 x L 16 x W 4,5 cm. Light source: Integrated LED.

Nt. Wt.: 2,3 kg

Class: Degree of protection IP40, insulation class 3.

Note: Cable + plug version available (+ €80).
Remote driver included.
Available remote driver for 110/120V version.
DALI version on request.
LED Cover available on request (see page 200).



CE IP40

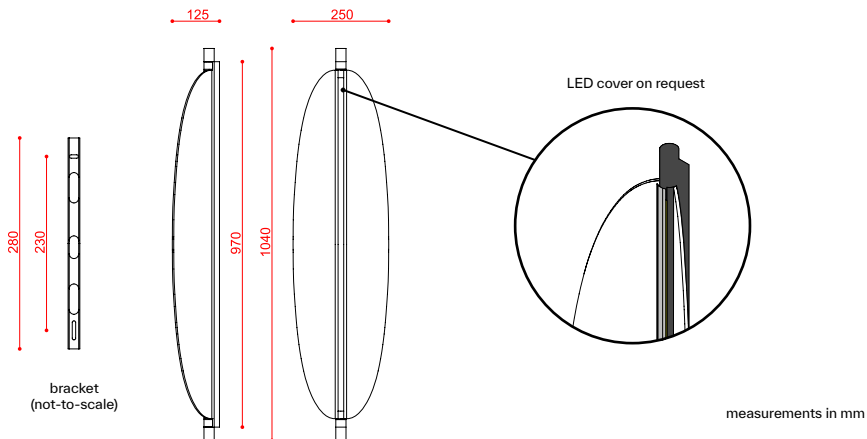
code	voltage	nominal flux	dimmability	finishes	cable (cm)	dimensions (cm)	LED	€
562.42	24V	2600 lm	phase cut	all color combos + wood	/	H 104 x L 25	20W 2700K	1.345,00
562.42	24V	2600 lm	phase cut	all color combos + leather	/	H 104 x L 25	20W 2700K	1.693,00

Hardware Details

-  C22 Beige + C22 Beige
-  C22 Beige + C68 Satin nickel
-  C74 Sand black + C74 Sand black
-  C74 Sand black + C68 Satin nickel

Shade

-  L02 Beige leather
-  W02 Canaletto walnut
-  W03 Light oak



THULA

562.43 Wall/Ceiling

Picture on page 242/243/247 of the catalogue

Design: Federica Biasi

Description: Wall lamps based on a simple and architectural central element with an illuminating function to which an organic component in wood or quilted leather is added in a skilful game of addition and subtraction. Consists of a linear dimmable LED.

Materials: aluminum, metal, leather, wood

Mounting: Base: 127 x 2 cm included with bracket. Remote driver dimensions: H 2 x L 16 x W 4,5 cm. Light source: Integrated LED.

Nt. Wt.: 3 kg

Class: Degree of protection IP40, insulation class 3.

Note: Cable + plug version available (+ €80).
Remote driver included.
Available remote driver for 110/120V version.
DALI version on request.
LED Cover available on request (see page 200).






CE IP40

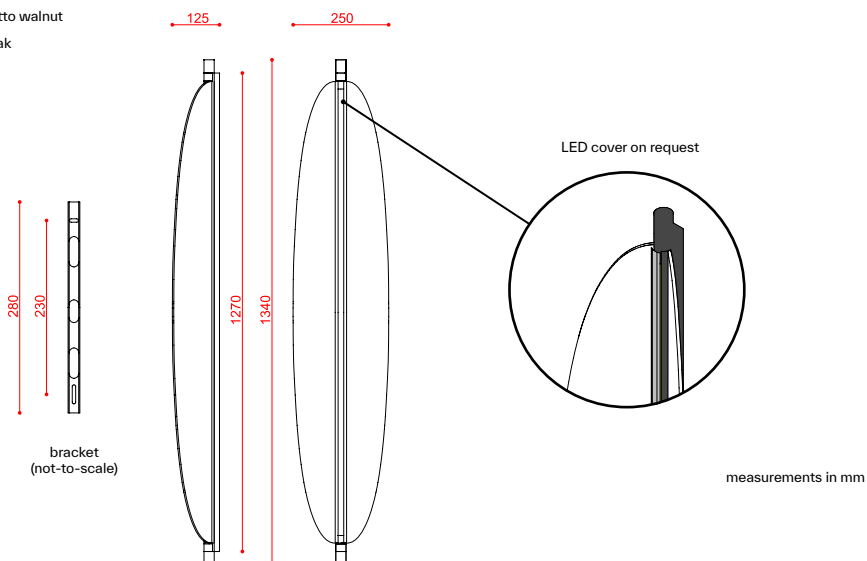
code	voltage	nominal flux	dimmability	finishes	cable (cm)	dimensions (cm)	LED	€
562.43	24V	3400 lm	phase cut	all color combos + wood	/	H 134 x L 25	26W 2700K	1.689,00
562.43	24V	3400 lm	phase cut	all color combos + leather	/	H 134 x L 25	26W 2700K	2.101,00

Hardware Details

-  C22 Beige + C22 Beige
-  C22 Beige + C68 Satin nickel
-  C74 Sand black + C74 Sand black
-  C74 Sand black + C68 Satin nickel

Shade

-  L02 Beige leather
-  W02 Canaletto walnut
-  W03 Light oak



THULA

562.45 Wall/Ceiling

Design: Federica Biasi

Description: Wall lamps based on a simple and architectural central element. Consists of a linear dimmable LED; in the simple wall version it can be oriented, thus giving direct or indirect light.

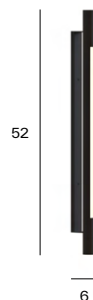
Materials: aluminum, metal

Mounting: Base: 42 x 2 cm included with bracket. Adjustable direct light: 350°. Remote driver dimensions: H 2 x L 16 x W 4,5 cm. Light source: Integrated LED.

Nt. Wt.: 0,9 kg

Class: Degree of protection IP40, insulation class 3.

Note: Cable + plug version available (+ €80).
Remote driver included.
Driver on board on request.
Available remote driver for 110/120V version.
DALI version on request.



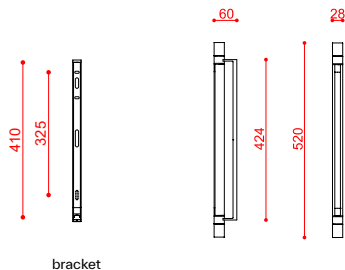
CE IP40

code	voltage	nominal flux	dimmability	finishes	cable (cm)	dimensions (cm)	LED	€
562.45	24V	1000 lm	phase cut	all color combos	/	H 52 x L 6	8W 2700K	645,00

Hardware Details



C22 Beige + C22 Beige
C22 Beige + C68 Satin nickel
C74 Sand black + C74 Sand black
C74 Sand black + C68 Satin nickel



measurements in mm

THULA

562.46 Wall/Ceiling

Design: Federica Biasi

Description: Wall lamps based on a simple and architectural central element. Consists of a linear dimmable LED; in the simple wall version it can be oriented, thus giving direct or indirect light.

Materials: aluminum, metal

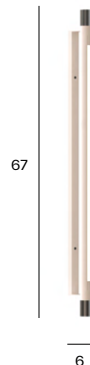
Mounting: Base: 58 x 2 cm included with bracket. Adjustable direct light: 350°. Remote driver dimensions: H 2 x L 16 x W 4,5 cm. Light source: Integrated LED.

Nt. Wt.: 1 kg

Class: Degree of protection IP40, insulation class 3.

Note: Cable + plug version available (+ €80).
Remote driver included.
Available remote driver for 110/120V version.
DALI version on request.

CE IP40

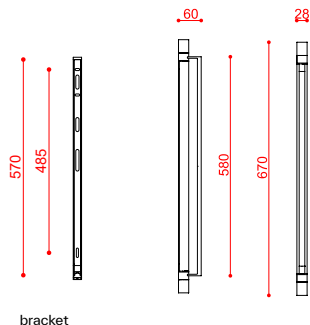


code	voltage	nominal flux	dimmability	finishes	cable (cm)	dimensions (cm)	LED	€
562.46	24V	1400 lm	phase cut	all color combos	/	H 67 x L 6	11W 2700K	678,00

Hardware Details



C22 Beige + C22 Beige
C22 Beige + C68 Satin nickel
C74 Sand black + C74 Sand black
C74 Sand black + C68 Satin nickel



measurements in mm

THULA

562.47 Wall/Ceiling

Picture on page 248/249 of the catalogue

Design: Federica Biasi

Description: Wall lamps based on a simple and architectural central element. Consists of a linear dimmable LED; in the simple wall version it can be oriented, thus giving direct or indirect light.

Materials: aluminum, metal

Mounting: Base: 95 x 2 cm included with bracket. Adjustable direct light: 350°. Remote driver dimensions: H 2 x L 16 x W 4,5 cm. Light source: Integrated LED.

Nt. Wt.: 1,5 kg

Class: Degree of protection IP40, insulation class 3.

Note: Cable + plug version available (+ €80). Remote driver included. Available remote driver for 110/120V version. DALI version on request.

CE IP40

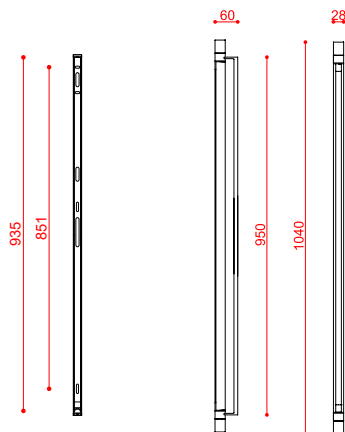


code	voltage	nominal flux	dimmability	finishes	cable (cm)	dimensions (cm)	LED	€
562.47	24V	2600 lm	phase cut	all color combos	/	H 104 x L 6	20W 2700K	851,00

Hardware Details



C22 Beige + C22 Beige
 C22 Beige + C68 Satin nickel
 C74 Sand black + C74 Sand black
 C74 Sand black + C68 Satin nickel



bracket

measurements in mm

TRATTI

566.41 Wall/Ceiling

Picture on page 20/262 of the catalogue

Design: Cara\Davide

Description: Sculptural characters and deconstructed lights, for accessories that border on art: Tratti is a scenographic modular lighting system made up of floor lamps, ceiling lamps and wall sconces that stand as entities in which lighting and matter unify. Characterized by a slightly grainy white finish, noticeable even when turned off, and made of 3D printed nylon powder, these lamps are defined by a soft and diffused light that outlines the anatomical structure of the element from the inside.

Materials: Powder Nylon, metal

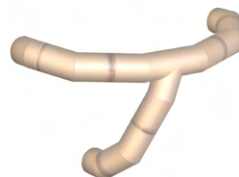
Mounting: Base: Ø8 cm included with bracket. Light source: Integrated LED.

Nt. Wt.: 0,57 kg

Class: Degree of protection IP40, insulation class 3.

Note: Remote driver included.
Custom shape on request.

CE IP40

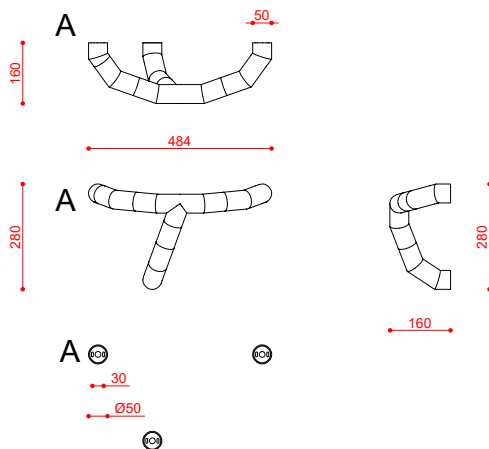


code	voltage	nominal flux	dimmability	finishes	cable (cm)	dimensions (cm)	LED	€
566.41	24V	950 lm	according to driver	N01 + C72	/	H 28 x L 49	15W 2700K	1.420,00

Hardware Details



N01 Natural Powder nylon + C72 Opaque nickel



measurements in mm

TRATTI

566.42 Wall/Ceiling
Picture on page 20/255/257 of the catalogue

Design: Cara\Davide

Description: Sculptural characters and deconstructed lights, for accessories that border on art: Tratti is a scenographic modular lighting system made up of floor lamps, ceiling lamps and wall sconces that stand as entities in which lighting and matter unify. Characterized by a slightly grainy white finish, noticeable even when turned off, and made of 3D printed nylon powder, these lamps are defined by a soft and diffused light that outlines the anatomical structure of the element from the inside.

Materials: Powder Nylon, metal

Mounting: Base: Ø8 cm included with bracket. Light source: Integrated LED.

Nt. Wt.: 0,57 kg

Class: Degree of protection IP40, insulation class 3.

Note: Remote driver included.
Custom shape on request.

CE IP40

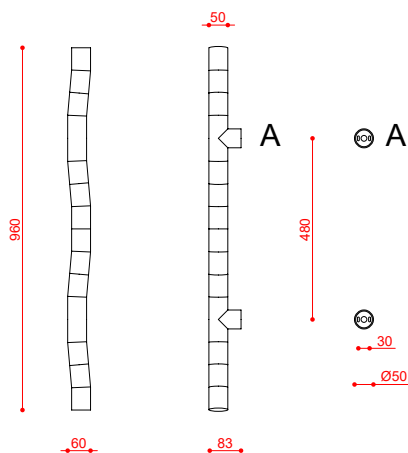


code	voltage	nominal flux	dimmiability	finishes	cable (cm)	dimensions (cm)	LED	€
566.42	24V	950 lm	according to driver	N01 + C72	/	H 96 x L 6	15W 2700K	1.580,00

Hardware Details



N01 Natural Powder nylon + C72 Opaque nickel



measurements in mm

TRATTI

566.61 Floor

Picture on page 258/259/262 of the catalogue

Design: Cara\Davide

Description: Sculptural characters and deconstructed lights, for accessories that border on art: Tratti is a scenographic modular lighting system made up of floor lamps, ceiling lamps and wall sconces that stand as entities in which lighting and matter unify. Characterized by a slightly grainy white finish, noticeable even when turned off, and made of 3D printed nylon powder, these lamps are defined by a soft and diffused light that outlines the anatomical structure of the element from the inside.

Materials: Powder Nylon, metal

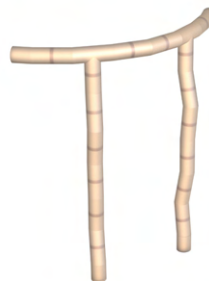
Mounting: Base: Ø8 cm included with bracket. Light source: Integrated LED.

Nt. Wt.: 1 kg

Class: Degree of protection IP40, insulation class 3.

Note: Remote driver included.
Custom shape on request.

CE IP40

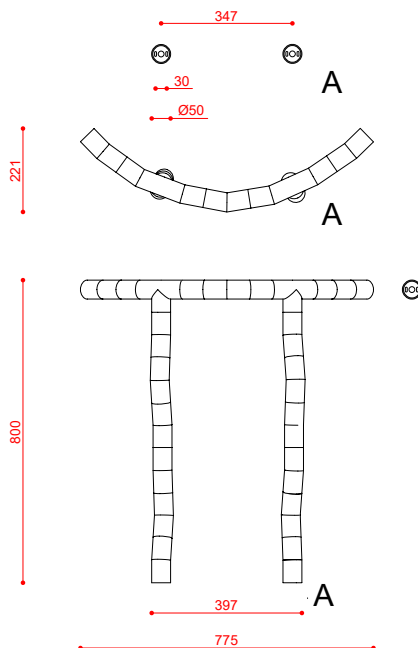


code	voltage	nominal flux	dimmability	finishes	cable (cm)	dimensions (cm)	LED	€
566.61	24V	1600 lm	according to driver	N01 + C72	/	H 80 x L 78	26W 2700K	2.300,00

Hardware Details



N01 Natural Powder nylon + C72 Opaque nickel



measurements in mm

TRATTI

566.71 Ceiling

Picture on page 20/258/259/260 of the catalogue

Design: Cara\Davide

Description: Sculptural characters and deconstructed lights, for accessories that border on art: Tratti is a scenographic modular lighting system made up of floor lamps, ceiling lamps and wall sconces that stand as entities in which lighting and matter unify. Characterized by a slightly grainy white finish, noticeable even when turned off, and made of 3D printed nylon powder, these lamps are defined by a soft and diffused light that outlines the anatomical structure of the element from the inside.

Materials: Powder Nylon, metal

Mounting: Base: Ø8 cm included with bracket. Light source: Integrated LED.

Nt. Wt.: 2 kg

Class: Degree of protection IP40, insulation class 3.

Note: Remote driver included.
Custom shape on request.

CE IP40

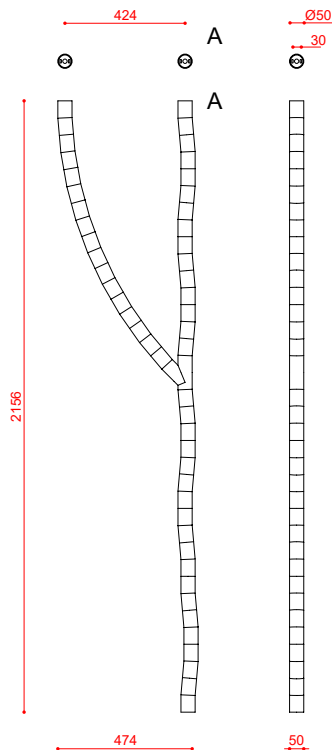


code	voltage	nominal flux	dimmiability	finishes	cable (cm)	dimensions (cm)	LED	€
566.71	24V	3200 lm	according to driver	N01 + C72	/	H 216 x L 47	50W 2700K	3.780,00

Hardware Details



N01 Natural Powder nylon + C72 Opaque nickel



measurements in mm

TRATTI

566.72 Wall to Ceiling

Picture on page 260 of the catalogue

Design: Cara\Davide

Description: Sculptural characters and deconstructed lights, for accessories that border on art: Tratti is a scenographic modular lighting system made up of floor lamps, ceiling lamps and wall sconces that stand as entities in which lighting and matter unify. Characterized by a slightly grainy white finish, noticeable even when turned off, and made of 3D printed nylon powder, these lamps are defined by a soft and diffused light that outlines the anatomical structure of the element from the inside.

Materials: Powder Nylon

Mounting: Base: Ø8 cm included with bracket. Light source: Integrated LED.

Nt. Wt.: 1,3 kg

Class: Degree of protection IP40, insulation class 3.

Note: Remote driver included.
Custom shape on request.

CE IP40

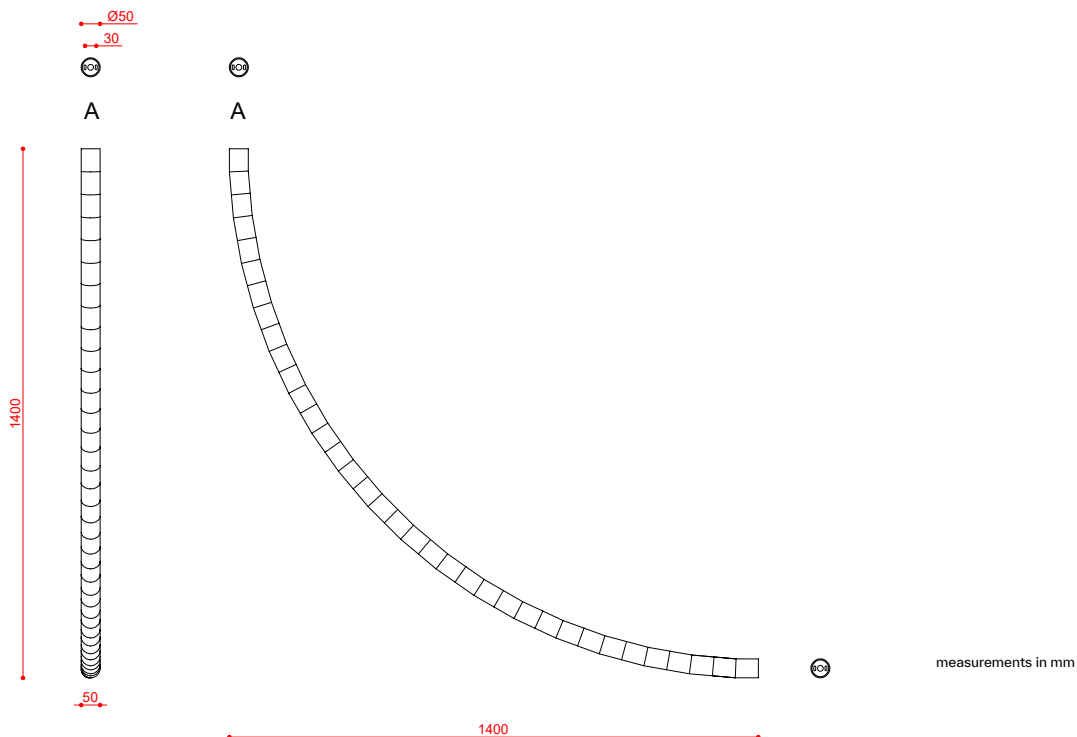


code	voltage	nominal flux	dimmiability	finishes	cable (cm)	dimensions (cm)	LED	€
566.72	24V	1950 lm	according to driver	N01 + C72	/	H 140 x L 140	35W 2700K	2.620,00

Hardware Details



N01 Natural Powder nylon + C72 Opaque nickel



TRATTI

566.73 Wall/Ceiling

Picture on page 260/261 of the catalogue

Design: Cara\Davide

Description: Sculptural characters and deconstructed lights, for accessories that border on art: Tratti is a scenographic modular lighting system made up of floor lamps, ceiling lamps and wall sconces that stand as entities in which lighting and matter unify. Characterized by a slightly grainy white finish, noticeable even when turned off, and made of 3D printed nylon powder, these lamps are defined by a soft and diffused light that outlines the anatomical structure of the element from the inside.



Materials: Powder Nylon

Mounting: Base: Ø8 cm included with bracket. Light source: Integrated LED.

Nt. Wt.: 1,3 kg

Class: Degree of protection IP40, insulation class 3.

Note: Remote driver included.
Custom diameter on request.

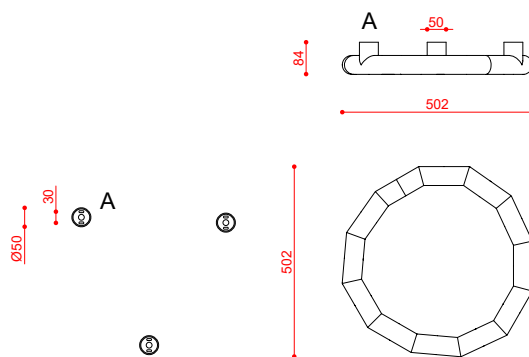
CE IP40

code	voltage	nominal flux	dimmiability	finishes	cable (cm)	dimensions (cm)	LED	€
566.72	24V	1950 lm	according to driver	N01 + C72	/	H 8,4 x L 51	35W 2700K	1.940,00

Hardware Details



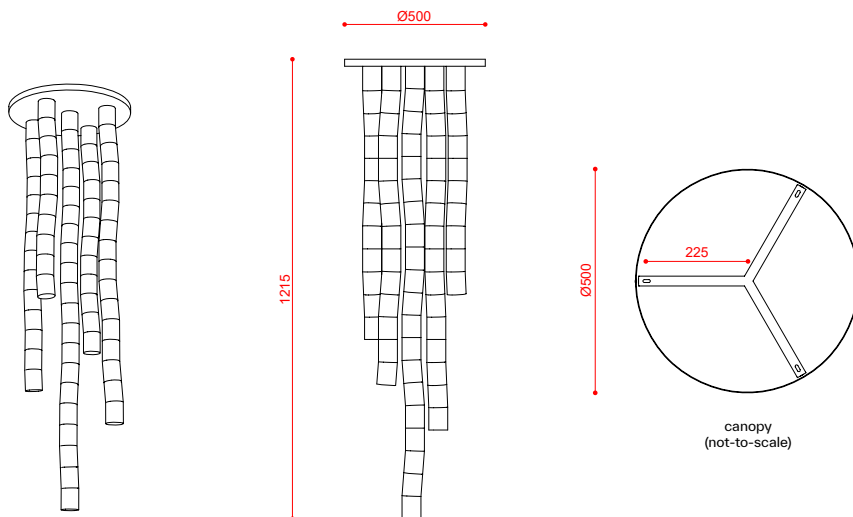
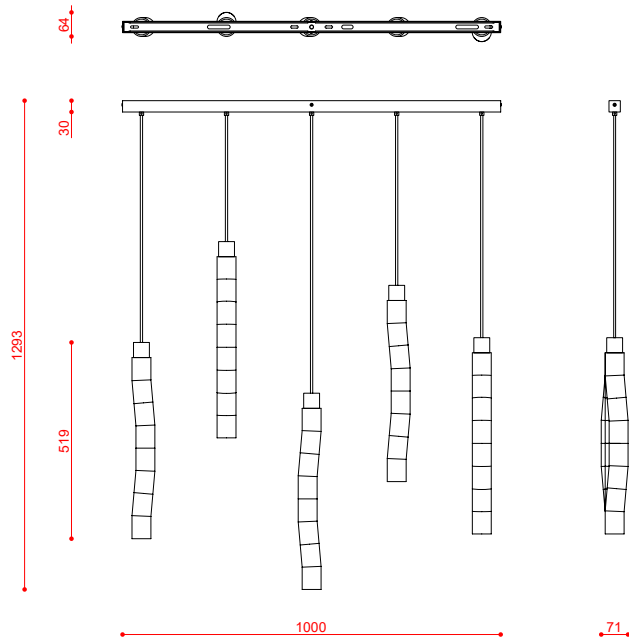
N01 Natural Powder nylon + C72 Opaque nickel

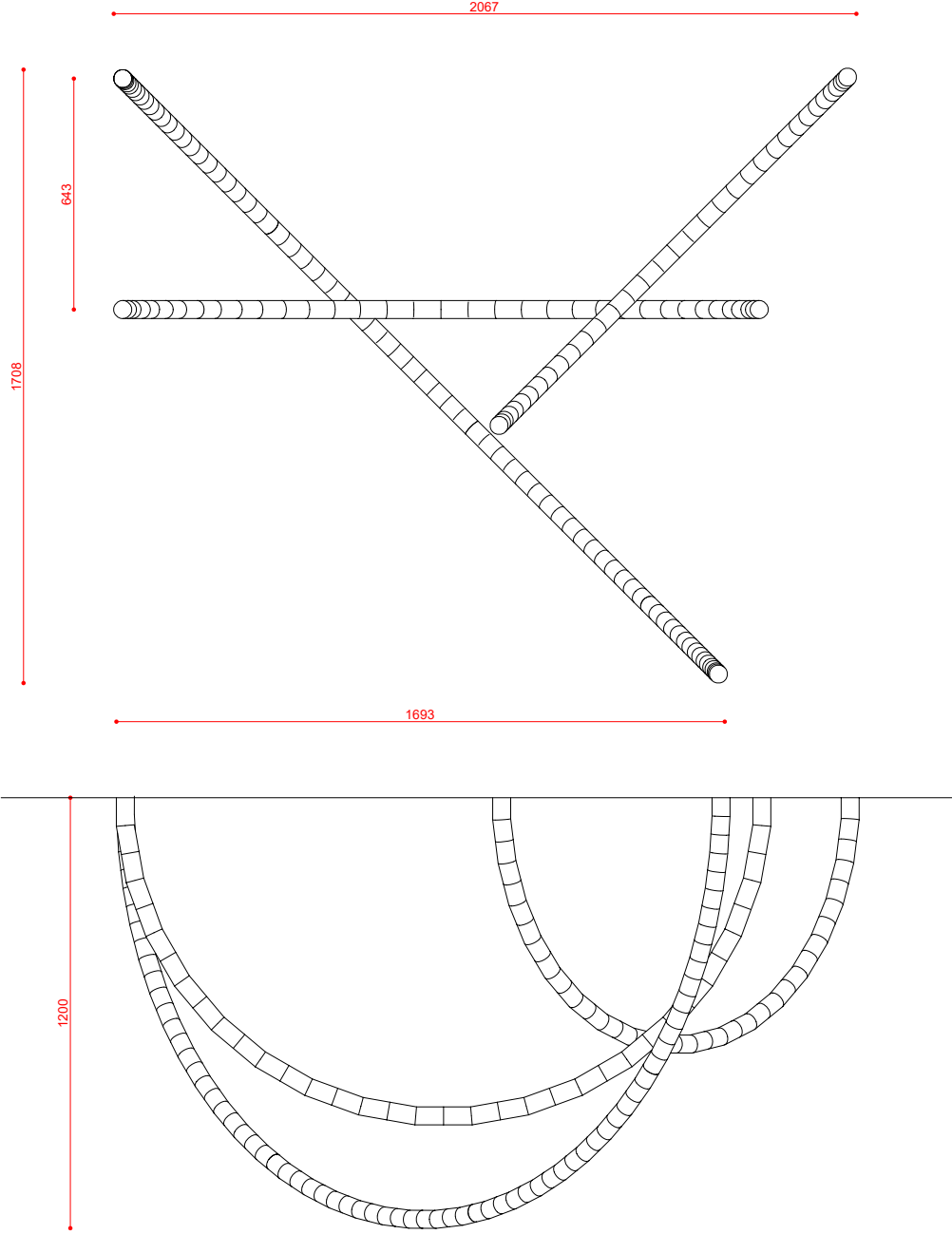


measurements in mm

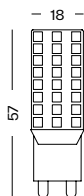
Suggested application

Tratti Collection

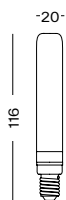




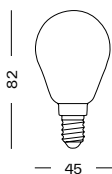
LED Bulbs



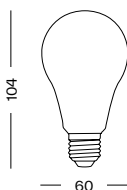
article	code	for	dimensions (cm)	details	€
G9 LED dimmable	LAMPLEDG92700	Filipa, Muse, Nabila, Quadrante	Ø 1,8 x H 5,7	4W - 3000K 500 lm	13,00



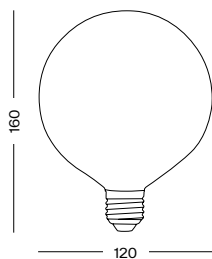
article	code	for	dimensions (cm)	details	€
E14 T20 LED dimmable	LAMPLEDE14T20	Osman	Ø 2 x H 11,6	5W - 2700K 470 lm	11,00



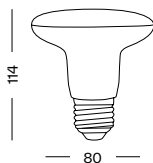
article	code	for	dimensions (cm)	details	€
E14 G45 LED not dimmable	LAMPLEDE14G45	558.31	Ø 4,5 x H 8,2	6,5W - 3000K 806 lm	6,00



article	code	for	dimensions (cm)	details	€
E27 A60 LED not dimmable	LAMPLEDE27A60	Lilly, Macao, Gordon, Excalibur	Ø 6 x H 10,4	8W - 2700K 806 lm	6,00

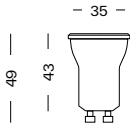


article	code	for	dimensions (cm)	details	€
E27 G120 LED not dimmable	LAMPLEDE27G120	Lilly, Macao	Ø 12 x H 16	19W - 3000K 2452 lm	20,00



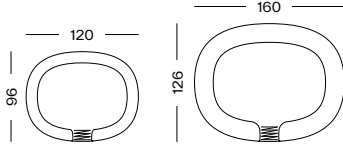
article	code	for	dimensions (cm)	details	€
E27 R80 LED not dimmable	LAMPLEDE27R80	563.11	Ø 8 x H 11,4	9,5W - 3000K 1055 lm	14,00

LED Bulbs



article	code	for	dimensions (cm)	details	€
Gu10 LED not dimmable	LAMPLEDGU10	Lei	Ø 3,5 x H 4,9	4,5W - 3000K 380 lm	14,00

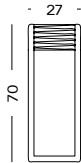
Glasses



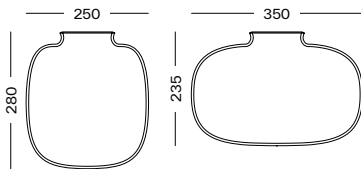
article	code	for	dimensions (cm)	€
Clear Glass	500.VETD12CL	Muse, Nabila	Ø 12	39,00
Clear Glass	500.VETD16CL	Filipa, Muse, Nabila	Ø 16	73,00
Smoked Glass	500.VETD12SM	Nabila	Ø 12	50,00
Smoked Glass	500.VETD16SM	Nabila	Ø 16	88,00



article	code	for	dimensions (cm)	€
Clear Glass	560.VETCL	Osman	Ø 8 x H 19	52,00
Smoked Glass	560.VETSM	Osman	Ø 8 x H 19	68,00

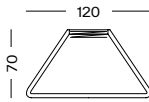


article	code	for	dimensions (cm)	€
Satin Glass	505.VETOP	Quadrante	Ø 3 x H 7	16,00

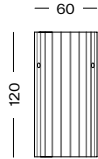


article	code	for	dimensions (cm)	€
Smoked Glass	557.VETD25SM	Legier	Ø 25	153,00
Smoked Glass	557.VETD35SM	Legier	Ø 35	217,00
Opal Glass	557.VETD25OP	Legier	Ø 25	153,00
Opal Glass	557.VETD35OP	Legier	Ø 35	217,00

Glasses



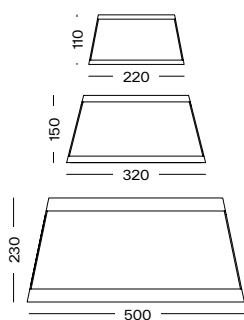
article	code	for	dimensions (cm)	€
Clear Glass	565.VETCL	Linfa	Ø 12 x H 7	58,00
Smoke Glass	565.VETSM	Linfa	Ø 12 x H 7	62,00
Opal Glass	565.VETOP	Linfa	Ø 12 x H 7	62,00



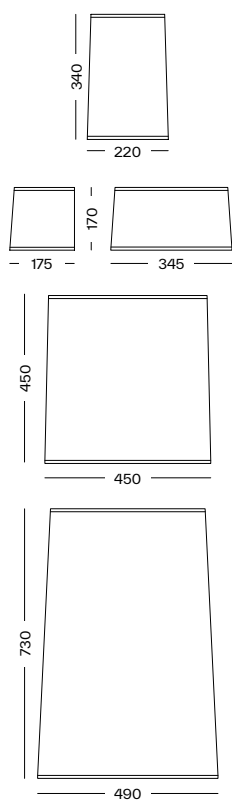
article	code	for	dimensions (cm)	€
Clear Glass	564.VETCL	Lei	Ø 6 x H 12	36,00
Frost Glass	564.VETFR	Lei	Ø 6 x H 12	42,00



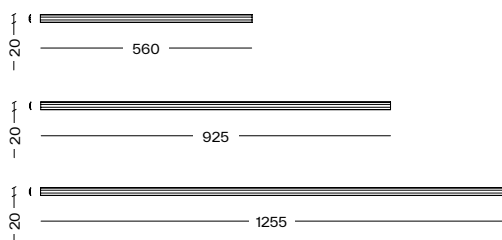
Shades



article	code	for	dimensions (cm)	€
Lampshade small	558.PARD22	558.22 558.31 558.42	Ø 22 x H 11	65,00
Lampshade medium	558.PARD32	558.23	Ø 32 x H 15	83,00
Lampshade big	558.PARD50	558.25 558.32 558.65	Ø 50 x H 23	207,00

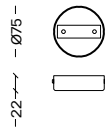


article	code	for	dimensions (cm)	€
Lampshade White fabric	551.PARD22WH	551.32	Ø 22 x H 34	94,00
Lampshade Beige fabric + black net	551.PARD22BE	551.32	Ø 22 x H 34	94,00
Lampshade White fabric	551.PARD35WH	551.44	L 34,5 x H 17	112,00
Lampshade Beige fabric + black net	551.PARD35BE	551.44	L 34,5 x H 17	112,00
Lampshade White fabric	551.PARD45WH	551.64	L 45 x H 45	263,00
Lampshade Beige fabric + black net	551.PARD45BE	551.64	L 45 x H 45	263,00
Lampshade White fabric	551.PARD49WH	551.65	L 49 x H 73	295,00
Lampshade Beige fabric + black net	551.PARD49BE	551.65	L 49 x H 73	295,00

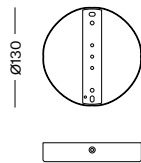


article	code	for	dimensions (cm)	€
LED cover Thula small C74/C22	562.COV56	562.41	L 56 x H 2	35,00
LED cover Thula medium C74/C22	562.COV92	562.42	L 92,5 x H 2	36,00
LED cover Thula big C74/C22	562.COV125	562.43	L 125,5 x H 2	37,00

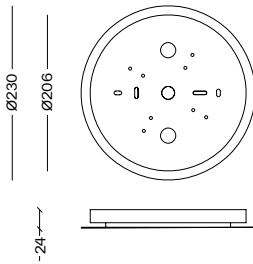
Canopies



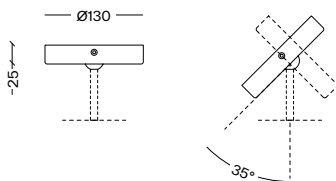
article	code	finishes	dimensions (cm)	€
Ceiling canopy Ø7,5	500.CAND7	C2/C74	Ø 7,5 x H 2,2	25,00



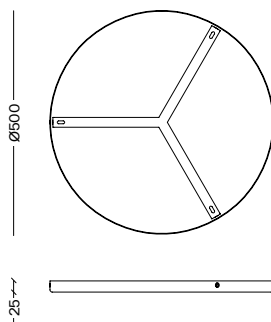
article	code	finishes	dimensions (cm)	€
Ceiling canopy Ø13	500.CAND13	C2/C74	Ø 13 x H 2,5	30,00



article	code	finishes	dimensions (cm)	€
Ceiling canopy up to 8 pendant	500.CAND23	C2/C74	Ø 23 x H 2,4	60,00

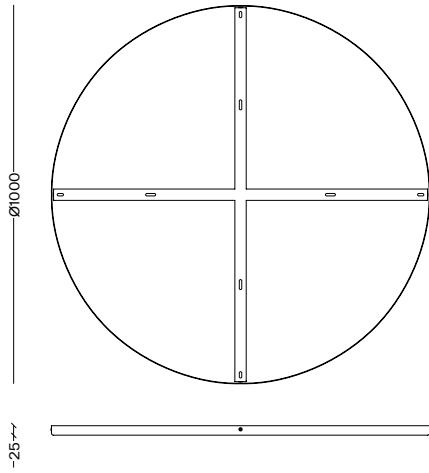


article	code	finishes	dimensions (cm)	€
Sloped ceiling canopy Ø13	500.CAND13SL	C2/C74	Ø 13 x H 2,5	110,00

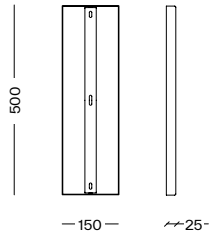


article	code	finishes	dimensions (cm)	€
Ceiling canopy Ø50	500.CAND50	C2/C74	Ø 50 x H 2,5	120,00

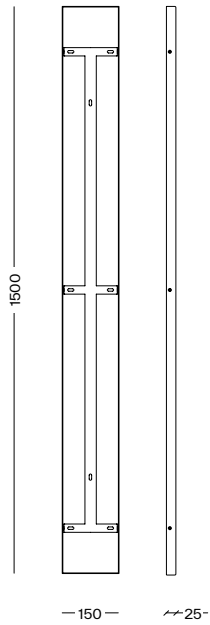
Canopies



article	code	finishes	dimensions (cm)	€
Ceiling canopy Ø100	500.CAND100	C2/C74	Ø 100 x H 2,5	520,00

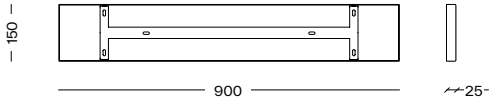


article	code	finishes	dimensions (cm)	€
Ceiling canopy 50x15	500.CAND50x15	C2/C74	L 50 x W 15 x H 2,5	140,00

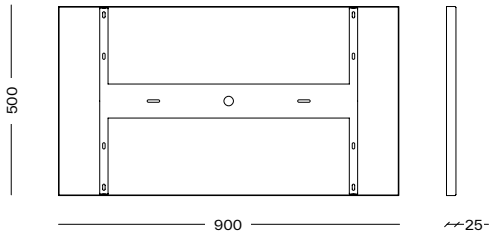


article	code	finishes	dimensions (cm)	€
Ceiling canopy 150x15	500.CAND150x15	C2/C74	L 150 x W 15 x H 2,5	360,00

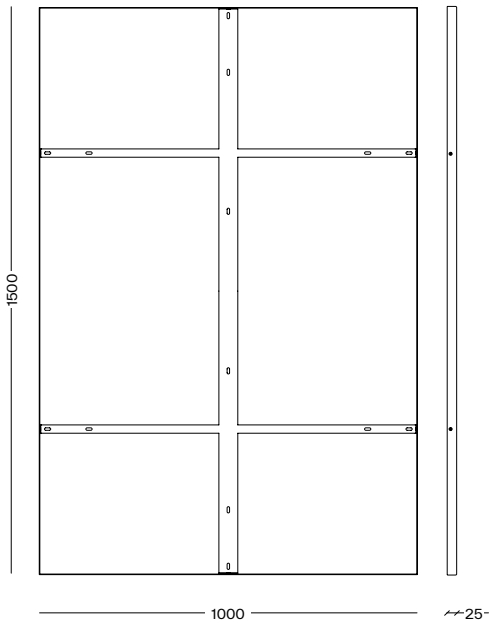
Canopies



article	code	finishes	dimensions (cm)	€
Ceiling canopy 90x15	500.CAND90x15	C2/C74	L 90 x W 15 x H 2,5	200,00

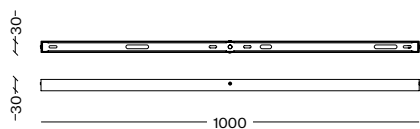


article	code	finishes	dimensions (cm)	€
Ceiling canopy 90x50	500.CAND90x50	C2/C74	L 90 x W 50 x H 2,5	640,00

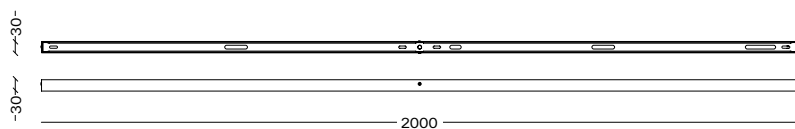


article	code	finishes	dimensions (cm)	€
Ceiling canopy 150x100	500.CAND150x100	C2/C74	L 150 x W 100 x H 2,5	980,00

Canopies

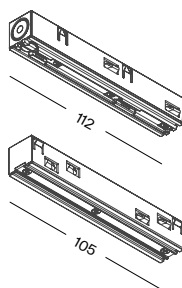
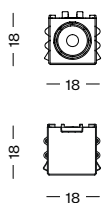
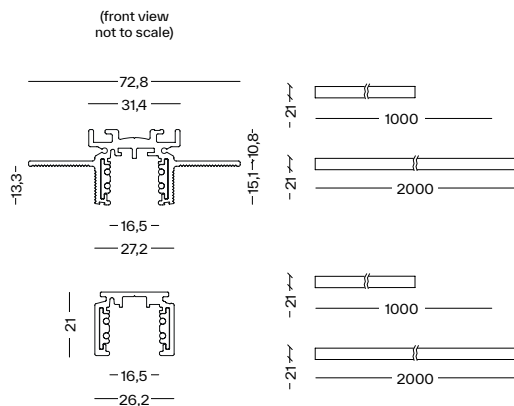


article	code	finishes	dimensions (cm)	€
Ceiling canopy 3x3x100	500.CAND3x100	C2/C74	L 100 x W 3 x H 3	196,00



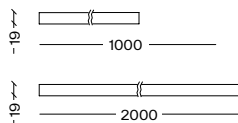
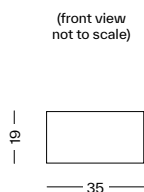
article	code	finishes	dimensions (cm)	€
Ceiling canopy 3x3x200	500.CAND3x200	C2/C74	L 200 x W 3 x H 3	392,00

Track LEI 48V



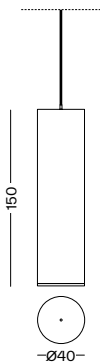
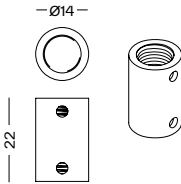
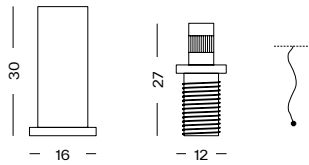
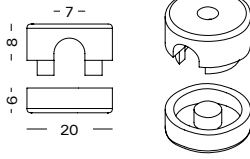
article	code	note	dimensions (cm)	€
1 m 48V black trimless track	564.TRIM48V100	trimless, DALI	L 100 x W 7,3 x H 2,6	120,00
2 m 48V black trimless track	564.TRIM48V200	trimless, DALI	L 200 x W 7,3 x H 2,6	220,00
1 m 48V black surface track	564.SUR48V100	surface, DALI	L 100 x W 2,6 x H 2,1	90,00
2 m 48V black surface track	564.SUR48V200	surface, DALI	L 200 x W 2,6 x H 2,1	160,00
article	code	note	dimensions (cm)	€
Track feeding	564.A	trimless/ surface	L 11,2 x W 1,8 x H 1,8	38,00
Track feeding joint	564.B	trimless/ surface	L 10,5 x W 1,8 x H 1,8	25,00
Surface track end cap	564.C	trimless/ surface	L 2,6 x H 2,1	15,00
Surface track end cap hole	564.D	trimless/ surface	L 2,6 x H 2,1	18,00
Driver 60W max 10 spot	564.driver60	remote	/	45,00

Track LEI 230V



article	code	note	dimensions (cm)	€
1 m, 230V surface track	564.SUR230V100	surface	L 100 x W 3,5x H 1,9	30,00
2 m, 230V surface track	564.SUR230V200	surface	L 200 x W 7,3 x H 2,6	52,00
article	code	note	dimensions (cm)	€
Track feeding joint "I"	564.E	surface	L 7,9 x W 3,5x H 1,9	4,00

Accessories



article	code	finishes	dimensions (cm)	€
Ceiling attachment	500.DEC2	C2	Ø 2 x H 1,4	12,00
Ceiling attachment	500.DEC74	C74	Ø 2 x H 1,4	12,00

article	code	finishes	dimensions (cm)	€
Steel cable kit	500.STEEL125	chrome	L 125	12,00
Steel cable kit	500.STEEL200	chrome	L 200	14,00
Steel cable kit	500.STEEL300	chrome	L 300	17,00

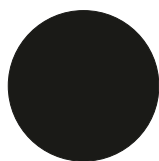
article	code	dimensions (cm)	€/mt
Fabric cable	500.CABTEX	100	3,00
PVC cable	500.CABPVC	100	2,00

article	code	dimensions (cm)	for	note	€
Junction kit C2	500.JUNC2	Ø 1,4 x H 2,2	Nabila, Osman	2x junction + 2m PVC cable	25,00

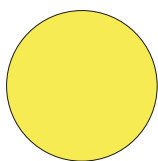
article	code	dimensions (cm)	for	finishes	€
Counterweight + steel cable	500.CW	Ø 4 x H 15	Linfa	C42/C70/C72	120,00

article	code	finishes	dimensions (cm)	€
TOUY presentation tool	500.SAMPLES	18	L 94,5 x H 16	93,00

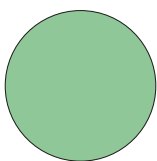
Materials and Finishes



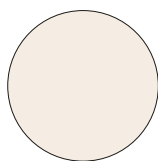
C2
Matte black



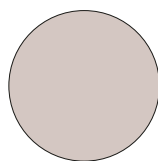
C3
Yellow Lemon



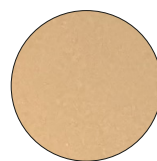
C9
Mint Green



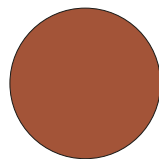
C22
Beige



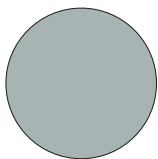
C23
Eggshell



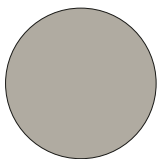
C24
Hot Gold



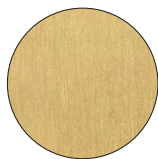
C25
Terracotta



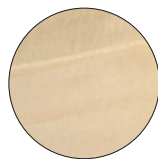
C26
Greenish-grey



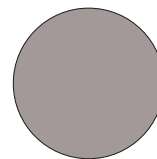
C30
Light grey



C41
Brushed brass



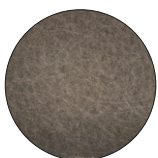
C42
Satin brass



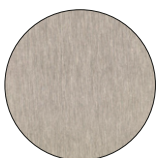
C46
Sand grey



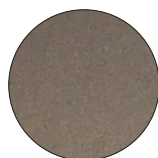
C48
Black chrome



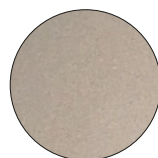
C50
Pewter



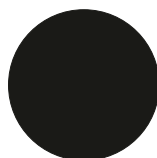
C68
Satin nickel



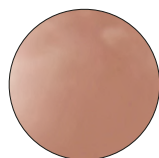
C70
Titanium



C72
Opaque nickel



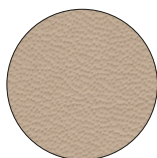
C74
Sand black



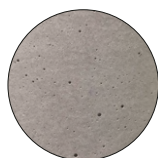
C99
Copper



L01
Two-tone leather



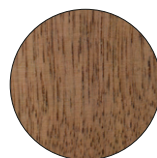
L02
Beige leather



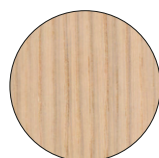
M01
Concrete



W01
Ash



W02
Canaletto walnut



W03
Light oak



N01
Powder nylon

The colour-code under each image is related to the colour of the photographed article.

The available standard colours are shown on technical info pages. The colours of the illustrated articles are reproduced the most faithfully possible, in line with the technical limits of printing and small variations of tone are possible.

Custom colors are available upon request across all collections at an additional cost.

GENERAL INFORMATION

This price list, valid from the first of March 2024 replaces and cancels all previous editions. The articles not indicated in it are to be considered eliminated. TOOY reserves the right to remove, at any time and without public notice, any products from the collection and, without prejudice to the essential characteristics of the models, to make price changes, particular changes that it considers convenient for the purpose of improvement or for reasons of character constructive or commercial, especially for LED sources.

Information concerning luminous flux/power consumption are expressed in nominal values. In case of discrepancy between the information contained in the printed materials and the website, this latter shall prevail (www.tooy.it).

Dimensions are indicated in centimetres or millimeters regarding technical drawings. Luminaires are normally supplied without light sources, except when otherwise indicated. The assembly and maintenance instructions are included in the packaging.

The details of materials, finishes and colors concern only the main visible parts of the products. Products with anodized finishes could show different colour shades due to the industrial galvanic process and shades have to be considered as aesthetic product elements. Polishing process is hand-made. Shades are therefore due to this manual process. Dimensions of products made through deformations of extrusions, could be subject to changes of ± 1 cm. As blown glass is produced by traditional craft techniques, its thickness, colour and finishes are subject to variations, a feature that makes each piece unique.

The terms eventually applied to the order are purely indicative.

Failure to comply with them will not give rise to any kind of penalties nor will it give rise to claims for damages.

The goods travel at the risk of the customer, even if sold carriage free. The seller is not liable for damages suffered by the goods during transport, since they must be disputed to the carrier. After eight days from receipt of the goods, no claims or returns will be accepted; we do not accept any return of goods without our prior authorization. The delay in payments gives us the right to cancel the order and causes the loss of the discount. For payments made after the deadline, commercial interests will be calculated with the related expenses incurred. TOOY reserves the right to carry out orders to deliveries distributed under the same conditions provided for the original order.

The court of Amandola is competent for any dispute.

For technical requirements of functionality and aesthetics, the manufacturer and seller can, at any time and without the obligation to notify the Customer, make changes to the items presented in this catalogue.

TOOY srl does not assume responsibility for any typing errors, for changes due to technological progress or regulatory provisions. The prices indicated are VAT excluded.



A norma del D.Lgs. 151/2005 la GIBAS s.r.l. è iscritta al registro produttori AEETEL della provincia di Fermo con numero IT08010000000062 e addebiterà l'eco contributo RAEE nella misura stabilita dal consorzio di smaltimento ECOLIGHT a cui aderisce senza esporlo in fattura.



CE All the products described in this catalog comply with the essential requirements of the EEC directives

TOOY

Via Alessandro Volta, 7
63857 Amandola (FM) - ITALY
(+39) 0736.840162
www.tooy.it
info@tooy.it

